

PRODUCT DESCRIPTION CODE :

10155500-A1XXK LF

CODING TYPE :
 A = CODING A
 B = CODING B
 C = CODING C

RoHS COMPATIBLE, SEE NOTE 3

FOR CUSTOMER CODE :
 BLANK = GENERAL USE

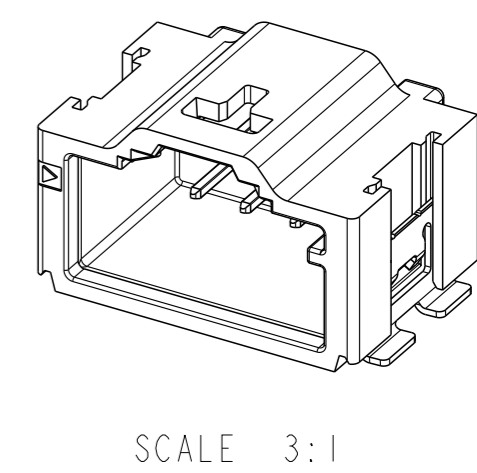
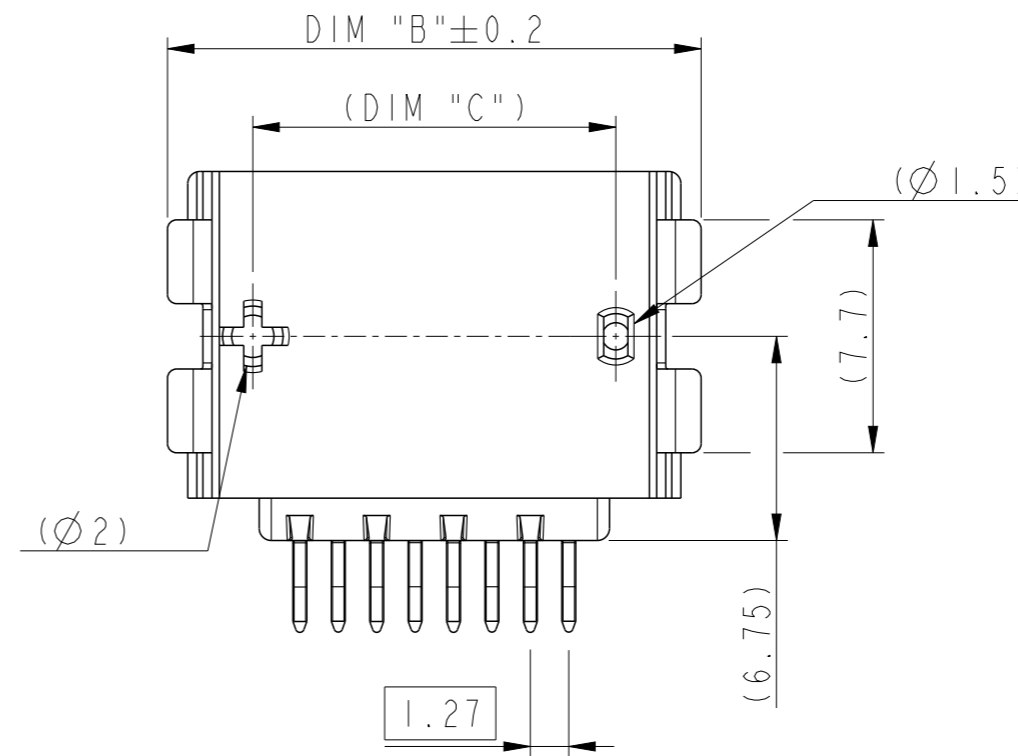
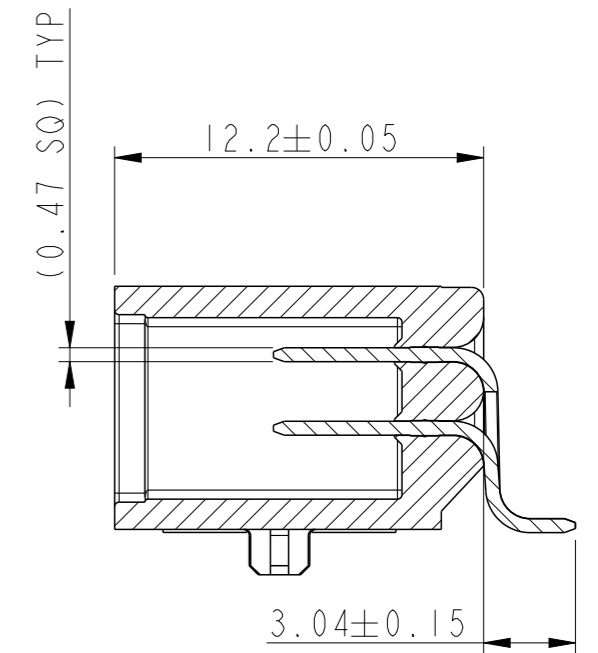
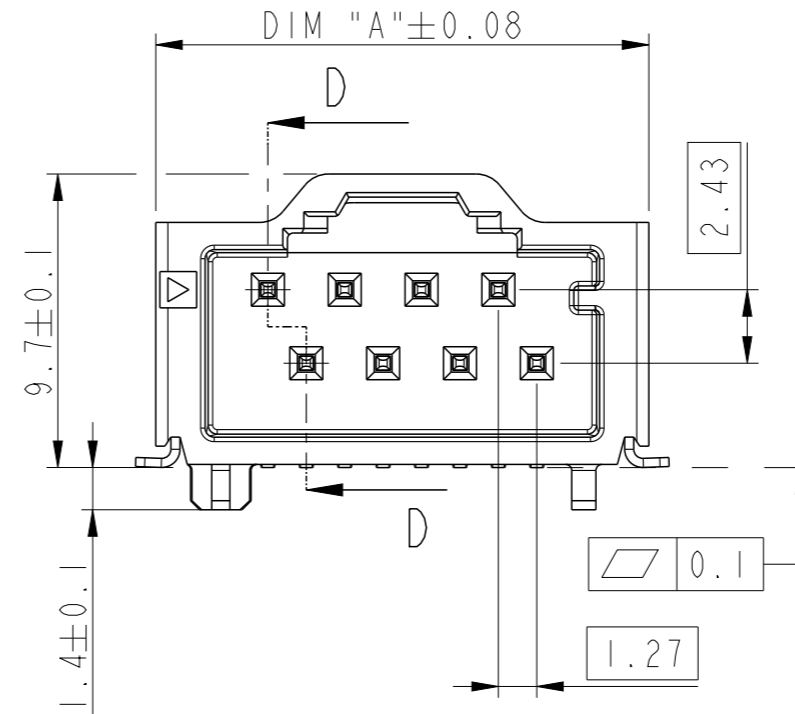
PACKAGING :
 K = TAPE & REEL

NUMBER OF POSITIONS : 02 TO 16

PLATING :
 1 = 3µm MIN MATTE TIN (PREPLATED)
 2 = 3µm MIN MATTE TIN (POST-PLATED)
 3 = 0.76µm MIN GOLD (CONTACT AREA)
 ALL OVER 1.27µm MIN NICKEL UNDERLAYER

NOTES:

- 1 - MATERIAL:
 HOUSING : HIGH TEMPERATURE THERMOPLASTIC
 COLOR BLACK UL94 V-0
 PIN : HIGH CURRENT COPPER ALLOY
- 2 - TO BE MATED WITH MINITEK MicroSpaceXS RECEPTACLE SERIES 10155504
- 3 - RoHS COMPATIBLE PRODUCT SPECIFICATIONS
 - a - PLATING:
 "LF" MEANS THE PRODUCT IS LEAD FREE,
 3µm MINIMUM MATTE TIN OVER 1.27µm MINIMUM NICKEL UNDERPLATE.
 - b - MANUFACTURING PROCESS COMPATIBILITY:
 THE HOUSING WILL WITHSTAND EXPOSURE TO 260°C PEAK TEMPERATURE FOR 30 SECONDS MAX IN A CONVECTION, INFRA-RED OR VAPOR PHASE OR REFLOW OVEN.
 - c - LABELLING :
 MEETS PACKAGING SPECS AS PER GS-14-920
 - d - LEGAL STATEMENT :
 SEE GS-47-0004.

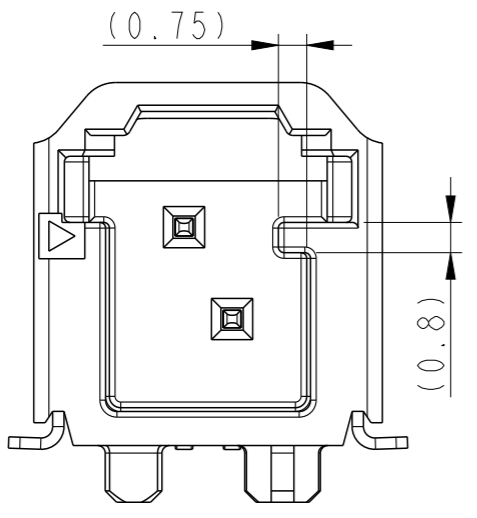


spec ref	GS-12-1634	dr	Sawanth, Ambaa	2020/06/01	projection	mm	size	A3	scale	4:1		
tolerance std	ISO 406 ISO 1101	eng	Cyril Jeune	2020/06/26			ecn no		-			
TOLERANCES UNLESS OTHERWISE SPECIFIED		chr	Hyppias, Arnau	2020/06/26			rel level		Released			
surface	linear	0.X	±0.3		product family		-		dwg no	10155500	rev	A
		0.XX	±0.1		MINITEK MicroSpaceXS		-		Product - Customer Drw		sheet 1 of 3	
	angular	0°	±2°		cat. no.	-		-		-		

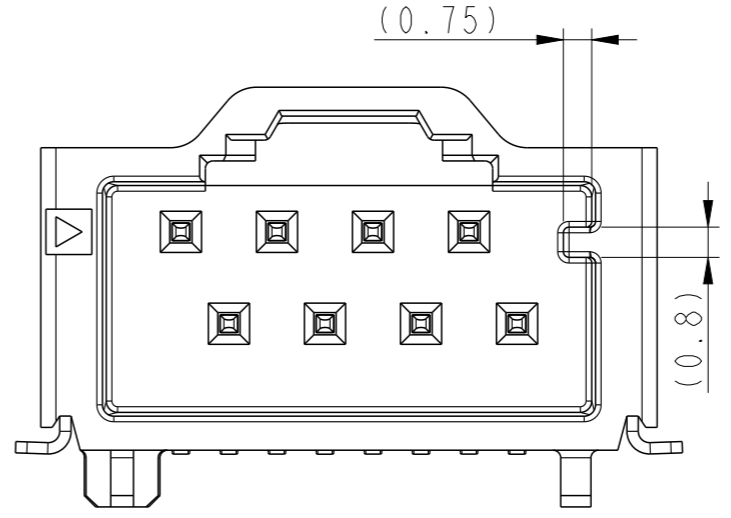
Amphenol FCI

© 2016 AFCI

COD A VIEWS AND DIMENSIONS

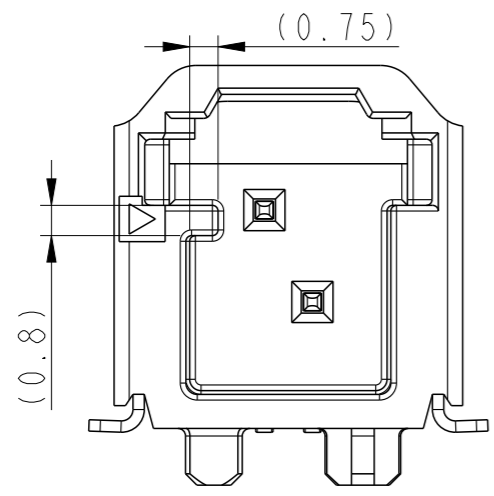


FOR 2 POS

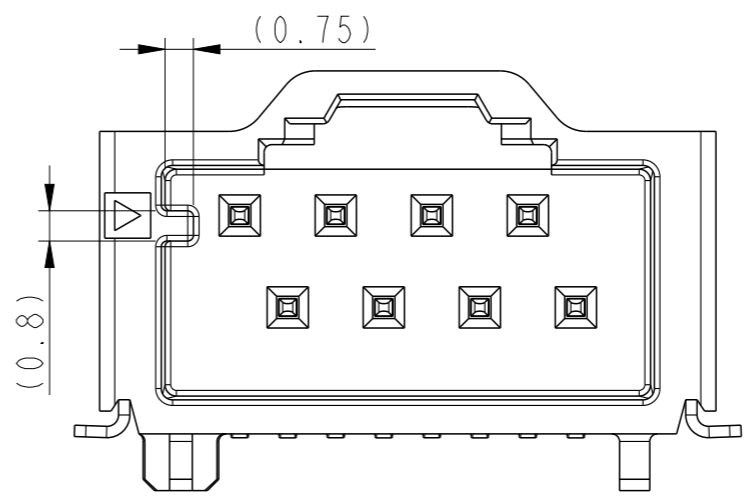


FOR 3 TO 16 POS

COD B VIEWS AND DIMENSIONS

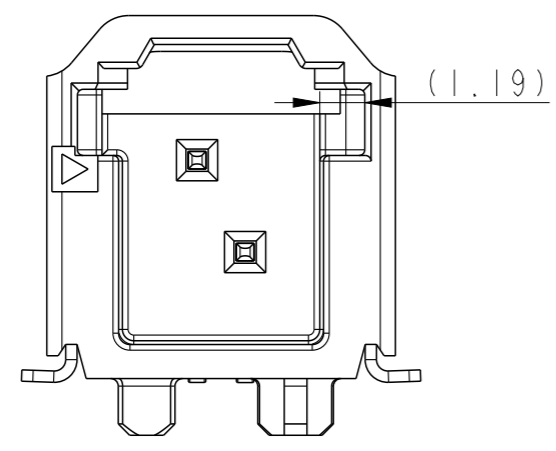


FOR 2 POS

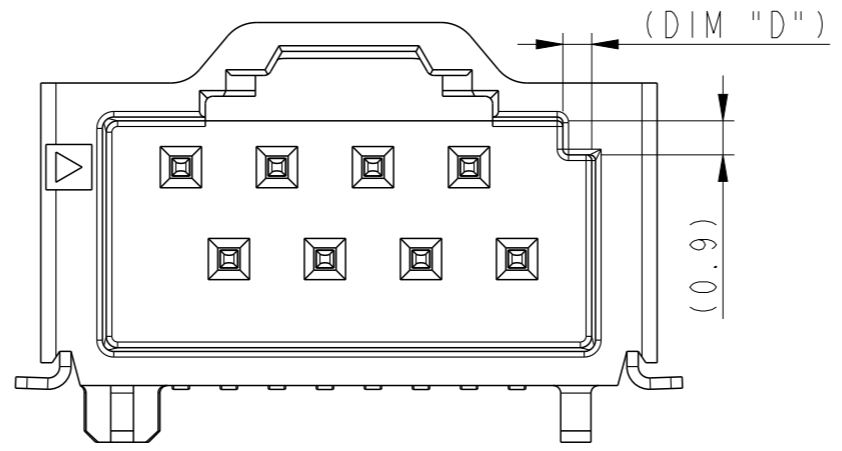


FOR 3 TO 16 POS

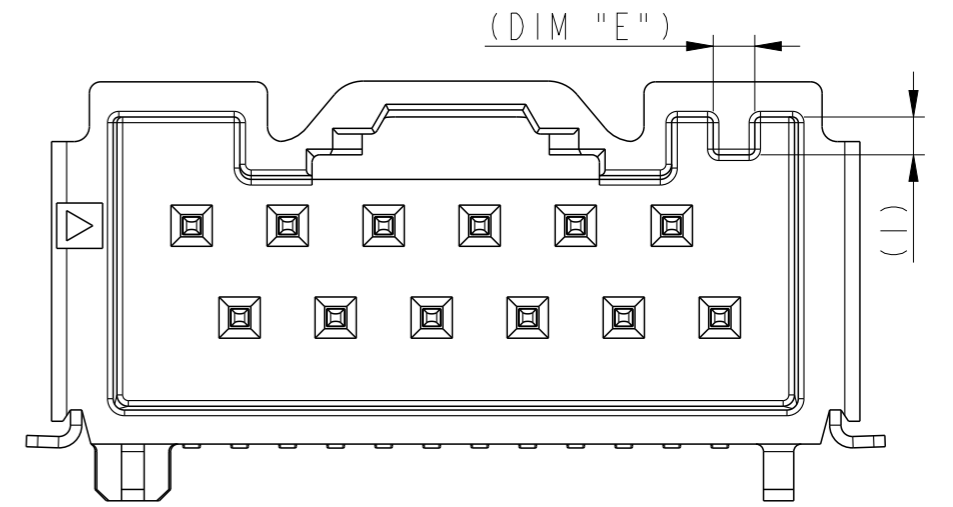
COD C VIEWS AND DIMENSIONS



FOR 2 POS



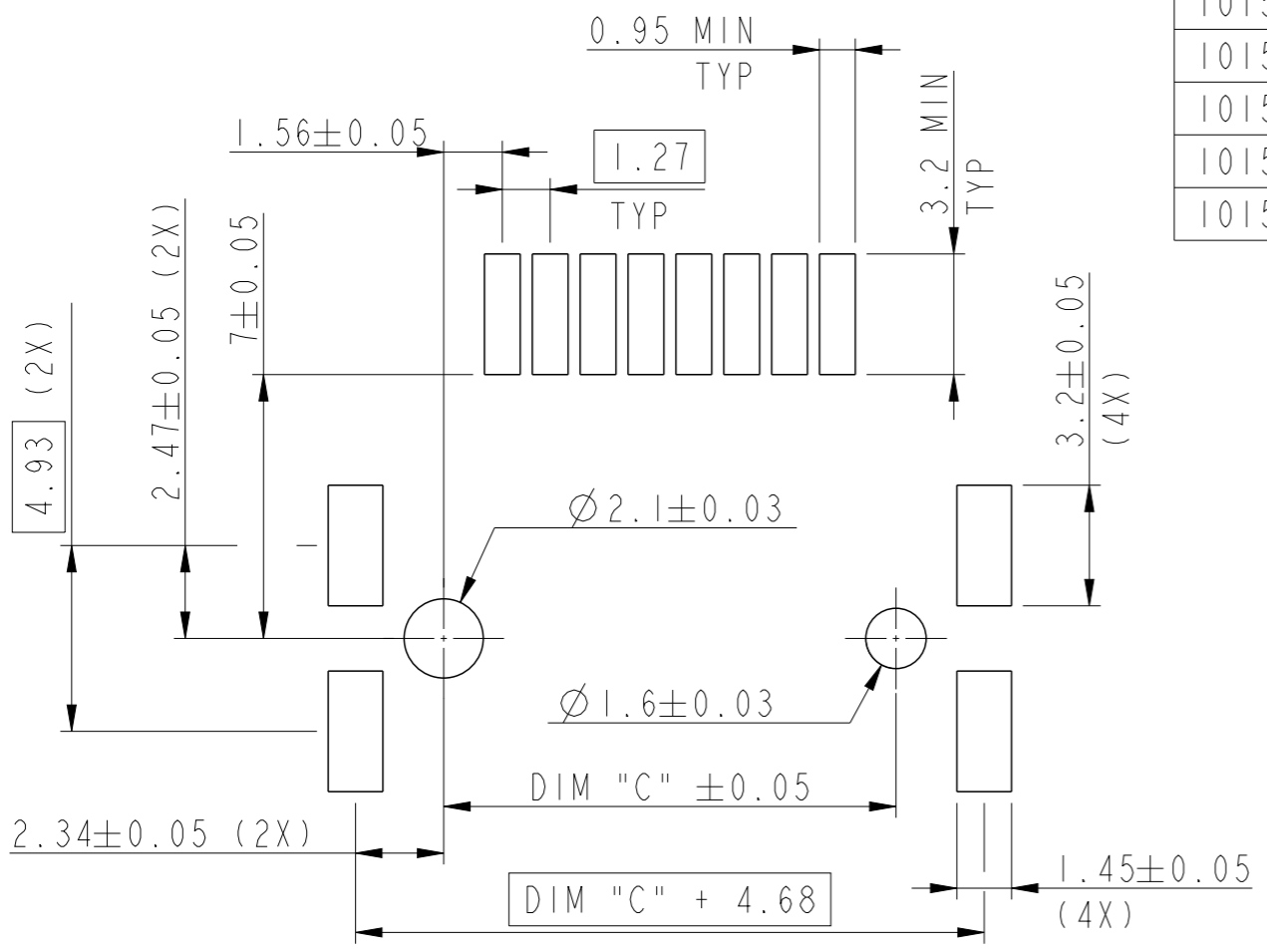
FOR 3 TO 11 POS



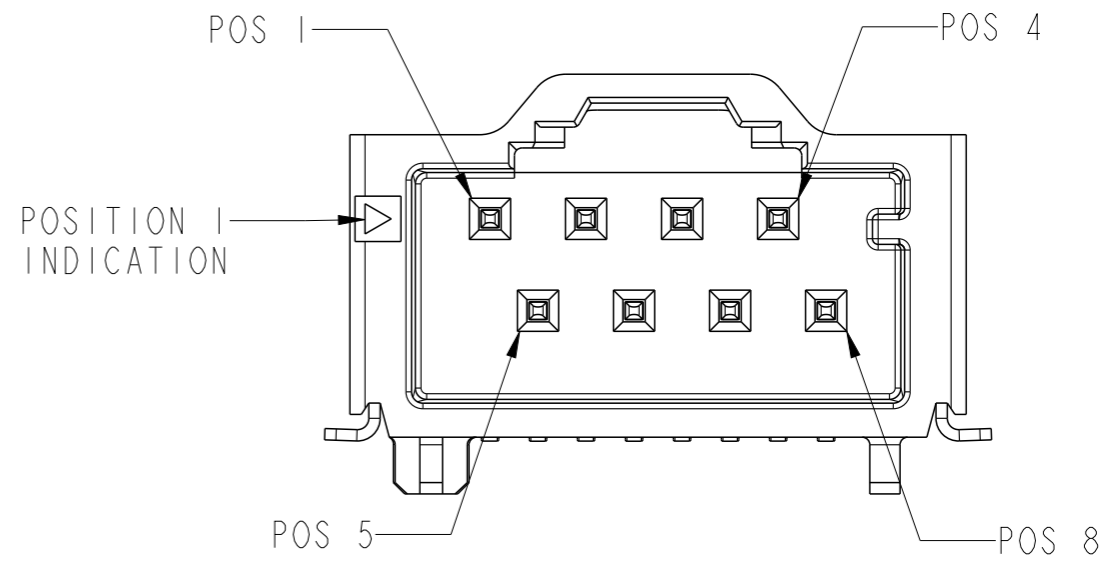
FOR 12 TO 16 POS

spec ref	GS-12-1634	dr	Sawanth, Ambaa	2020/06/01	projection	mm	size	A3	scale	5:1
tolerance std	ISO 406 ISO 1101	eng	Cyril Jeune	2020/06/26			ecn no	-	rel level	Released
TOLERANCES UNLESS OTHERWISE SPECIFIED		chr	Hyppias, Arnau	2020/06/26			product family	-	rel level	Released
surface	linear	0.X	±0.3		HEADER ASSY STG TOP LATCH MINITEK MicroSpaceXS		dwg no	10155500	rev	A
		0.XX	±0.1		cat. no.	-	Product - Customer Drw	sheet 2 of 3		
ISO 1302	angular	0°	±2°		STATUS:Released		Printed: Jun 26, 2020			

PART NO.	NO. OF POSN	DIM "A"	DIM "B"	DIM "C"	DIM "D"	DIM "E"
10155500-A102KLF	02	09.22	10.56	03.94	N/A	N/A
10155500-A103KLF	03	09.95	11.29	04.97	0.59	N/A
10155500-A104KLF	04	11.22	12.56	06.92	0.76	N/A
10155500-A105KLF	05	12.49	13.83	08.19	0.72	N/A
10155500-A106KLF	06	13.76	15.10	09.46	0.76	N/A
10155500-A107KLF	07	15.03	16.37	10.73	0.76	N/A
10155500-A108KLF	08	16.30	17.64	12.00	0.76	N/A
10155500-A109KLF	09	17.57	18.91	13.27	0.76	N/A
10155500-A110KLF	10	18.84	20.18	14.54	0.76	N/A
10155500-A111KLF	11	20.11	21.45	15.81	0.76	N/A
10155500-A112KLF	12	21.38	22.72	17.08	N/A	1.10
10155500-A113KLF	13	22.65	23.99	18.35	N/A	1.10
10155500-A114KLF	14	23.92	25.26	19.62	N/A	1.50
10155500-A115KLF	15	25.19	26.53	20.89	N/A	1.50
10155500-A116KLF	16	26.46	27.80	22.16	N/A	1.50



RECOMMENDED PCB LAYOUT



POSITION NUMBER INDICATION FOR 8POS VERSION

spec ref	GS-12-1634	dr	Sawanth, Ambaa	2020/06/01	projection	mm	size	A3	scale	5:1
tolerance std	ISO 406 ISO 1101	eng	Cyril Jeune	2020/06/26			ecn no		rel level	
TOLERANCES UNLESS OTHERWISE SPECIFIED		chr	Hyppias, Arnau	2020/06/26			-		Released	
surface	linear	appr	Aymeric Soudy	2020/06/26	product family	-		-		
ISO 1302	angular			Amphenol FCI		HEADER ASSY STG TOP LATCH MINITEK MicroSpaceXS		dwg no 10155500	rev A	
		cat. no.	-		Product - Customer Drw		sheet 3 of 3			