

ITEM	PART#	DESCRIPTION	QTY	UOM
A,B	39012025	Mini Fit Jr 2CKT RECP. HSG 555702R210	2	PC
C	39000089	MiniFit Term Crp Fem Chn Bs 30Au 16awg	4	PC
D	--	PAPER PRINTED PAPER WHITE	1	PC

FROM	TO	DESCRIPTION	COLOR
A1	B1	1X16AWG DISC PVC BK UL1015 HOOKUP	BLACK
A2	B2	1X16AWG DISC PVC BK UL1015 HOOKUP	BLACK

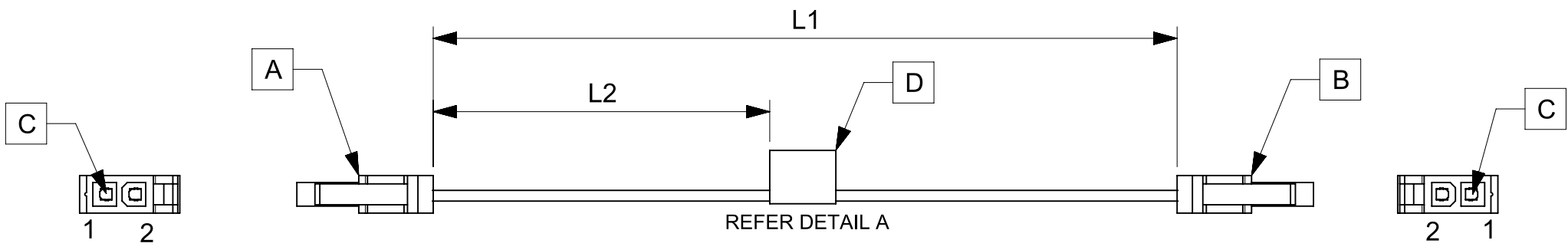


TABLE			
PART NUMBER	L1	L2	TITLE
2153252021	150±8	63 REF	MINIFIT JR DR R-R 2 CIRCUIT 150MM Au
2153252022	300±10	138 REF	MINIFIT JR DR R-R 2 CIRCUIT 300MM Au
2153252023	600±10	288 REF	MINIFIT JR DR R-R 2 CIRCUIT 600MM Au

NOTES

1. Cable assembly must pass 100% continuity and polarity test.
2. Connector view shown is from mating side.
3. Label text must be 2mm max. in height with Arial font.
4. Label must be wrapped in flag type on a single cable.

MOLEX P/N
MOLEX
BATCH WK/YR
DETAIL A

REVISION			
DATE	REV	DESCRIPTION	CHANGER
2020/03/09	A	INITIAL RELEASE	ARAJU

FUNCTIONAL SYMBOLS $\frac{F}{A} = 0$ $\frac{F}{E} = 0$ $\frac{F}{P} = 0$	DIMENSION UNITS mm		SCALE NTS	CURRENT REV DESC: EC NO: 638379 DRWN: ARAJU 2020/03/09 CHK'D: RDESAI01 2020/05/28 APPR: RDESAI01 2020/05/28							
	GENERAL TOLERANCES (UNLESS SPECIFIED) ANGULAR TOL ± ° 4 PLACES ± 3 PLACES ± 2 PLACES ± 1 PLACE ± 0 PLACES ±				INITIAL REVISION: DRWN: ARAJU 2020/03/09 APPR: RDESAI01 2020/05/28						PRODUCT CUSTOMER DRAWING
	DRAFT WHERE APPLICABLE MUST REMAIN WITHIN DIMENSIONS				THIRD ANGLE PROJECTION 	DRAWING A4-SIZE	SERIES 215325	MATERIAL NUMBER SEE TABLE	CUSTOMER GENERAL MARKET	SHEET NUMBER 1 OF 1	
	RELEASE STATUS P1		RELEASE DATE 2020/05/28	07:59:23	DOCUMENT NUMBER 2153252021		DOC TYPE PSD	DOC PART 000	REVISION A		