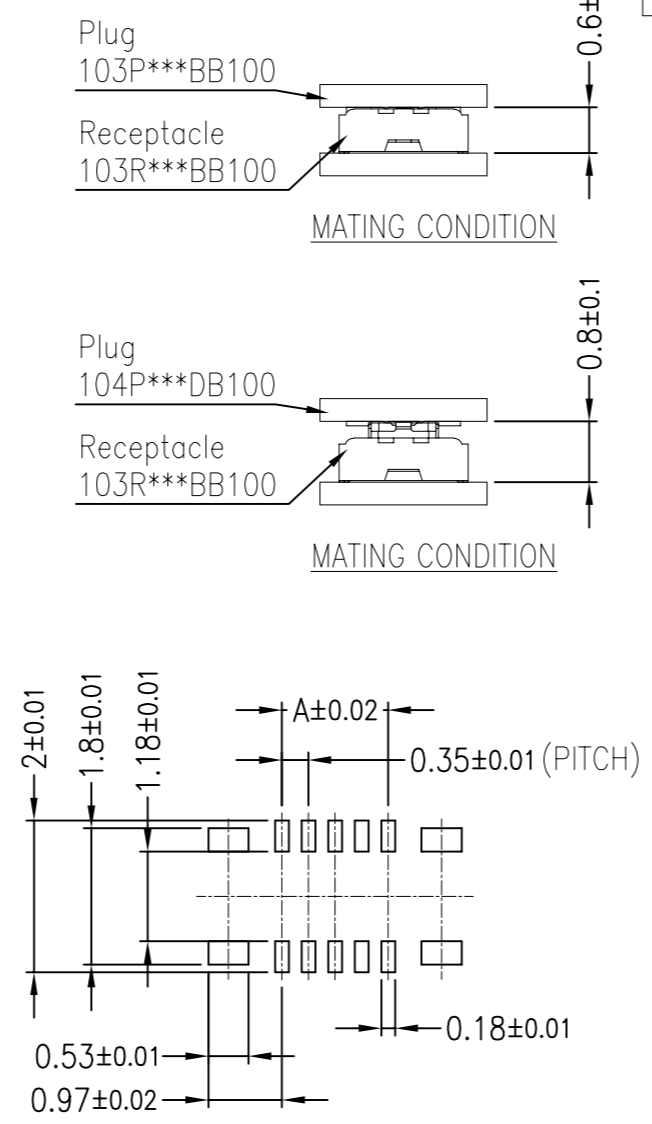
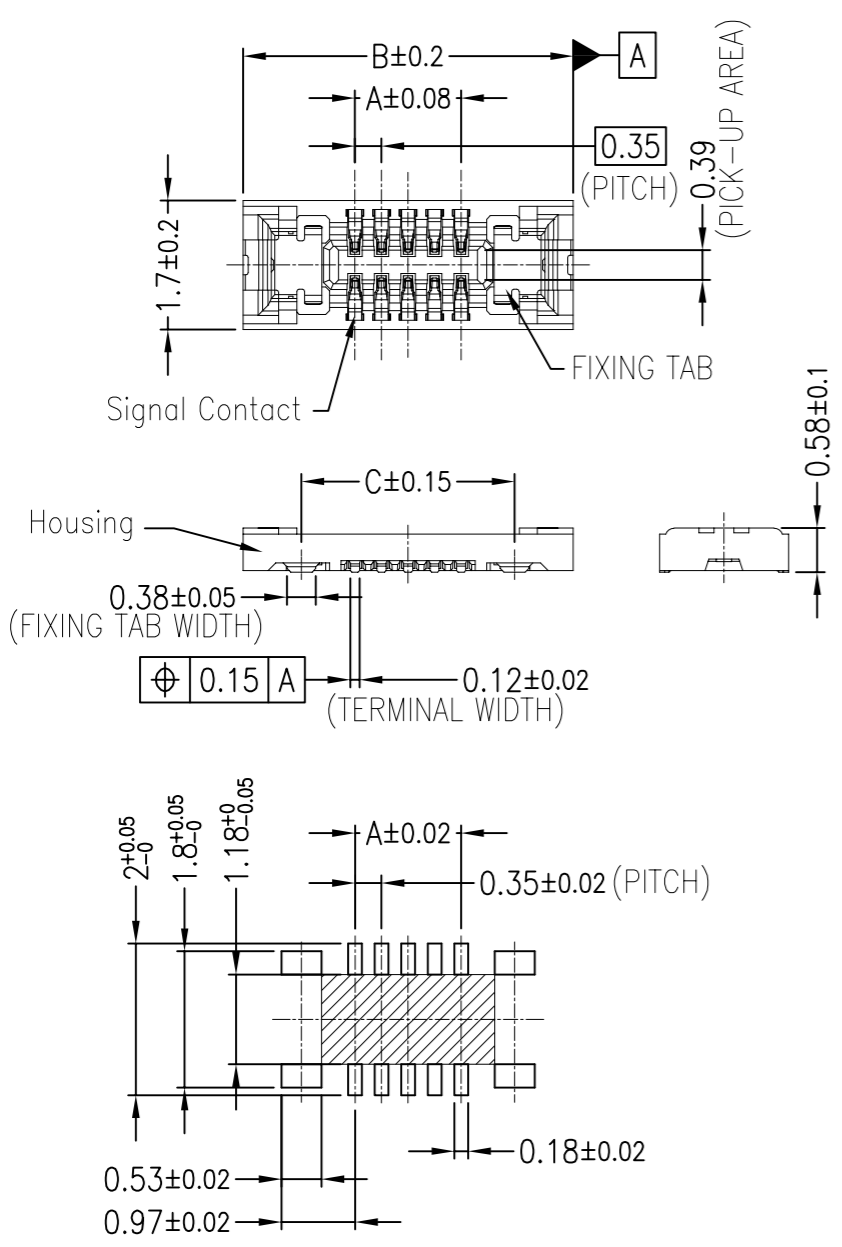
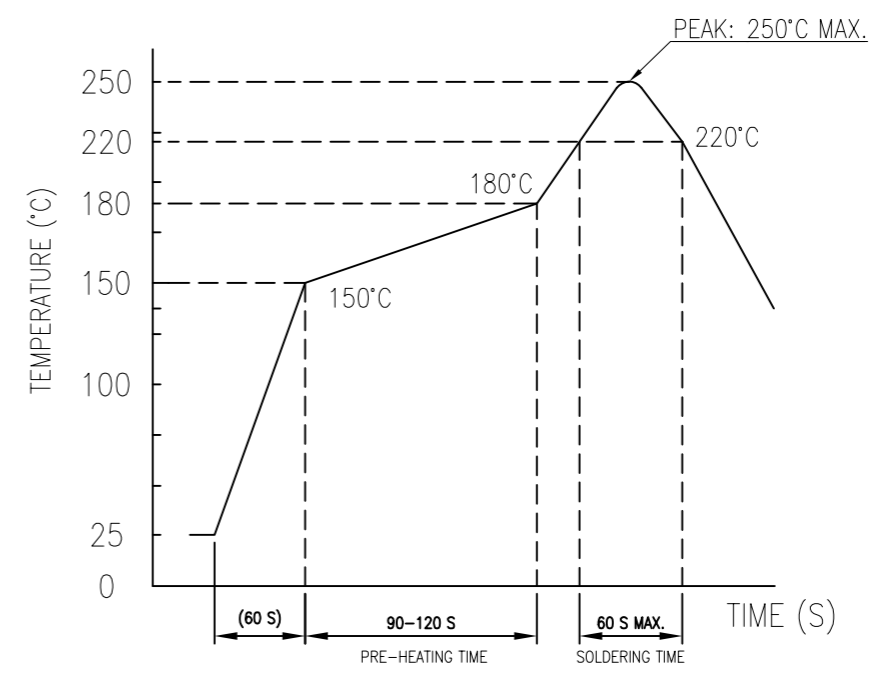


This document is the property of and embodies CONFIDENTIAL and PROPRIETARY information of AOR. No part of the information shown on this document may be used in any way or disclosed to others without the written consent of AOR. © 2019 AOR



REV.	ECR/ECN No.	DESCRIPTION	DRAWN/DATE	CHECKED/DATE	APPROVED/DATE
X1		NEW RELEASE	Hanson 02/05/'20	Sam 02/05/'20	Leo 02/05/'20

8. RECOMMENDED REFLOW TEMPERATURE PROFILE USING LEAD-FREE SOLDER PASTE.



RECOMMENDED P.W.B. PATTERN LAYOUT
HATCHING AREA : PATTERN AND SOLDER PROHIBITED AREA

RECOMMENDED STENCIL MASK LAYOUT
RECOMMENDED STENCIL THICKNESS : T=0.08MM

- NOTE
- MATERIALS
HOUSING : LCP UL94-V0 (COLOR BLACK)
SIGNAL CONTACT : COPPER ALLOY
FIXING TAB : COPPER ALLOY
 - PLATING
SIGNAL CONTACT : Au FLASH OVER Ni UNDER PLATING (Ni BARRIER, LUBRICANT)
FIXING TAB : Au FLASH OVER Ni UNDER PLATING (ONLY CONTACT AND TAIL AREA)
 - MATE WITH: 103P***BB100 / 104P***DB100
 - CO-PLANARITY FOR SIGNAL CONTACT TERMINALS AND FIXING TAB MUST BE 0.08mm MAX.
 - THIS PRODUCT MEETS RoHS AND SONY SS-00259.
 - THE HOUSING WILL WITHSTAND EXPOSURE TO 250°C PEAK TEMPERATURE FOR 10SECONDS IN A REFLOW SOLDERING OVEN.
 - THE DOCUMENT MAY BE CHANGED WITHOUT PRIOR NOTICE.

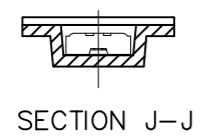
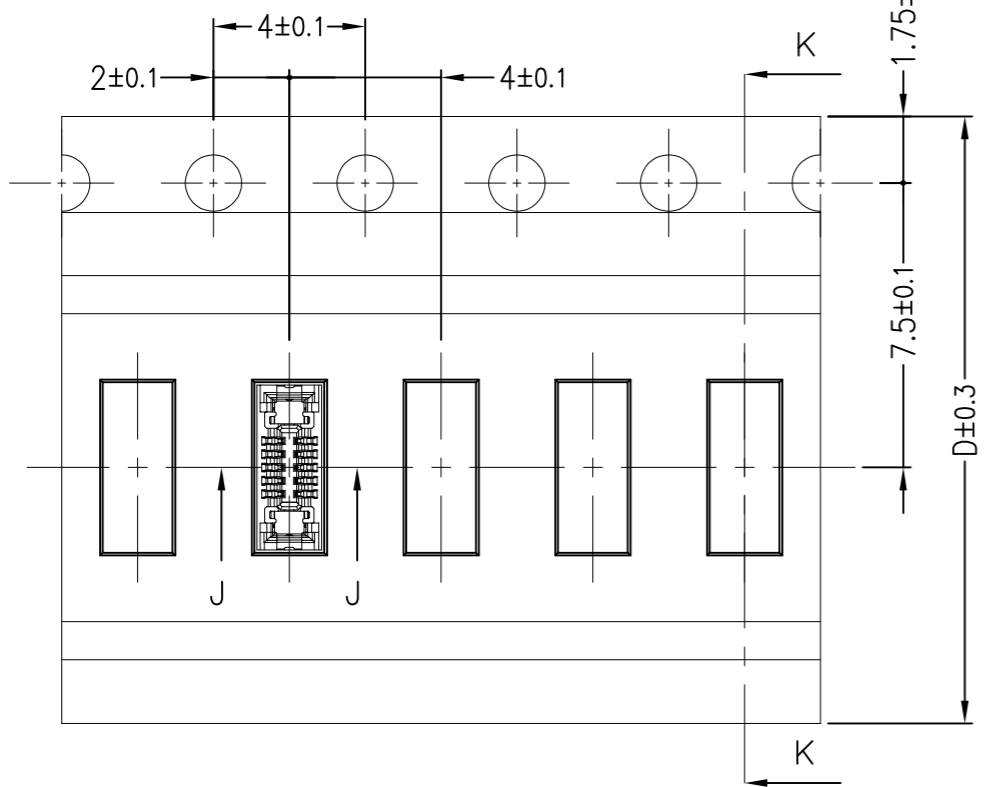
24	9.81	11.35	8.40	103R050BB100	50 pin
24	7.01	8.55	5.60	103R034BB100	34 pin
16	6.31	7.85	4.90	103R030BB100	30 pin
16	5.26	6.80	3.85	103R024BB100	24 pin
16	3.86	5.40	2.45	103R016BB100	16 pin
16	3.51	5.05	2.10	103R014BB100	14 pin
16	2.81	4.35	1.40	103R010BB100	10 pin
16	2.11	3.65	0.70	103R006BB100	6 pin
16	1.76	3.30	0.35	103R004BB100	4 pin
D	C	B	A	Part Number	Pos.

UNLESS OTHERWISE SPECIFIED TOLERANCES		ANGLE OF PROJECTION		Amphenol AORORA Amphenol Aorora Technology (Huizhou) Co.,Ltd	
X.	±0.30	X. °	± 3'	DOC TYP Customer Drw TITLE: Customer Drw For 0.35mm Pitch SH=0.6/0.8mm BTB Connector 103 Series Receptacle Assembly SIZE PART NUMBER: A3 103R***BB100 REV. X1 SCALE 10:1 UNIT : mm SHEET 1 OF 2	
X.X	±0.25	X.X °	± 2'		
X.XX	±0.20	X.XX °	± 1'		
X.XXX	±0.15	X.XXX °	± 1'		
LINEAR DIMS		ANGLES DIMS		DRAWN DATE Hanson 2020-02-05	
DWG NO.: A-S0590		DESIGN DATE Sam 2020-02-05		CHECKED DATE Sam 2020-02-05	
MATERIAL SEE NOTES		APPROVED DATE Leo 2020-02-05		REV. X1	
FINISHED SEE NOTES				SCALE 10:1 UNIT : mm SHEET 1 OF 2	

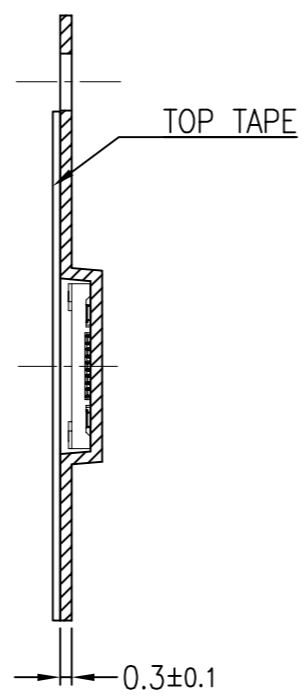
This document is the property of and embodies CONFIDENTIAL and PROPRIETARY information of AOR. No part of the information shown on this document may be used in any way or disclosed to others without the written consent of AOR. © 2019 AOR



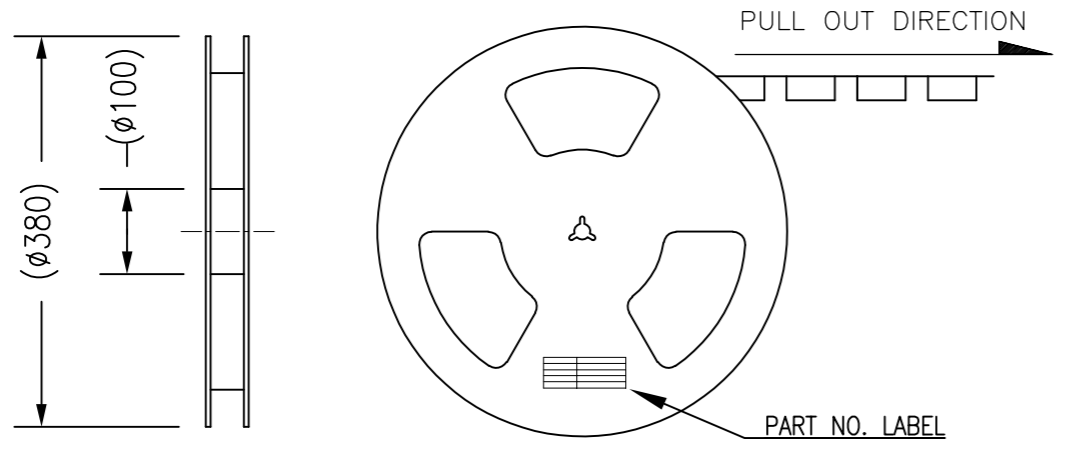
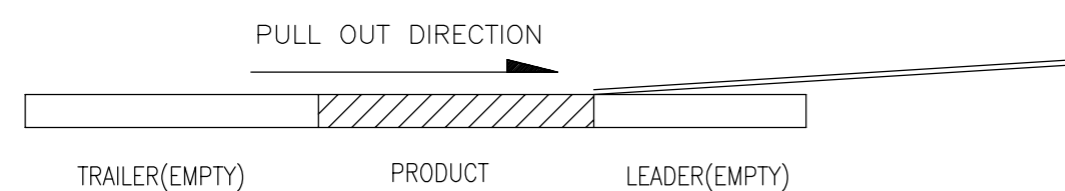
(ACCUMULATIVE PITCH: 40±0.2)



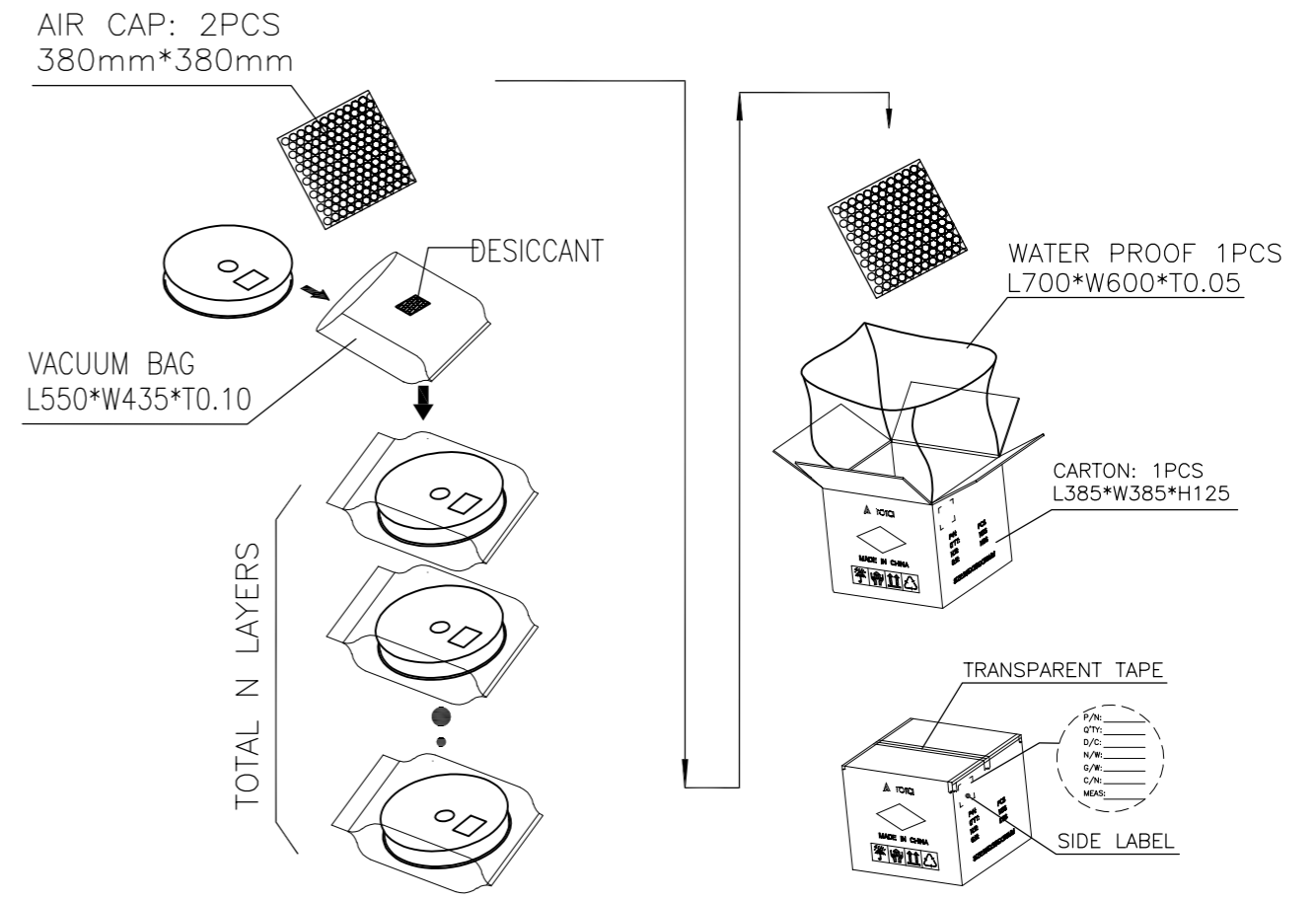
PULL OUT DIRECTION



SECTION K-K



REV.	ECR/ECN No.	DESCRIPTION	DRAWN/DATE	CHECKED/DATE	APPROVED/DATE
X1		NEW RELEASE	Hanson 02/05/'20	Sam 02/05/'20	Leo 02/05/'20



- NOTES:
- MATERIAL:
 - CARRIER TAPE: HIPS, T=0.3, CLEAR;
 - REEL: HIPS BLUE;
 - SHIM: PE, CLEAR;
 - PRIMARY PACKING: 15000PCS/REEL;
 - SECONDARY PACKING: "5" REELS/CARTON;
("75000"=5*15000/CARTON)
 - PEELING FORCE: 0.1N~0.7N (10~70gf);
PEELING ANGLE: 165°~180°;
PEELING SPEED: 300mm/minutes.

UNLESS OTHERWISE SPECIFIED TOLERANCES				ANGLE OF PROJECTION		Amphenol AORORA	
X.	±0.30	X. °	± 5'			Amphenol Aorora Technology (Huizhou) Co.,Ltd	
X.X	±0.25	X.X °	± 4'				
X.XX	±0.20	X.XX °	± 3'	DOC TYP Emboss Package		TITLE: Customer Drw For 0.35mm Pitch SH=0.6/0.8mm BTB Connector 103 Series Receptacle Assembly	
X.XXX	±0.15	X.XXX °	± 2'				
LINEAR DIMS		ANGLES DIMS		DRAWN DATE	Hanson	SIZE PART NUMBER: X1	
DWG NO.: A-S0590				DATE	2020-02-05		
MATERIAL		SEE NOTES		DESIGN DATE	Sam	A3 103R***BB100	
FINISHED		SEE NOTES		DATE	2020-02-05		
				CHECKED DATE	Sam	SCALE 1:1 UNIT: mm SHEET 2 OF 2	
				DATE	2020-02-05		
				APPROVED DATE	Leo		
				DATE	2020-02-05		