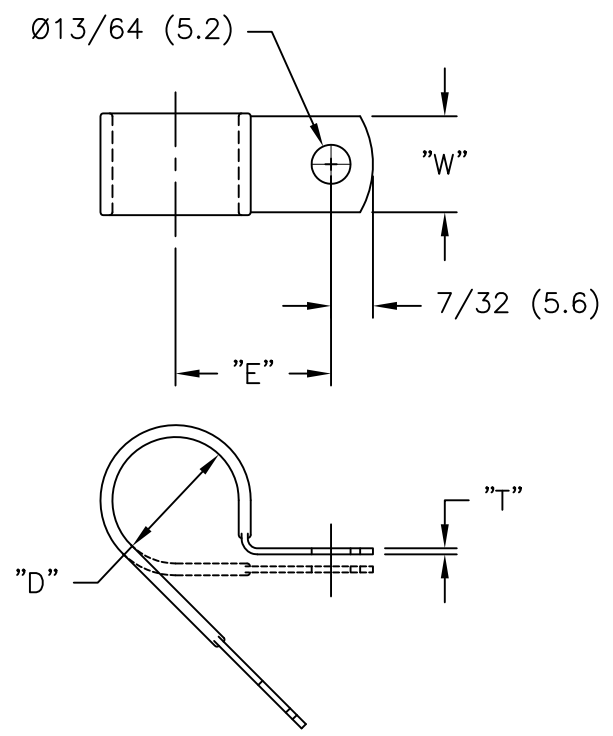


PART NO.	HOLDING DIA. "D"	"E" REF.	"T"	"W"
NE3	3/16 (4.8)	.50 (12.7)	1/32 (0.8)	3/8 (9.5)
NE4	1/4 (6.4)	.53 (13.5)		
NE5	5/16 (7.9)	.56 (14.2)		
NE6	3/8 (9.5)	.59 (15.0)		
NE7	7/16 (11.1)	.62 (15.7)		
NE8	1/2 (12.7)	.65 (16.5)		
NE9	9/16 (14.3)	.75 (19.1)		
NE10	5/8 (15.9)	.78 (19.8)		
NE11	11/16 (17.5)	.81 (20.6)		
NE12	3/4 (19.1)	.84 (21.3)		
NE14	7/8 (22.2)	.90 (22.9)		
NE16	1 (25.4)	.96 (24.4)		
NE18	1-1/8 (28.6)	1.05 (26.7)		
NE20	1-1/4 (31.8)	1.11 (28.2)		



NOTES:

- MAT'L: ALUMINUM ALLOY 5052 H-32 (RMS-199).
- PLASTISOL DIPPED (RMS-200), NOMINAL THICKNESS 1/32 (0.8).
- COLOR: BLACK.

TITLE: CABLE CLAMPS, PLASTISOL DIPPED		DWG IN IN (MM)		FINAL		PRINT TYPE	
TOLERANCES UNLESS NOTED .XX=±.010 .XXX=±.005 FRAC=±1/64 ANG=±1'		FILE # NE	DWN: P.B.	APP:	PART #		CA
		MAT'L: SEE NOTES	DT: 01-18-95	DT:	NE SERIES		
		RE: RICHCO, INC.	RICHCO INC. PO BOX 804238, CHICAGO, 60680 (773) 539-4060				
D	SEE CO 200143 FOR CHANGES	SK 03.25.08					
C	SEE ECN #927 FOR CHANGES	SK 01.31.05					
B	DRAWING UPDATED AND CHANGED FILE NO.	SM 09.26.01					
A	CONVERTED TO ACAD	PB 01.18.95					
REV	DESCRIPTION	ENGR DATE					