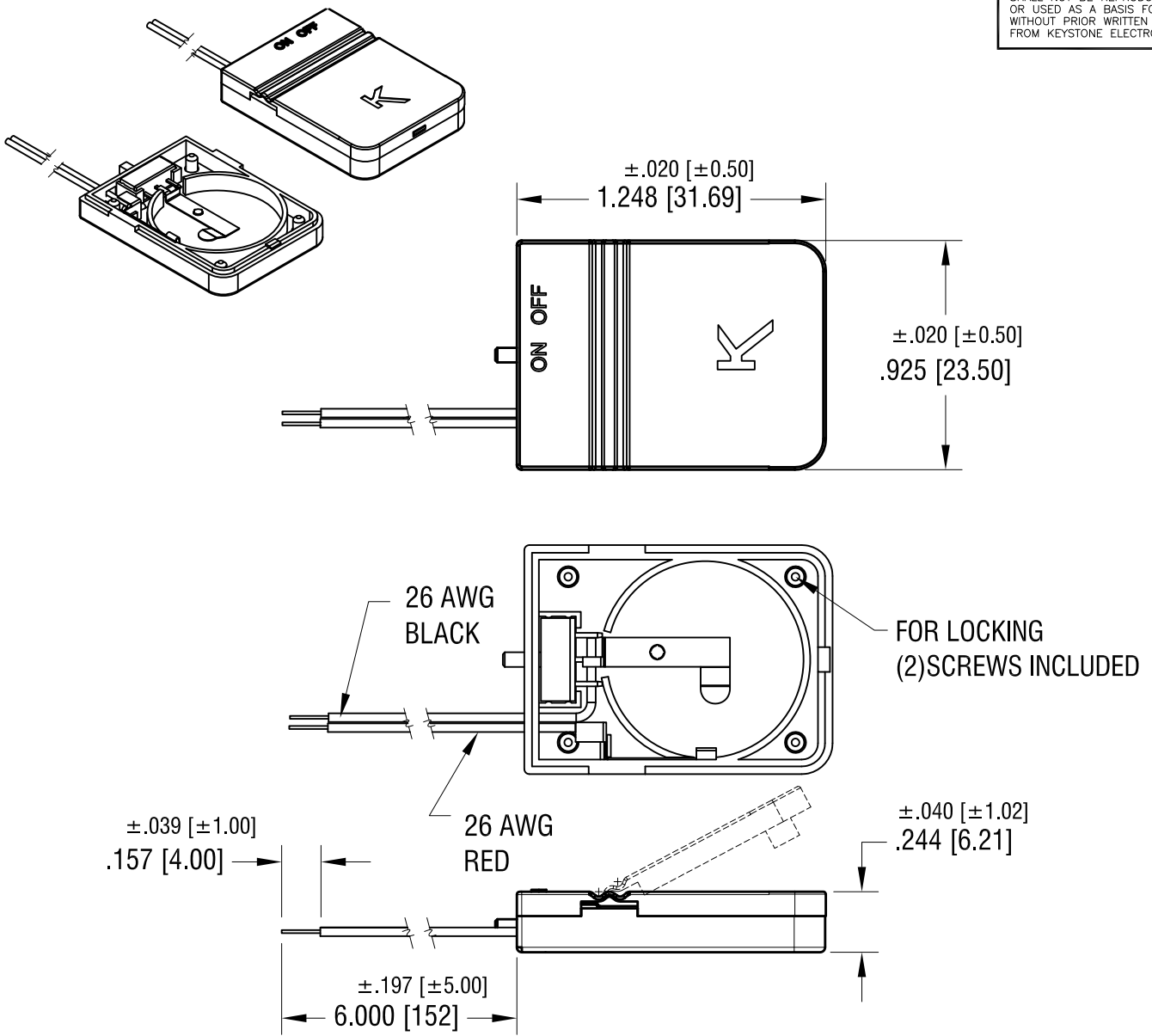


THIS DOCUMENT IS THE PROPERTY OF KEYSTONE ELECTRONICS CORP. AND SHALL NOT BE REPRODUCED, DISTRIBUTED OR USED AS A BASIS FOR MANUFACTURE WITHOUT PRIOR WRITTEN PERMISSION FROM KEYSTONE ELECTRONICS CORP.



- NOTE:
1. HOLDER: MAT'L: POLYPROPYLENE
  2. POSITIVE AND NEGATIVE CONTACT: MAT'L- .006 [0.15] TH'K PHOSPHOR BRONZE FINISH- NICKEL PLATE
  3. WIRE: 26 AWG, UL/CSA 1007
  4. (2) SCREWS SUPPLIED LOOSE.

<b>KEYSTONE ELECTRONICS CORP.</b>			
www.keyelco.com • NEW HYDE PARK, NY 11040 • Tel (516) 328-7500			
PART NAME			
2032 CELL HOLDER WITH SWITCH			
MATERIAL			
AS NOTED			
FINISH		DRN BY	DATE
AS NOTED		NT	12.19.19
		APP'D	SCALE
		RH	1.5X
TOLERANCES	INCH [MM]	CODE	DWG NO.
DECIMAL	± .010 [± .025]	C	<b>1086</b>
ANGULAR	± 1°		
UNLESS OTHERWISE SPECIFIED			

4.14.20	REDESIGN COVER LOCKING CHANGE AS PER ECN 20-041	A
DATE	DESCRIPTION	REV.