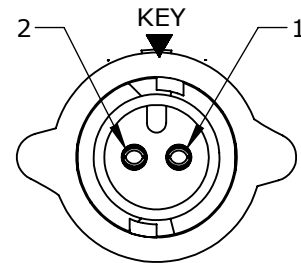


MFG. ENG.	APPROVED BY:	DATE:	QA	APPROVED BY:	DATE:
-----------	--------------	-------	----	--------------	-------

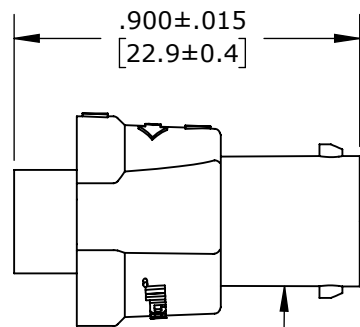
ASS'Y P/N	CONTACT QTY.	CABLE O.D. RANGE
W16280-2SG-P-311	2	0.09 - 0.14 [2.3 - 3.6]
W16280-2SG-P-315	2	0.15 - 0.17 [3.8 - 4.3]
W16280-2SG-P-318	2	0.18 - 0.20 [4.6 - 5.1]
W16280-3SG-P-311	3	0.09 - 0.14 [2.3 - 3.6]
W16280-3SG-P-315	3	0.15 - 0.17 [3.8 - 4.3]
W16280-3SG-P-318	3	0.18 - 0.20 [4.6 - 5.1]
W16280-XSG-P-3XX		

NOTES:

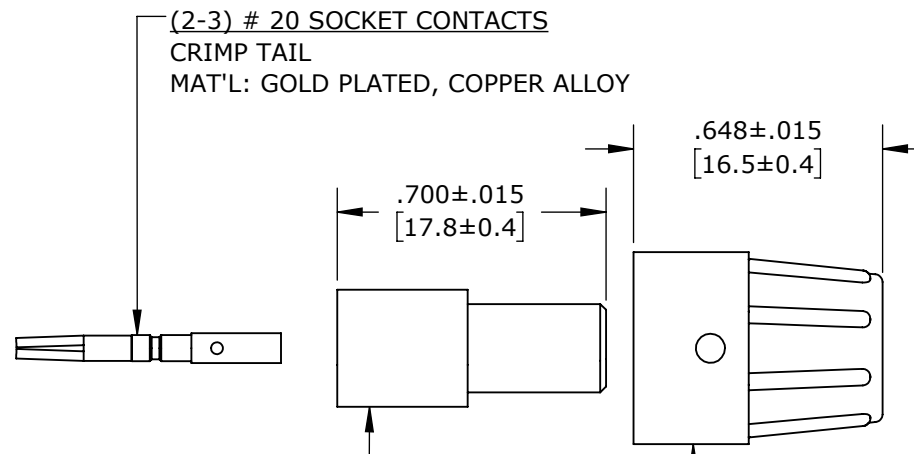
1. ALL PARTS ARE BULK PACKED.
2. REFER TO DRAWING HPMCSTD FOR CONTACT PATTERNS.
3. ALL DIMENSIONS ARE REFERENCE ONLY IN INCHES [mm], WITHIN ±0.015 UNLESS OTHERWISE NOTED.



FACE VIEW
W16280-2SG-P-3XX



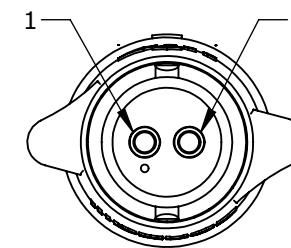
CABLE-END ASSEMBLY KIT
MAT'L: HOUSING -THERMOPLASTIC, BLACK
O-RING - SILICONE, RED
COUPLING RING - THERMOPLASTIC, BLACK
SPRING (INTERNAL) - STAINLESS STEEL



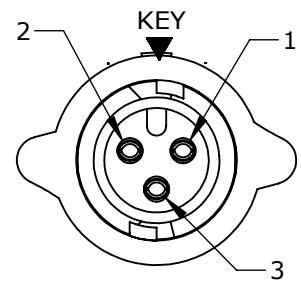
GROMMET
MAT'L: ELASTOMER, BLACK
SEE TABLE FOR CABLE O.D. SIZE OPTIONS

OF CONTACTS

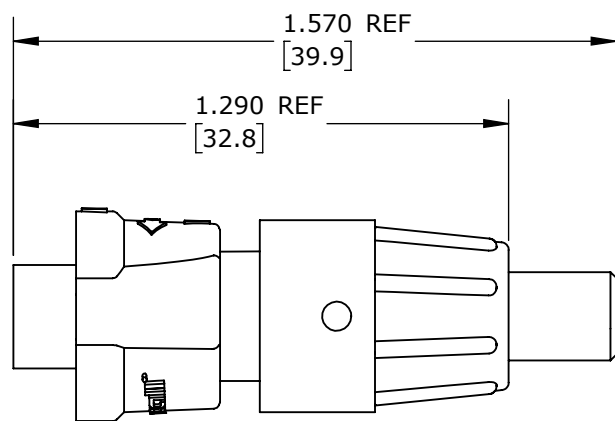
GROMMET SIZE = CABLE O.D. RANGE:
311 = 0.09 - 0.14 [2.3 - 3.6]
315 = 0.15 - 0.17 [3.8 - 4.3]
318 = 0.18 - 0.20 [4.6 - 5.1]



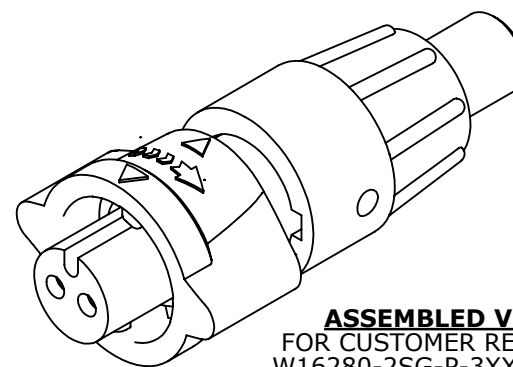
WIRING VIEW
W16280-2SG-P-3XX



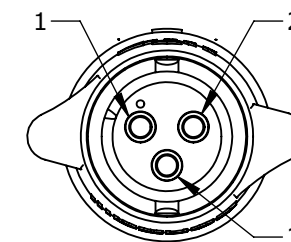
FACE VIEW
W16280-3SG-P-3XX



ASSEMBLED VIEW
FOR CUSTOMER REF. ONLY



ASSEMBLED VIEW
FOR CUSTOMER REF. ONLY
W16280-2SG-P-3XX SHOWN



WIRING VIEW
W16280-3SG-P-3XX

CUSTOMER PRINT

PART NUMBER: W16280-XSG-P-3XX

CUSTOMER APPROVAL

THIS DOCUMENT CONTAINS CONFIDENTIAL INFORMATION PROPRIETARY TO CONXALL CORPORATION. ANY REPRODUCTION, DISCLOSURE, OR USE OF THIS DOCUMENT /INFORMATION IS EXPRESSLY PROHIBITED UNLESS AUTHORIZED IN WRITING BY CONXALL CORPORATION.

APPROVED BY: _____
DATE: _____

RoHS COMPLIANT

PRELIMINARY

DIMENSIONS IS BRACKETS [] ARE METRIC

0A	JGK	09/06/19	DRAWING CREATED FOR PDR #18004.		
REV.	INIT.	DATE	DESCRIPTION		
	JGK	9/06/19	ALL INFORMATION ILLUSTRATED IS THE PROPERTY OF "CONXALL CORPORATION." UNAUTHORIZED DUPLICATION OR DISTRIBUTION OF THIS DOCUMENT IS PROHIBITED. ORG. DRAWN BY: JGK DATE: 9/06/19 CHECKED BY: _____ APPROVED BY: _____ ALL UNITS ARE IN FEET, INCHES, FRACTION OF INCHES AND DECIMALS. UNLESS OTHERWISE SPECIFIED TOLERANCES: 3 PLACE DECIMALS ±.005 ANGLES ±1° FRACTIONS ±1/16 FILE: W16280-XSG-P-3XX DIRECTORY: SLW PART NUMBER: W16280-XSG-P-3XX		
TITLE: CABLE-END ASSEMBLY 2-3 #20 SOCKET CONTACTS, CRIMP INSTA-CLICK, MICRO-CON-X STANDARD PRODUCT CUSTOMER: _____			601 E. WILDWOOD VILLA PARK, IL 60181		
SCALE	SIZE	SHEET	PART NUMBER: W16280-XSG-P-3XX		
NTS	B	1 OF 1	REV 0A		