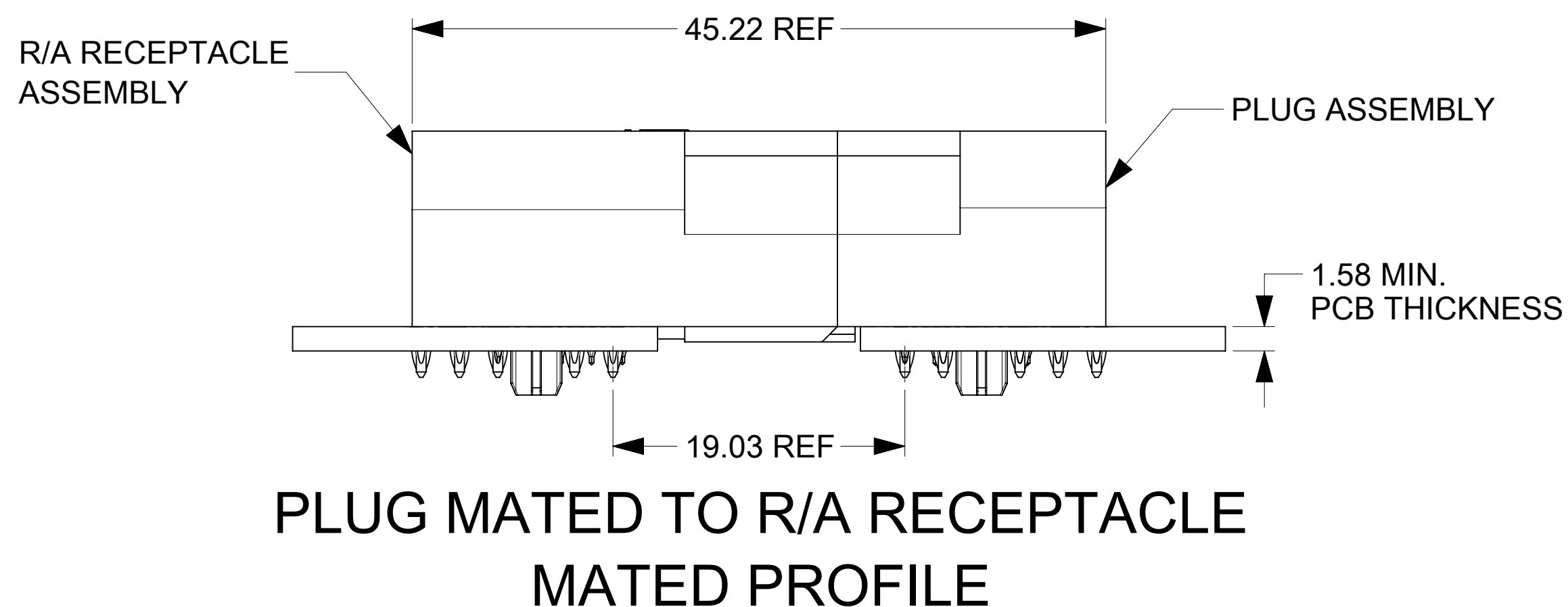
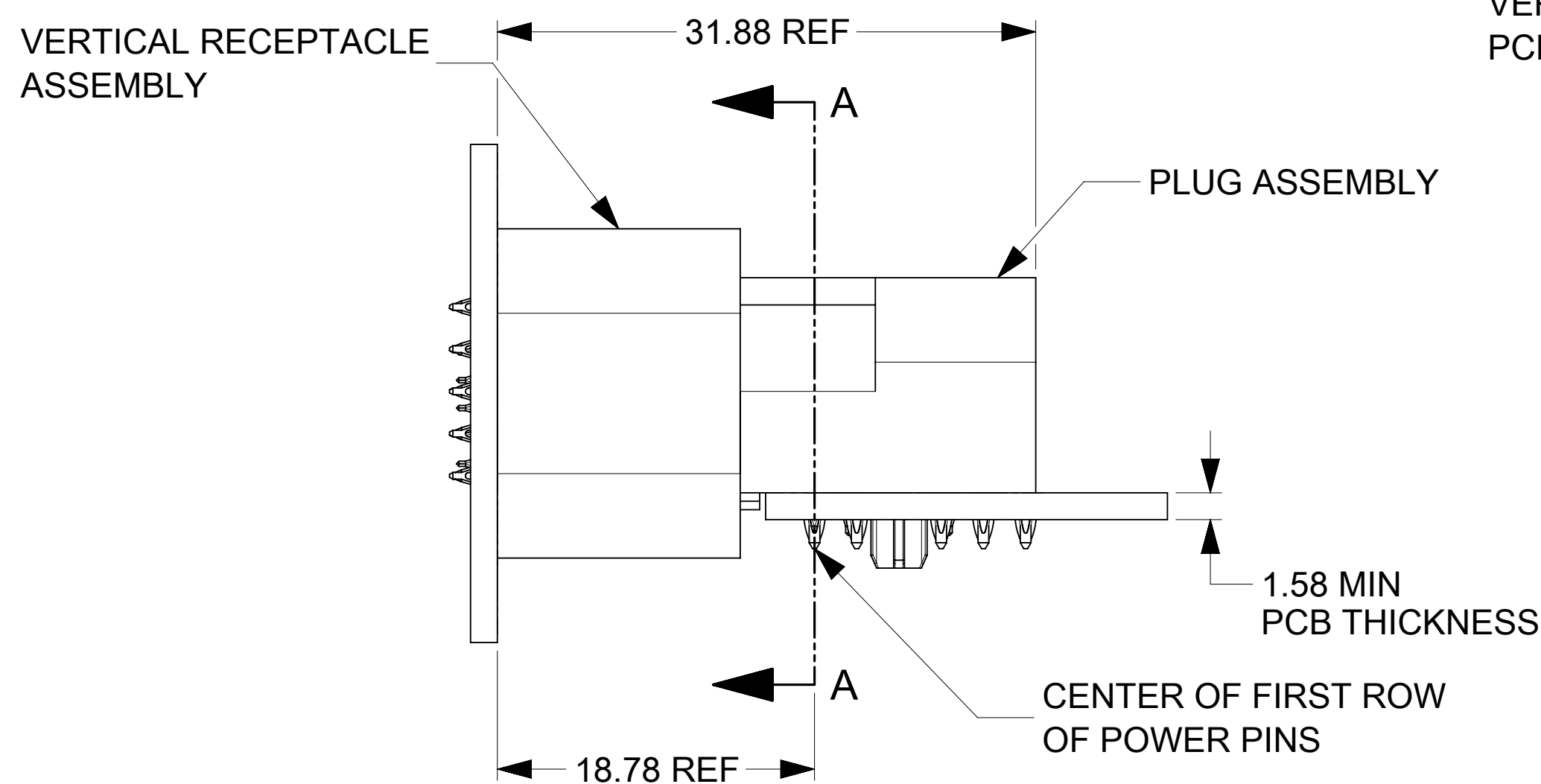
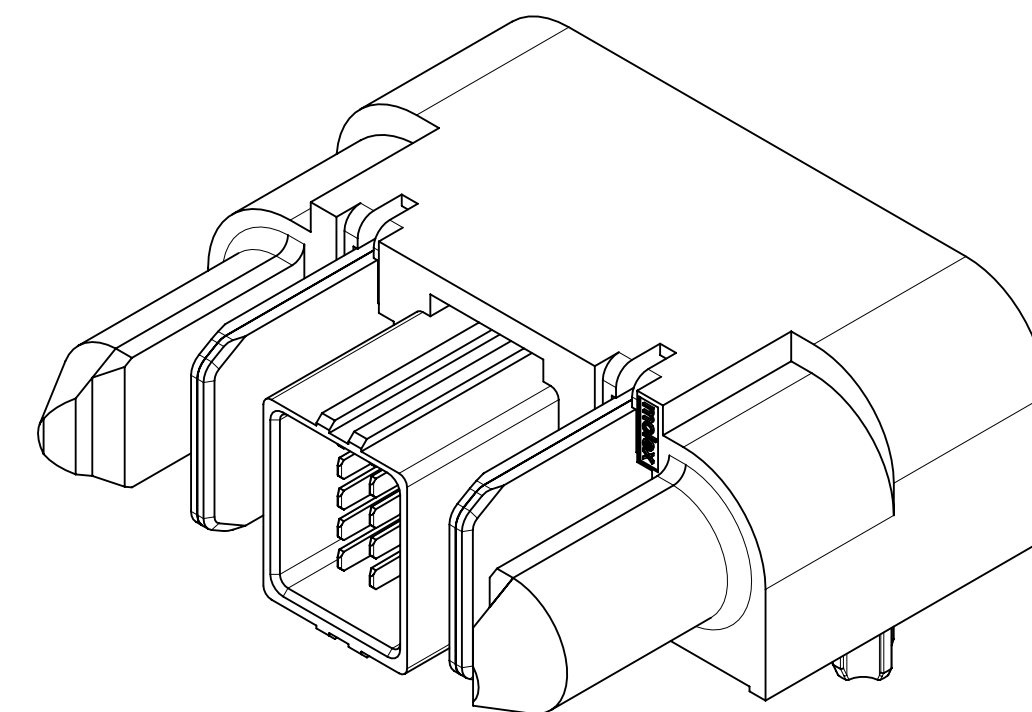


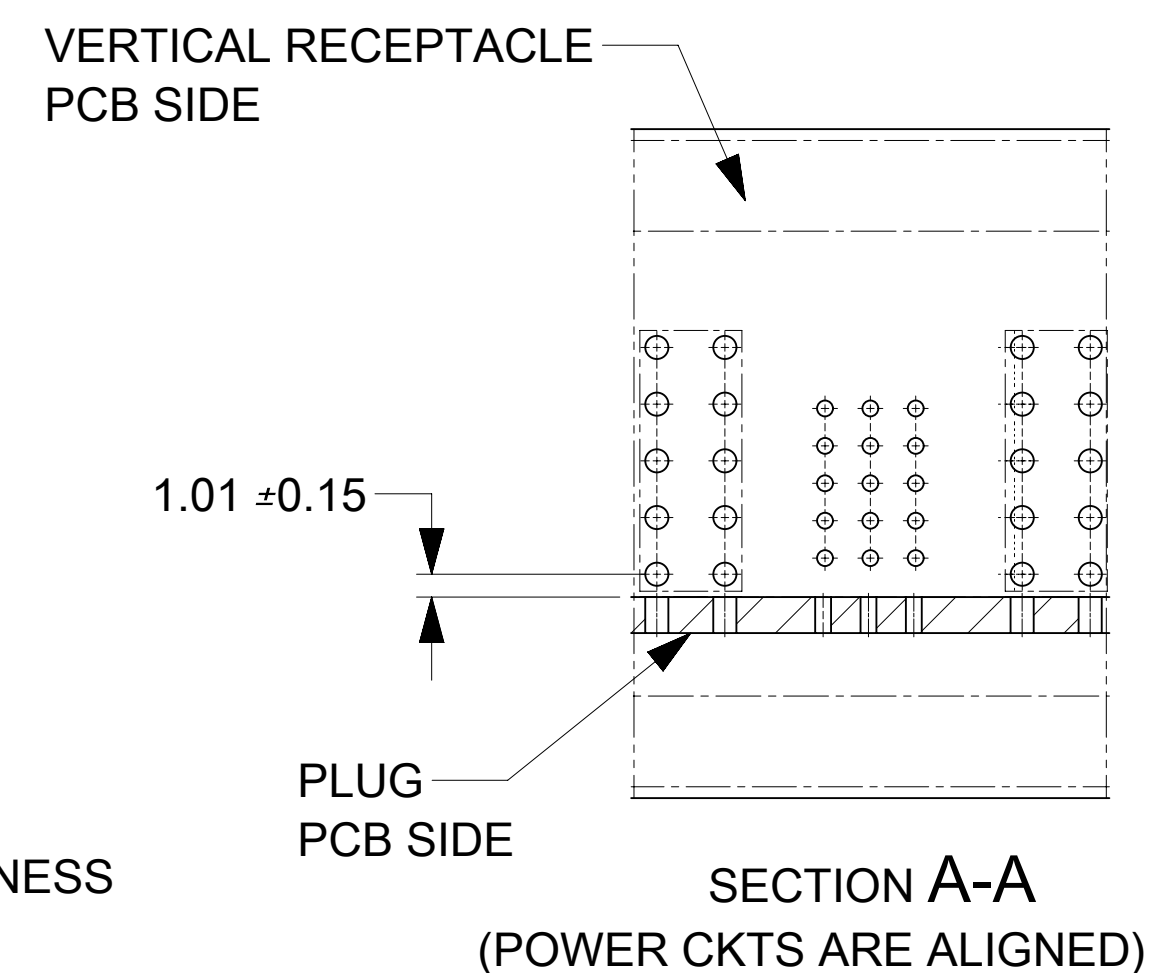
RECOMMENDED PCB LAYOUT AND KEEP-OUT ZONE



PLUG MATED TO R/A RECEPTACLE MATED PROFILE



PLUG MATED TO VERTICAL RECEPTACLE MATED PROFILE



NOTES:

- MATERIAL:
 - HOUSINGS: LCP UL94, V-0, COLOR : BLACK
 - TERMINALS: HIGH CONDUCTIVITY COPPER ALLOY
 - PLATING: 1.27 μm (50 μin) NICKEL OVERALL WITH 2.54 μm (100 μin) SELECTIVE TIN ON TAILS AND 0.762 μm (30 μin) SELECTIVE GOLD ON CONTACT AREA
- PACKAGING: ASSEMBLIES TO BE TRAY PACKED PER PACKAGING SPEC: 2141130010-PK .
- PLATED THRU HOLE SIZE, REFER TO PRODUCT SPEC. FOR DETAILS.
- PRODUCT SPEC: 2141130000-PS .
- PRODUCT TO MEET RoHS REQUIREMENTS.
- PLUG ASSEMBLY MATES TO MOLEX RECEPTACLES 2141140002-SD AND 2141150011-SD, SEE DRAWINGS FOR DETAILS.
- TAIL DESIGN: COMPLIANT PIN.
- POWER TERMINALS AND SIGNALS ARE LUBRICATED.
- APPLICATION SPECIFICATION: 2141130000-AS (FOR COMPLIANT TAILS ONLY).

SYMBOLS		THIS DRAWING CONTAINS INFORMATION THAT IS PROPRIETARY TO MOLEX ELECTRONIC TECHNOLOGIES, LLC AND SHOULD NOT BE USED WITHOUT WRITTEN PERMISSION		CURRENT REV DESC:		molex	
DIMENSION UNITS	SCALE					R/A PLUG CENTER ASSY G+1P+15S+1P+G COMPLAINT PIN GUARDIAN BTB POWER FAMILY	
▽ = 0	mm	3:1					PRODUCT CUSTOMER DRAWING
▽ = 0	GENERAL TOLERANCES (UNLESS SPECIFIED)						DOCUMENT NUMBER
▽ = 0	ANGULAR TOL	±	°			DOC TYPE DOC PART REVISION	
▽ = 0	4 PLACES	±		EC NO: 636917			2141130011-SD
▽ = 0	3 PLACES	±		DRWN: LZABJANOVSKI 2020/05/01			
▽ = 0	2 PLACES	±	0.25	CHK'D: BPISZCZOR 2020/06/18			PSD 000 B
▽ = 0	1 PLACE	±	0.3	APPR: BPISZCZOR 2020/06/18			
▽ = 0	0 PLACES	±		INITIAL REVISION:			
☒ = 0	DRAFT WHERE APPLICABLE MUST REMAIN WITHIN DIMENSIONS				DRWN: RMV02 2020/02/18		
▽ = 0	THIRD ANGLE PROJECTION				APPR: BPISZCZOR 2020/04/22		
		D-SIZE		SERIES	MATERIAL NUMBER	CUSTOMER	SHEET NUMBER
		D-SIZE		214113	2141130011		1 OF 1