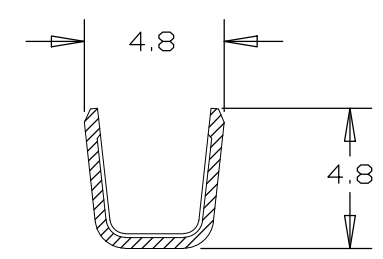
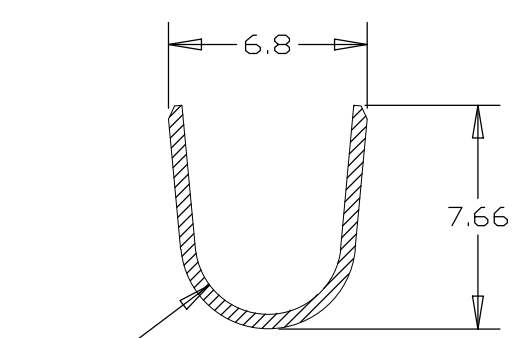


THIS DRAWING IS UNPUBLISHED. RELEASED FOR PUBLICATION  
 © COPYRIGHT - TE Connectivity Ltd. ALL RIGHTS RESERVED.

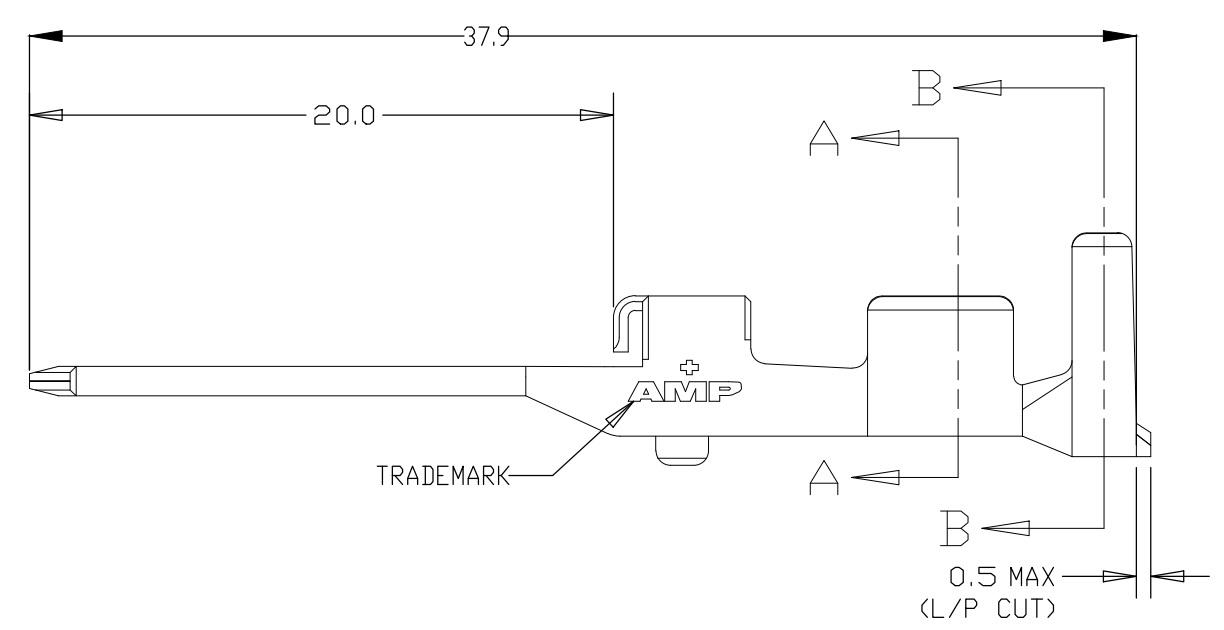
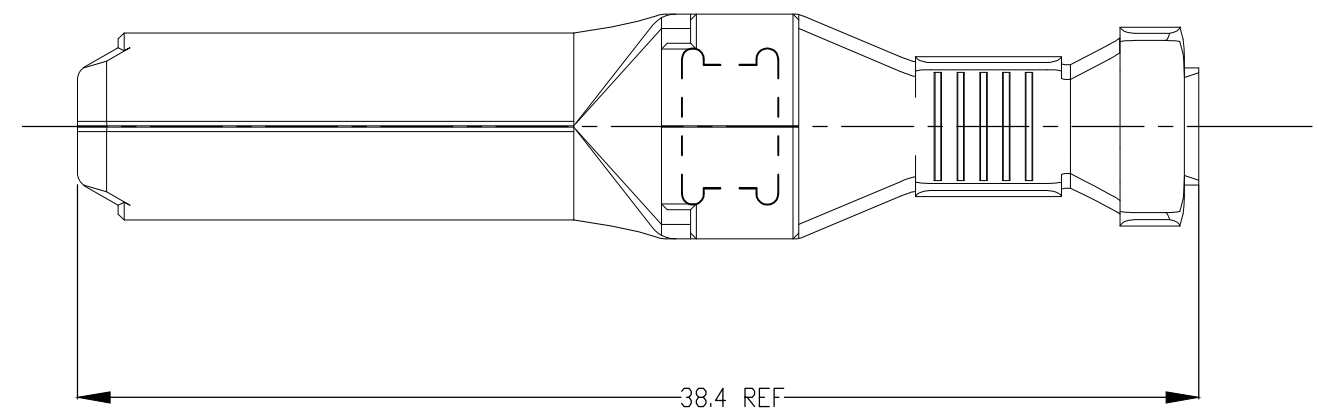
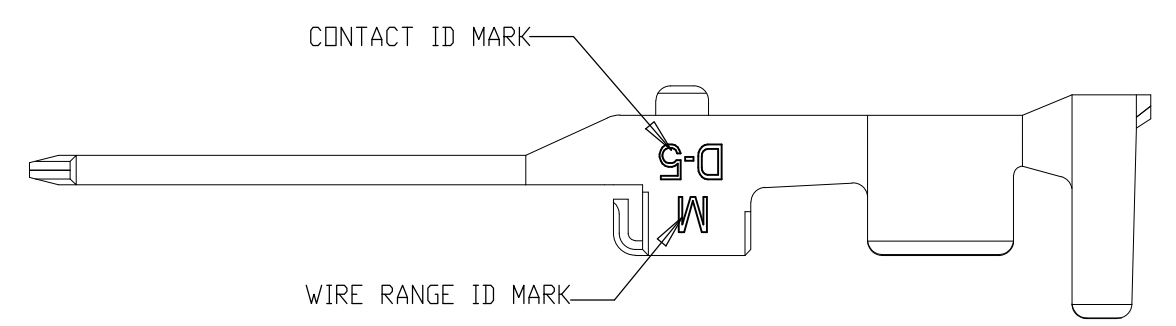
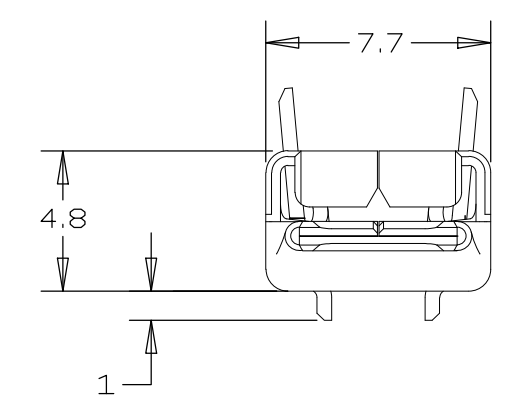
REVISIONS		DATE	DWN	APVD
P	LTR	DESCRIPTION		
	B	REVISED PER ECR-19-014502	17SEP2019	T.S E.I



SECTION A-A



SECTION B-B



NOTES:  
 1. FINISH : 0.2um MIN GOLD (CONTACT AREA) PLATING OVER Ni UNDER PLATING ALL OVER EXCEPT INSIDE OF CONTACT BOX GOLD PLATING THK DID NOT CONTROL AT CONTACT TIP AREA  
 2. TOLERANCES UNLESS OTHERWISE SPECIFIED  
 \* <math>\le 10</math> :  $\pm 0.3</math>  
 10 < * <math>\le 30</math> :  $\pm 0.35</math>  
 30 < * <math>\le 100</math> :  $\pm 0.4</math>  
 ANGLE:  $\pm 3^\circ$$$$

	2013593-1
FINISH	PART NO.

WIRE RANGE	INSULATION DIA
3.08/5.5mm <sup>2</sup> AWG #12/#10	4/5.2mm $\phi$

THIS DRAWING IS A CONTROLLED DOCUMENT.		DWN	30AUG2007	TE Connectivity	
		CHK	30AUG2007		
		D.MITSUGI		NAME	
		D.MITSUGI		DYNAMIC D-5000 SERIES	
		D.MITSUGI		PRODUCT SPEC	
		114-5206		APPLICATION SPEC	
		2.08		取付適用規格	
		A3		CAGE CODE	
		00779		DRAWING NO	
		G-2013593		RESTRICTED TO	
		CUSTOMER DRAWING		SCALE	
		4:1		SHEET	
		1 OF 1		REV	
		B			