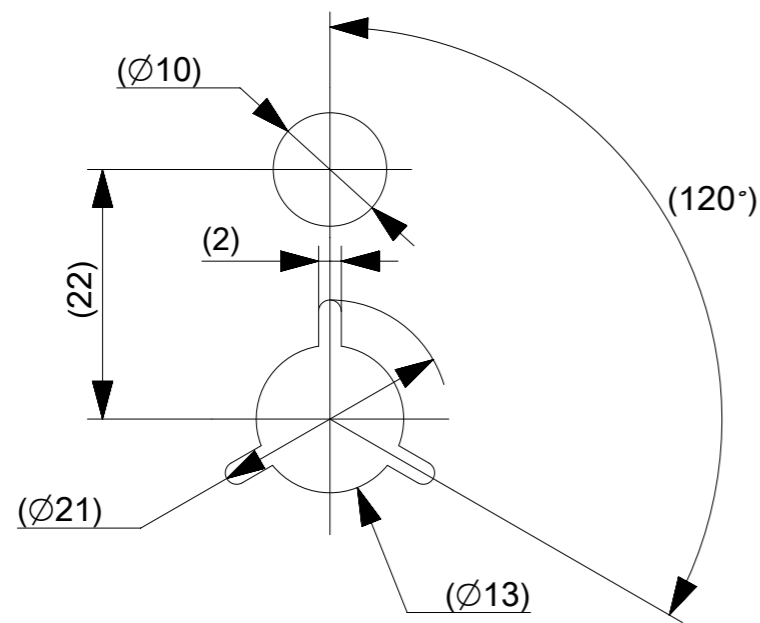
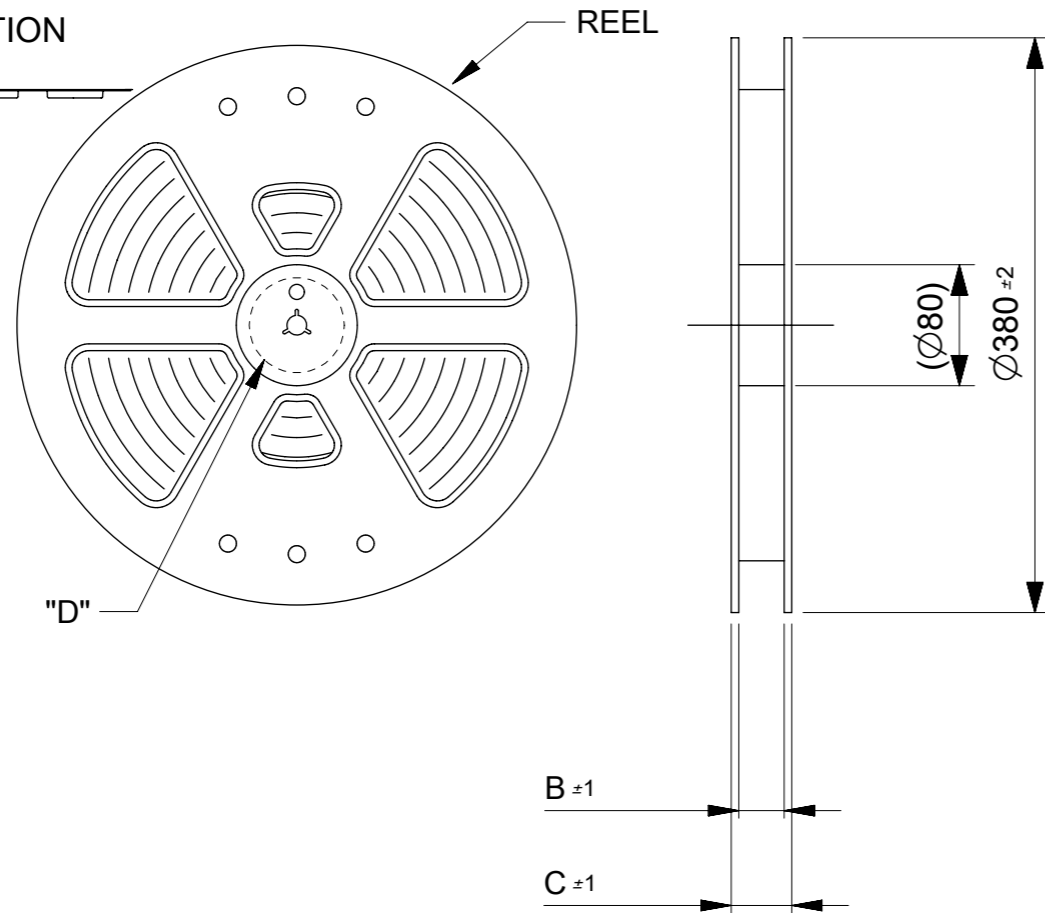


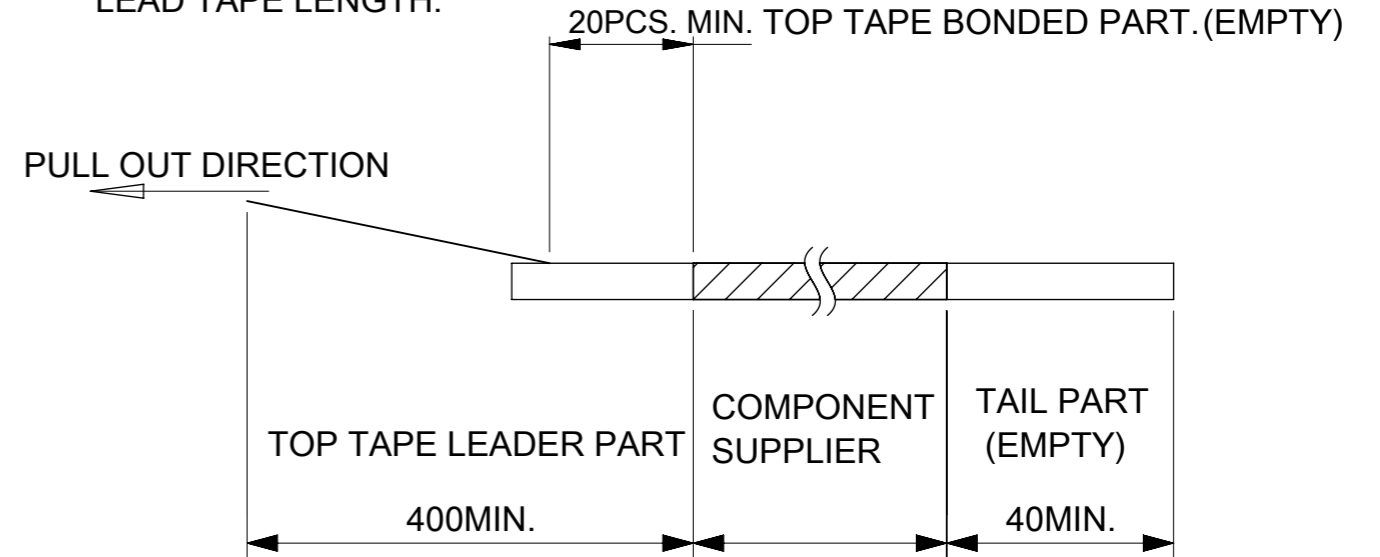
PULL OUT DIRECTION



DETAIL "D"

NOTES

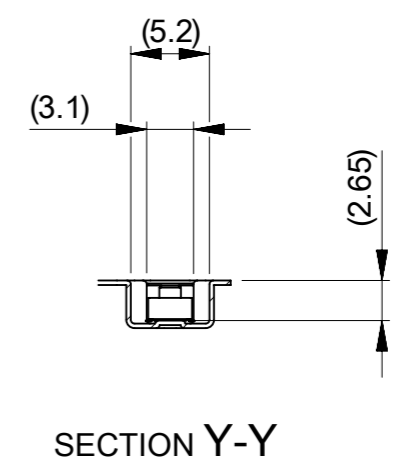
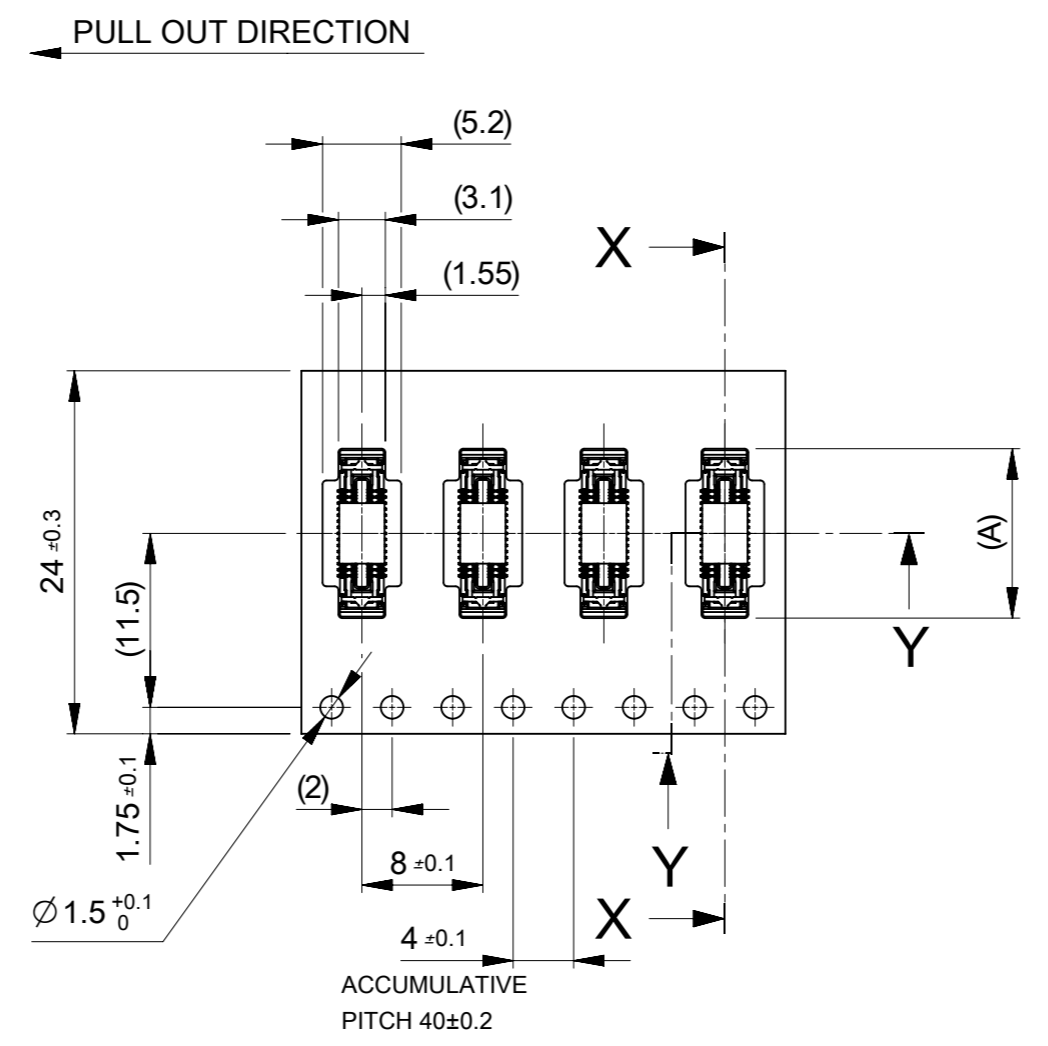
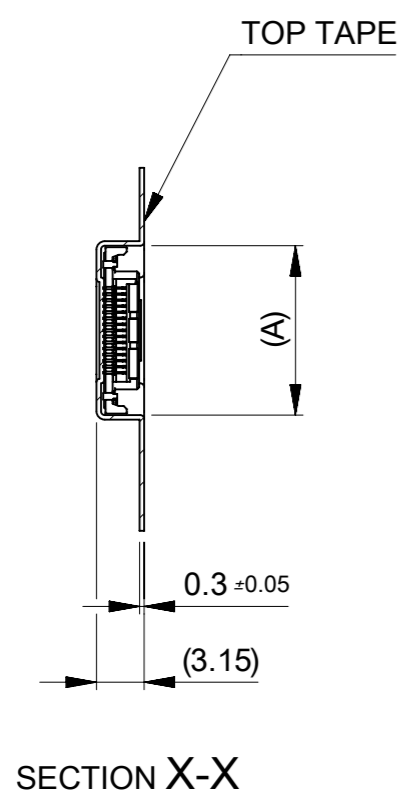
1. RE DETAILED DIMENSION, SEE PRODUCT DRAWING.
2. NUMBER OF CONNECTORS : 3000 PCS/REEL.
3. LEAD TAPE LENGTH.



4. TOP TAPE PEEL FORCE IS DEFINED BY IEC60286-3
5. MATERIAL  
 CARRIER TAPE : POLYSTYRENE  
 TOP TAPE : PET , OTHER  
 REEL : POLYSTYRENE(PS)(RECYCLE MATERIAL CONTAINED)

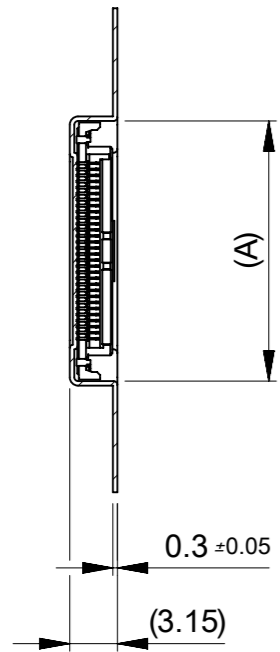
MODEL NO. 2049280\*\*1

|   |       |                              |         |                          |              |
|---|-------|------------------------------|---------|--------------------------|--------------|
| THIS DRAWING CONTAINS INFORMATION THAT IS PROPRIETARY TO MOLEX ELECTRONIC TECHNOLOGIES, LLC AND SHOULD NOT BE USED WITHOUT WRITTEN PERMISSION |       | CURRENT REV DESC:            |         | <b>molex</b>             |              |
| DIMENSION UNITS   | SCALE | EC NO: 639787                |         |                          |              |
| mm  | 1:5   | DRWN: JFURUKAWA 2020/06/18   |         | PRODUCT CUSTOMER DRAWING |              |
| GENERAL TOLERANCES (UNLESS SPECIFIED)   |       | CHK'D: HSHIMUYAMA 2020/06/23 |         | DOCUMENT NUMBER          |              |
| ANGULAR TOL ± 1.0°  |       | APPR: SHOSHIKAWA 2020/06/23  |         | 2049280000-SD            |              |
| 4 PLACES ± 0.01   |       | INITIAL REVISION:            |         | DOC TYPE                 |              |
| 3 PLACES ± 0.03   |       | DRWN: JFURUKAWA 2019/02/01   |         | PSD                      |              |
| 2 PLACES ± 0.05   |       | APPR: SHOSHIKAWA 2020/05/20  |         | DOC PART                 |              |
| 1 PLACE ± 0.1   |       | SERIES                       |         | 000                      |              |
| 0 PLACES ± 0.2  |       | MATERIAL NUMBER              |         | B                        |              |
| DRAFT WHERE APPLICABLE MUST REMAIN WITHIN DIMENSIONS  |       | THIRD ANGLE PROJECTION       | DRAWING | CUSTOMER                 | SHEET NUMBER |
|   |       |                              | A3-SIZE | GENERAL                  | 1 OF 3       |
|   |       |                              | 204928  |                          |              |

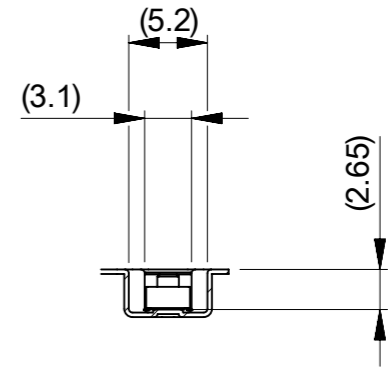
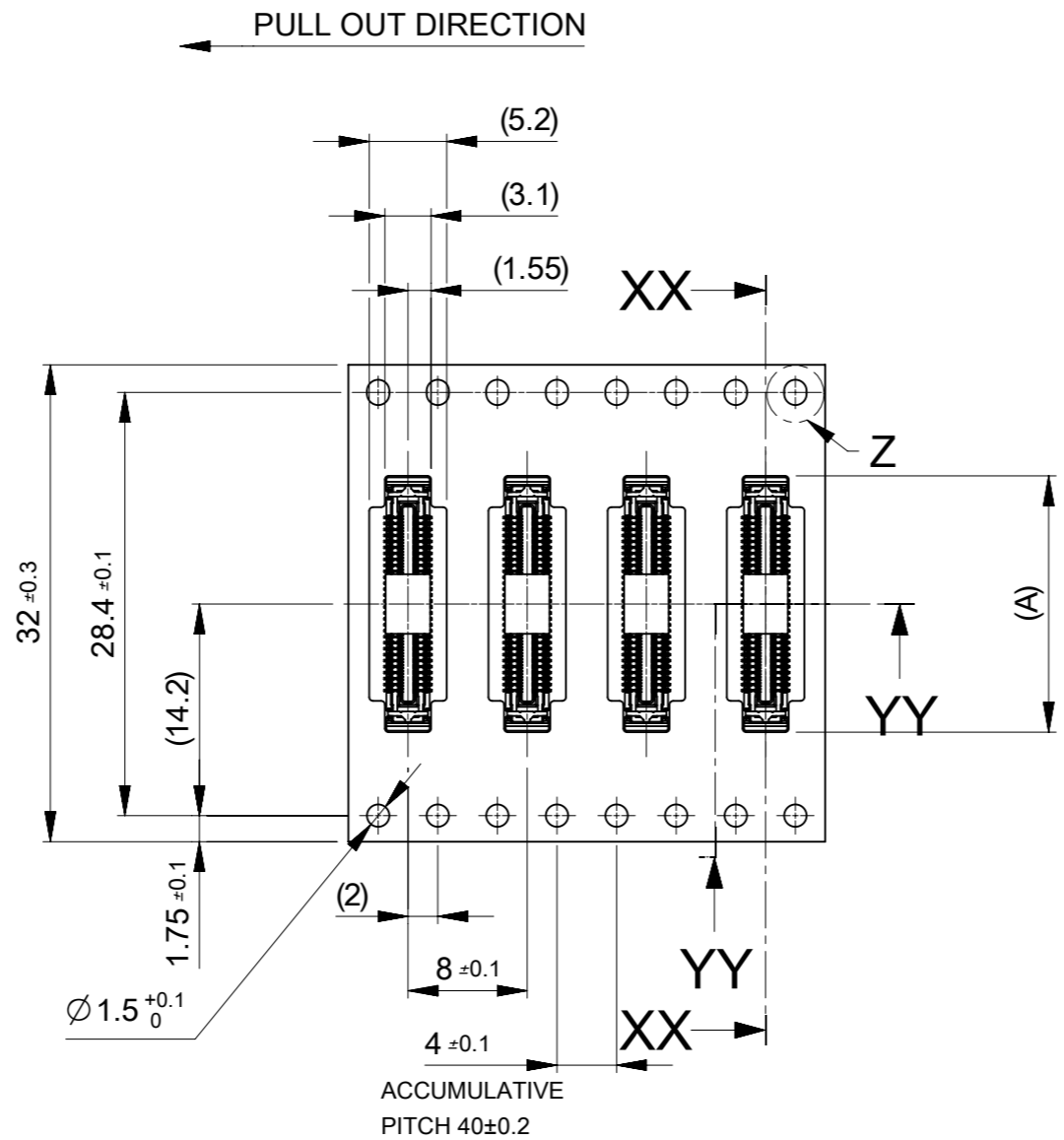


|                                 |      |      |            |         |
|---------------------------------|------|------|------------|---------|
| 29.4                            | 25.4 | 15.2 | 2049280501 | 50      |
|                                 |      | 13.2 | 2049280401 | 40      |
|                                 |      | 11.2 | 2049280301 | 30      |
|                                 |      | 9.2  | 2049280201 | 20      |
| C                               | B    | (A)  | ORDER No.  | CIRCUIT |
| CONNECTOR SERIES No. 2049281**1 |      |      |            |         |

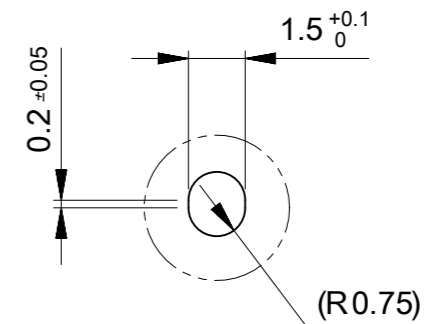
|   |       |                              |         |                          |              |
|---|-------|------------------------------|---------|--------------------------|--------------|
| THIS DRAWING CONTAINS INFORMATION THAT IS PROPRIETARY TO MOLEX ELECTRONIC TECHNOLOGIES, LLC AND SHOULD NOT BE USED WITHOUT WRITTEN PERMISSION |       | CURRENT REV DESC:            |         | <b>molex</b>             |              |
| DIMENSION UNITS   | SCALE | EC NO: 639787                |         |                          |              |
| mm  | 2:1   | DRWN: JFURUKAWA 2020/06/18   |         | PRODUCT CUSTOMER DRAWING |              |
| GENERAL TOLERANCES (UNLESS SPECIFIED)   |       | CHK'D: HSHIMUYAMA 2020/06/23 |         | DOCUMENT NUMBER          |              |
| ANGULAR TOL ± 1.0°  |       | APPR: SHOSHIKAWA 2020/06/23  |         | 2049280000-SD            |              |
| 4 PLACES ± 0.01   |       | INITIAL REVISION:            |         | DOC TYPE                 |              |
| 3 PLACES ± 0.03   |       | DRWN: JFURUKAWA 2019/02/01   |         | PSD                      |              |
| 2 PLACES ± 0.05   |       | APPR: SHOSHIKAWA 2020/05/20  |         | DOC PART                 |              |
| 1 PLACE ± 0.1   |       | SERIES                       |         | 000                      |              |
| 0 PLACES ± 0.2  |       | MATERIAL NUMBER              |         | REVISION                 |              |
| DRAFT WHERE APPLICABLE MUST REMAIN WITHIN DIMENSIONS  |       | THIRD ANGLE PROJECTION       | DRAWING | CUSTOMER                 | SHEET NUMBER |
|   |       |                              | A3-SIZE | GENERAL                  | 2 OF 3       |
|   |       |                              | 204928  |                          |              |



SECTION XX-XX



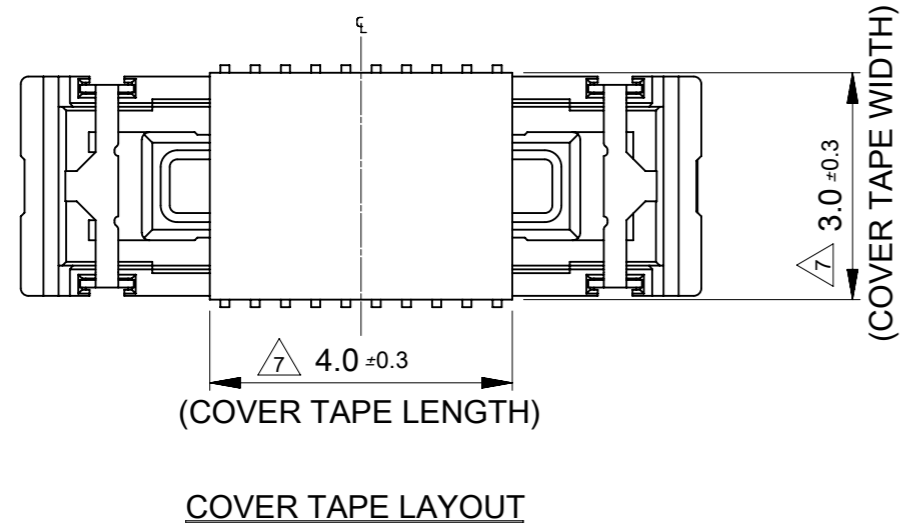
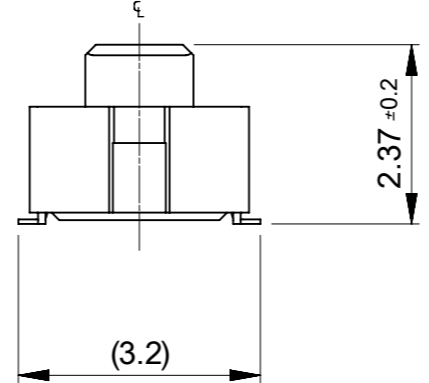
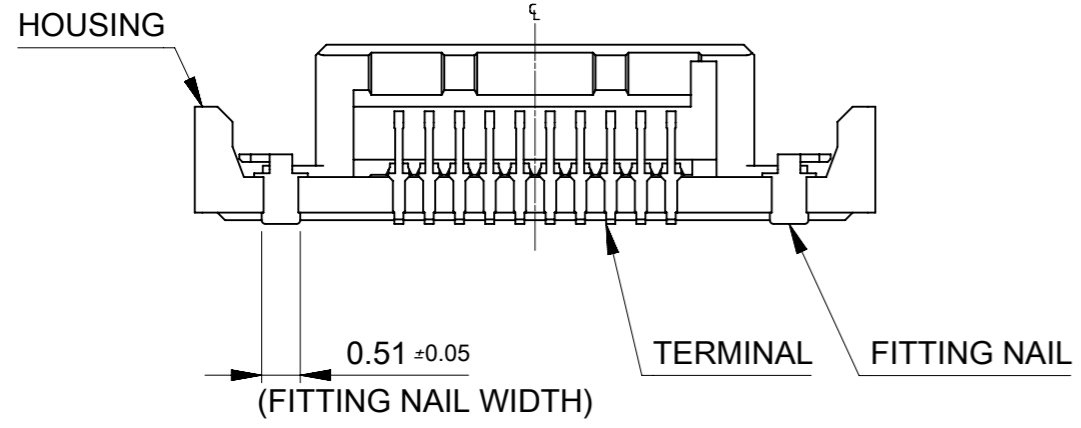
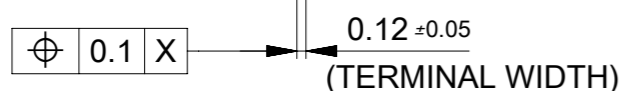
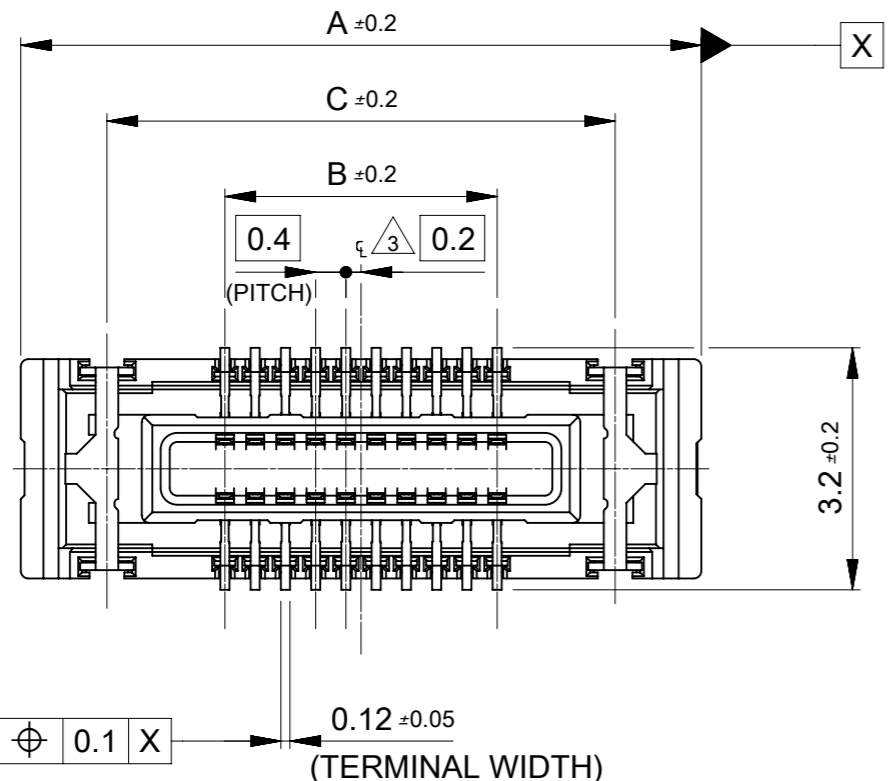
SECTION YY-YY



DETAIL Z  
SCALE 5:1

|                                 |      |      |            |         |
|---------------------------------|------|------|------------|---------|
| 37.4                            | 33.4 | 17.2 | 2049280601 | 60      |
| C                               | B    | (A)  | ORDER No.  | CIRCUIT |
| CONNECTOR SERIES No. 2049281**1 |      |      |            |         |

|   |       |                              |  |                          |  |
|---|-------|------------------------------|--|--------------------------|--|
| THIS DRAWING CONTAINS INFORMATION THAT IS PROPRIETARY TO MOLEX ELECTRONIC TECHNOLOGIES, LLC AND SHOULD NOT BE USED WITHOUT WRITTEN PERMISSION |       | CURRENT REV DESC:            |  | <b>molex</b>             |  |
| DIMENSION UNITS   | SCALE | EC NO: 639787                |  |                          |  |
| mm  | 2:1   | DRWN: JFURUKAWA 2020/06/18   |  | PRODUCT CUSTOMER DRAWING |  |
| GENERAL TOLERANCES (UNLESS SPECIFIED)   |       | CHK'D: HSHIMOYAMA 2020/06/23 |  | DOCUMENT NUMBER          |  |
| ANGULAR TOL ± 1.0°  |       | APPR: SHOSHIKAWA 2020/06/23  |  | 2049280000-SD            |  |
| 4 PLACES ± 0.01   |       | INITIAL REVISION:            |  | DOC TYPE                 |  |
| 3 PLACES ± 0.03   |       | DRWN: JFURUKAWA 2019/02/01   |  | PSD                      |  |
| 2 PLACES ± 0.05   |       | APPR: SHOSHIKAWA 2020/05/20  |  | DOC PART                 |  |
| 1 PLACE ± 0.1   |       | SERIES                       |  | 000                      |  |
| 0 PLACES ± 0.2  |       | MATERIAL NUMBER              |  | REVISION                 |  |
| DRAFT WHERE APPLICABLE MUST REMAIN WITHIN DIMENSIONS  |       | THIRD ANGLE PROJECTION       |  | CUSTOMER                 |  |
|   |       | DRAWING                      |  | GENERAL                  |  |
|   |       | A3-SIZE                      |  | SHEET NUMBER             |  |
|   |       | 204928                       |  | 3 OF 3                   |  |

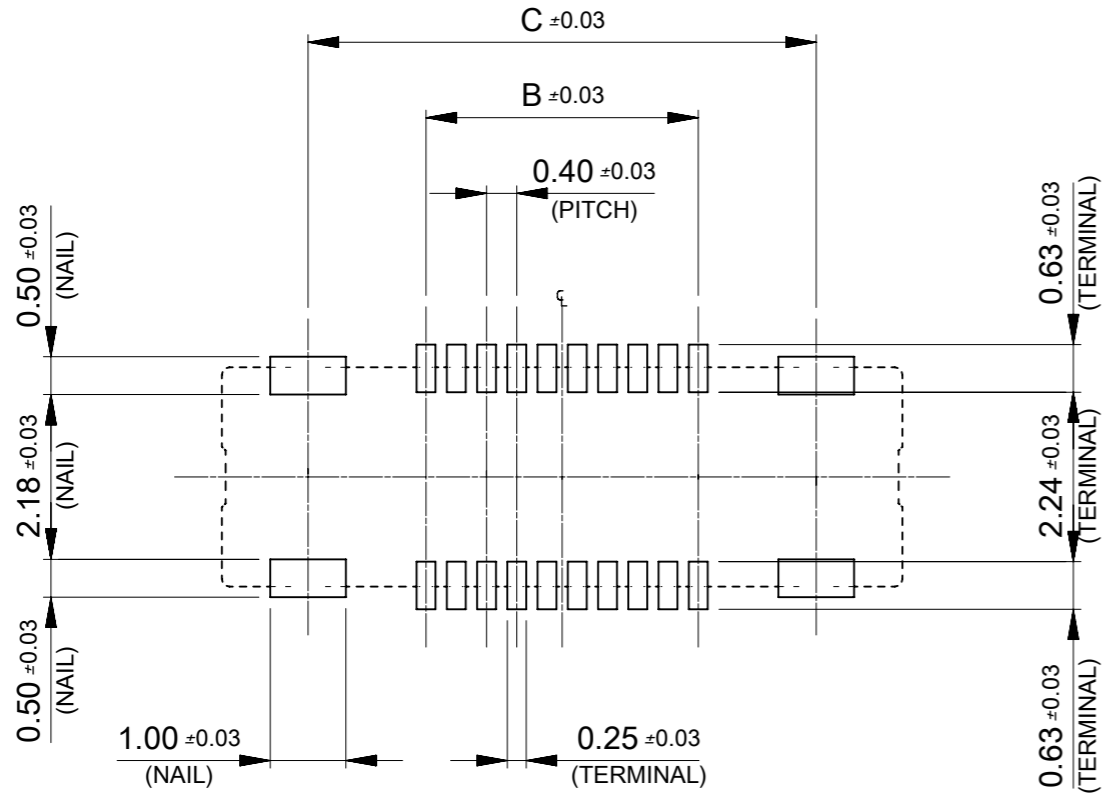


NOTES

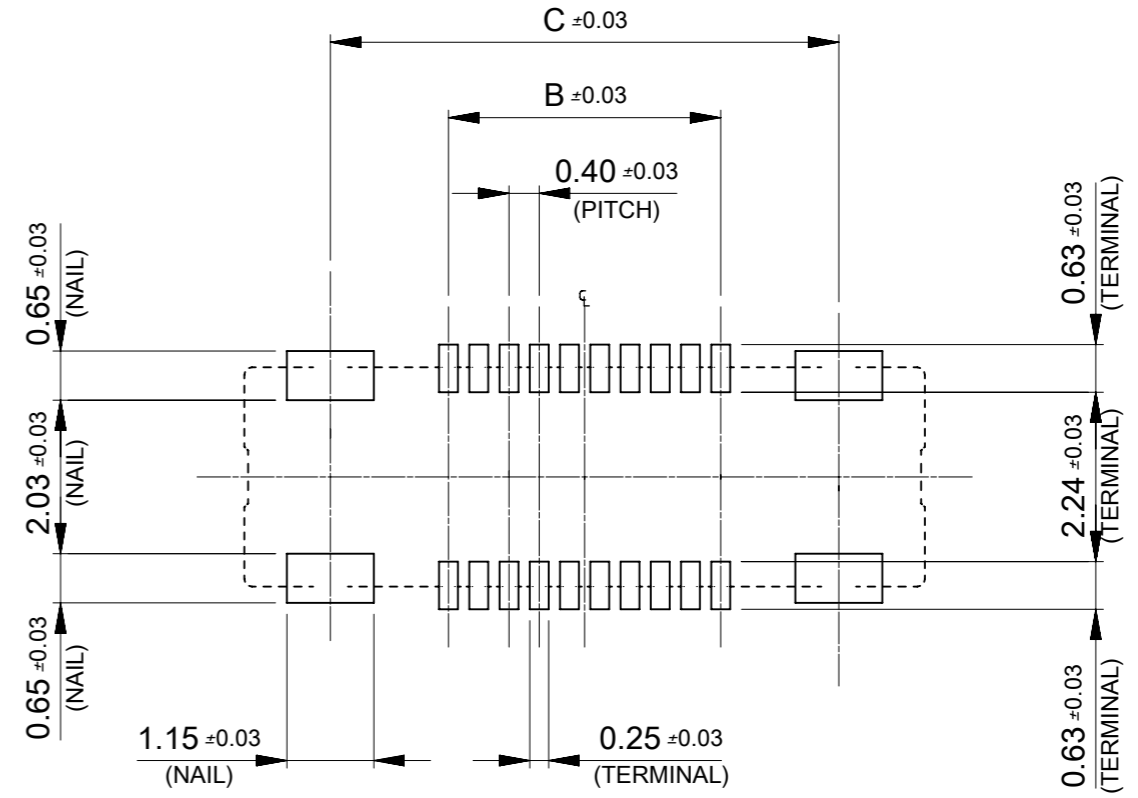
- 1 MATERIAL  
HOUSING: LIQUID CRYSTAL POLYMER UL94V-0 (COLOR :BLACK)  
TERMINAL: COPPER ALLOY  
FITTING NAIL: COPPER ALLOY  
COVER TAPE: POLYIMIDE
- 2 PLATING  
TERMINAL :  
CONTACT AREA: GOLD PLATING.  
SOLDER TAIL AREA: GOLD PLATING.  
UNDERPLATING: NICKEL OVERALL.  
\*DIVIDE INTO PARTS THE GOLD PLATING OF CONTACT AREA AND TAIL AREA BY THE NICKEL PLATING.  
FITTING NAIL:  
SURFACE:TIN OVERALL  
UNDERPLATING: NICKEL OVERALL.
- △3 APPLY FOR (CIRCUIT/2)=EVEN.
- 4 MATE WITH :204927\*\*\*\*
- 5 TAIL AND FITTING NAIL COPLANARITY TO BE 0.1MAXIMUM.
- △6 STACK HEIGHT IS KEPT FIXED BY SPACER.
- △7 COMMON LENGTH TO ALL CIRCUIT.
- △8 THIS DIMENSION SHOWS THE DIMENSION BETWEEN SOLDERING SURFACE OF SOLDER TAILS.

|                                   |      |    |                       |         |
|-----------------------------------|------|----|-----------------------|---------|
| 14.72                             | 11.6 | 17 | 2049280601            | 60      |
| 12.72                             | 9.6  | 15 | 2049280501            | 50      |
| 10.72                             | 7.6  | 13 | 2049280401            | 40      |
| 8.72                              | 5.6  | 11 | 2049280301            | 30      |
| 6.72                              | 3.6  | 9  | 2049280201            | 20      |
| C                                 | B    | A  | EMBOSSED TAPE PACKAGE | CIRCUIT |
|                                   |      |    | ORDER NO.             |         |
| CONNECTOR SERIES NO. : 2049281**1 |      |    |                       |         |

|   |        |                               |         |  |          |
|---|--------|-------------------------------|---------|--|----------|
| THIS DRAWING CONTAINS INFORMATION THAT IS PROPRIETARY TO MOLEX ELECTRONIC TECHNOLOGIES, LLC AND SHOULD NOT BE USED WITHOUT WRITTEN PERMISSION |        | CURRENT REV DESC:             |         | <b>molex</b>   |          |
| DIMENSION UNITS   | SCALE  | EC NO: 640423                 |         |  |          |
| mm  | 10:1   | DRWN: JFURUKAWA 2020/06/29    |         | 0.4 FLOATING BOARD TO BOARD CONN. H=3 FSB3 PLUG ASSY |          |
| GENERAL TOLERANCES (UNLESS SPECIFIED)   |        | CHK'D: HSHIMYOYAMA 2020/06/29 |         | PRODUCT CUSTOMER DRAWING                             |          |
| ANGULAR TOL   | ± 3.0° | APPR: SHOSHIKAWA 2020/06/29   |         | DOCUMENT NUMBER                                      |          |
| 4 PLACES  | ± 0.03 | INITIAL REVISION:             |         | DOC TYPE   |          |
| 3 PLACES  | ± 0.03 | DRWN: JFURUKAWA 2018/11/26    |         | DOC PART   |          |
| 2 PLACES  | ± 0.05 | APPR: SHOSHIKAWA 2020/05/20   |         | REVISION   |          |
| 1 PLACE   | ± 0.1  | 2049281000-SD                 |         | C  |          |
| 0 PLACES  | ± 0.2  | SERIES                        |         | SHEET NUMBER   |          |
| DRAFT WHERE APPLICABLE MUST REMAIN WITHIN DIMENSIONS  |        | THIRD ANGLE PROJECTION        | DRAWING | MATERIAL NUMBER                                      | CUSTOMER |
|   |        |                               | A3-SIZE | SEE CHART  | GENERAL  |
|   |        |                               | 204928  |  | 1 OF 2   |

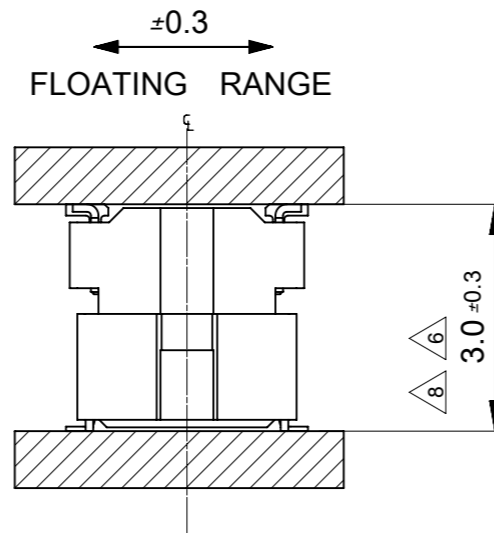
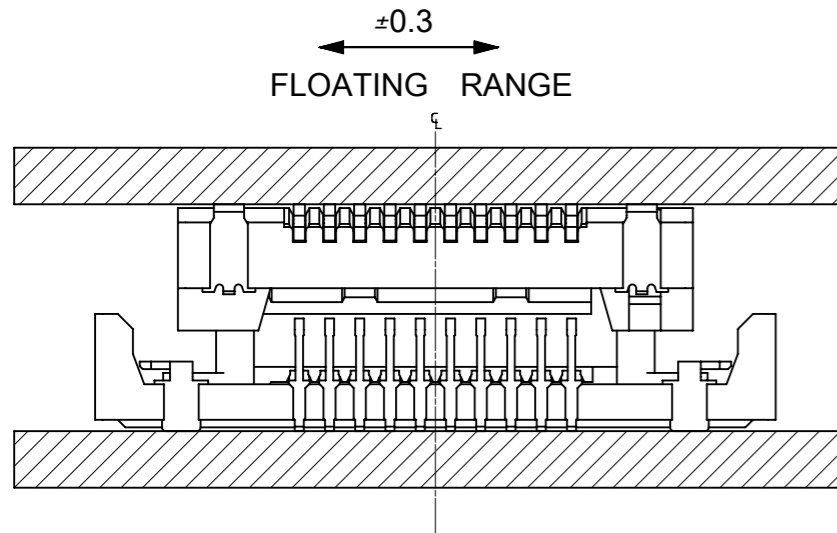


RECOMMENDED P.W.BOARD PATTERN LAYOUT(REFERENCE)



RECOMMENDED METAL MASK LAYOUT(REFERENCE)

RECOMMENDED THICKNESS OF METAL MASK : t=0.1mm  
 RECOMMENDED OPEN APERTURE RATIO OF METAL MASK : TERMINAL 100%, NAIL 150%



|   |         |                   |            |   |          |
|---|---------|-------------------|------------|---|----------|
| THIS DRAWING CONTAINS INFORMATION THAT IS PROPRIETARY TO MOLEX ELECTRONIC TECHNOLOGIES, LLC AND SHOULD NOT BE USED WITHOUT WRITTEN PERMISSION |         | CURRENT REV DESC: |            | <b>molex</b>  |          |
| DIMENSION UNITS   | SCALE   |                   |            |   |          |
| mm  | 10:1    |                   |            | 0.4 FLOATING BOARD TO BOARD CONN. H=3<br>FSB3 PLUG ASSY |          |
| GENERAL TOLERANCES (UNLESS SPECIFIED)   |         |                   |            | PRODUCT CUSTOMER DRAWING                                |          |
| ANGULAR TOL   | ± 3.0 ° |                   |            | DOCUMENT NUMBER   |          |
| 4 PLACES  | ± 0.03  | EC NO: 640423     | 2020/06/29 | 2049281000-SD   |          |
| 3 PLACES  | ± 0.03  | DRWN: JFURUKAWA   | 2020/06/29 | DOC TYPE  | DOC PART |
| 2 PLACES  | ± 0.05  | CHK'D: HSHIMUYAMA | 2020/06/29 | PSD   | 000      |
| 1 PLACE   | ± 0.1   | APPR: SHOSHIKAWA  | 2020/06/29 | REVISION  |          |
| 0 PLACES  | ± 0.2   | INITIAL REVISION: |            | C   |          |
| DRAFT WHERE APPLICABLE MUST REMAIN WITHIN DIMENSIONS  |         | DRWN: JFURUKAWA   | 2018/11/26 | SHEET NUMBER  |          |
| THIRD ANGLE PROJECTION  |         | APPR: SHOSHIKAWA  | 2020/05/20 | SEE CHART   | GENERAL  |
| DRAWING   |         | SERIES            |            | 2 OF 2  |          |
| A3-SIZE   |         | 204928            |            |   |          |