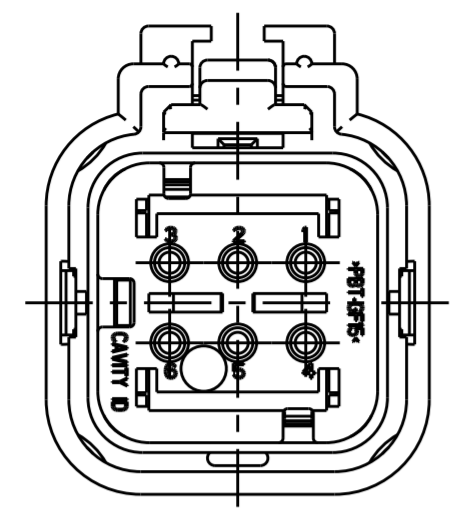
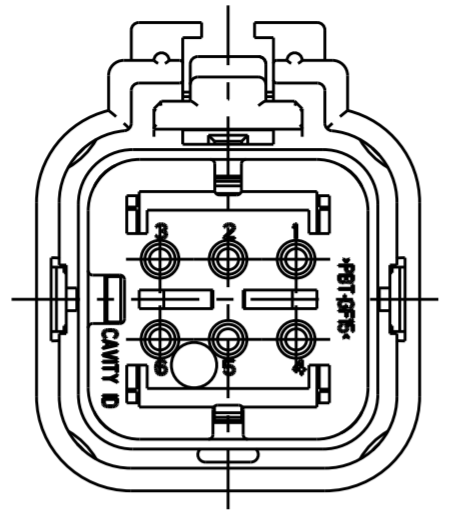


THIS DRAWING IS UNPUBLISHED. RELEASED FOR PUBLICATION. ALL RIGHTS RESERVED.

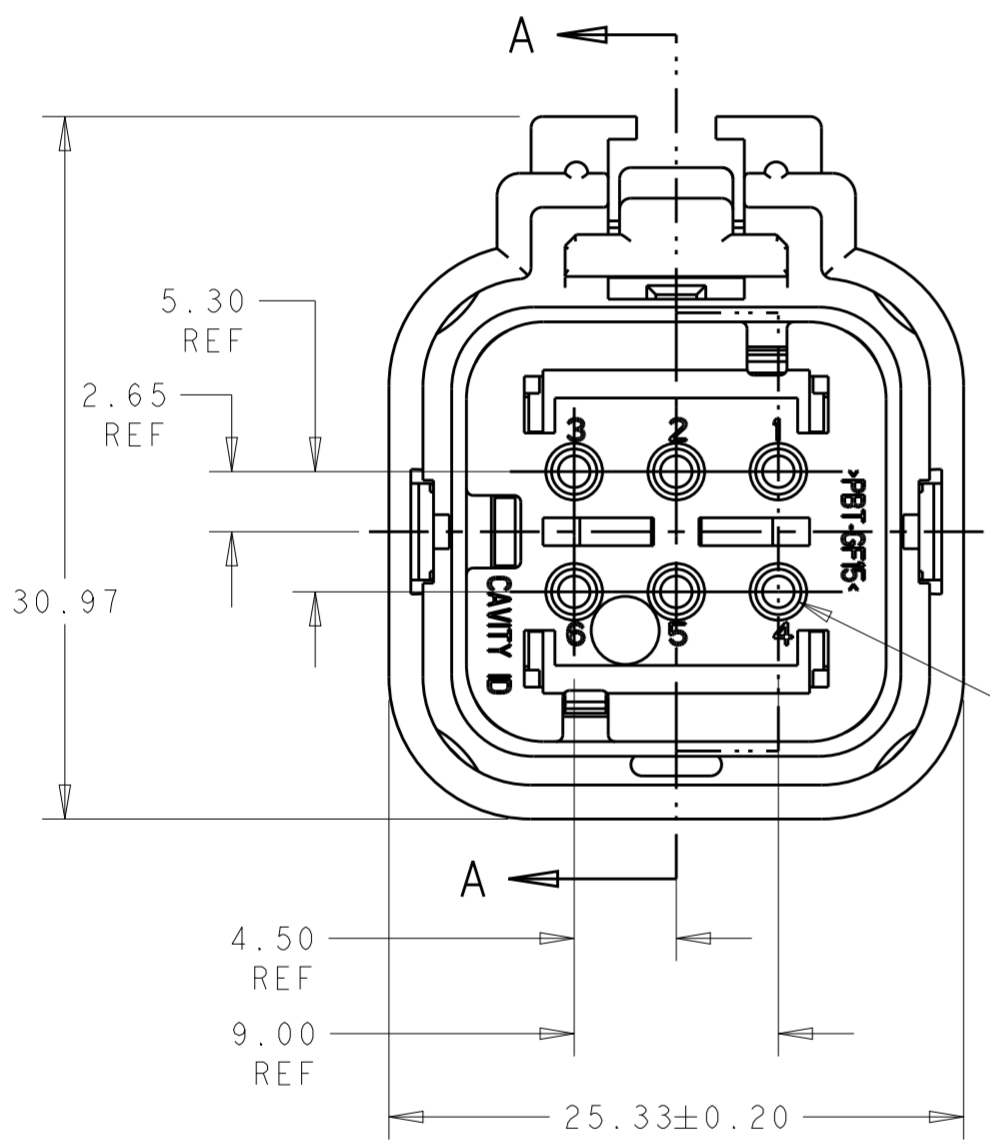
REVISIONS					
P	LTR	DESCRIPTION	DATE	DWN	APVD
A		REL PER ECO-18-015319	18SEP2018	JM	RB
AI		REV PER ECO-18-016694	18OCT2018	JM	RB



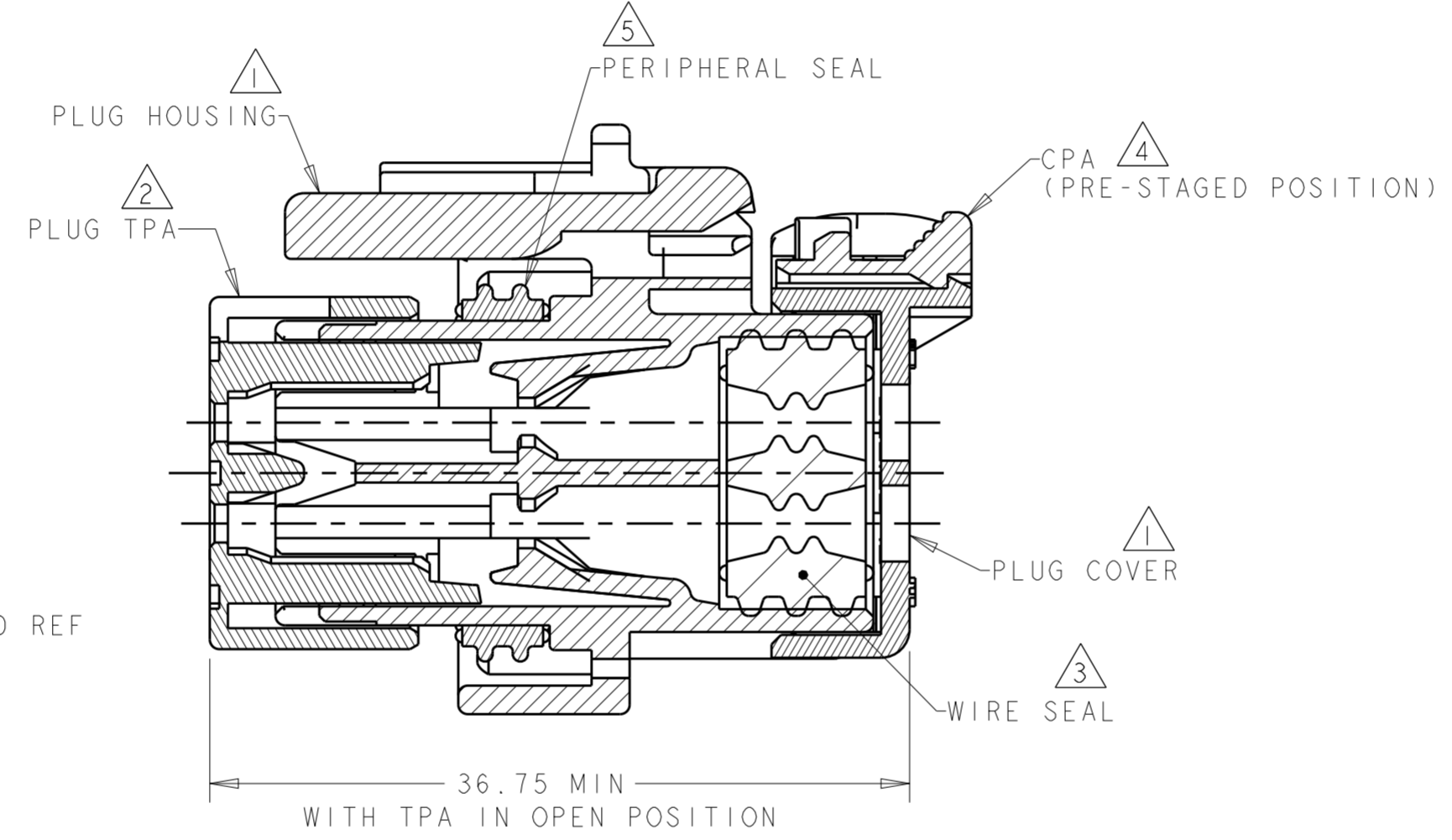
2320923-2 SHOWN SCALE 2:1



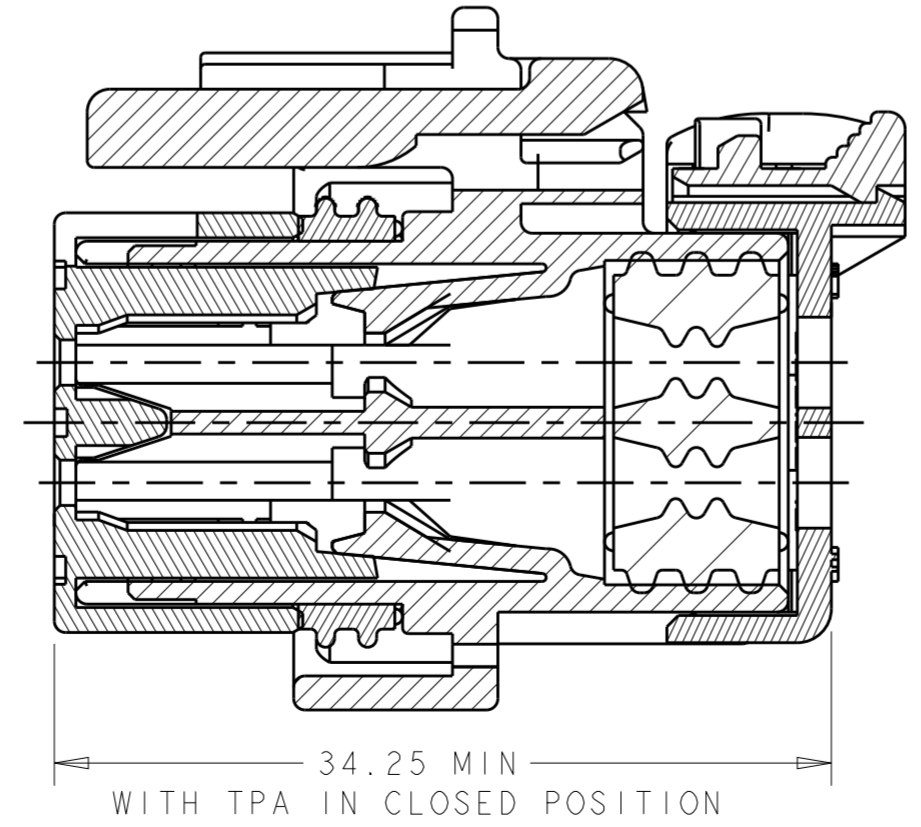
2320923-3 SHOWN SCALE 2:1



2320923-1 SHOWN

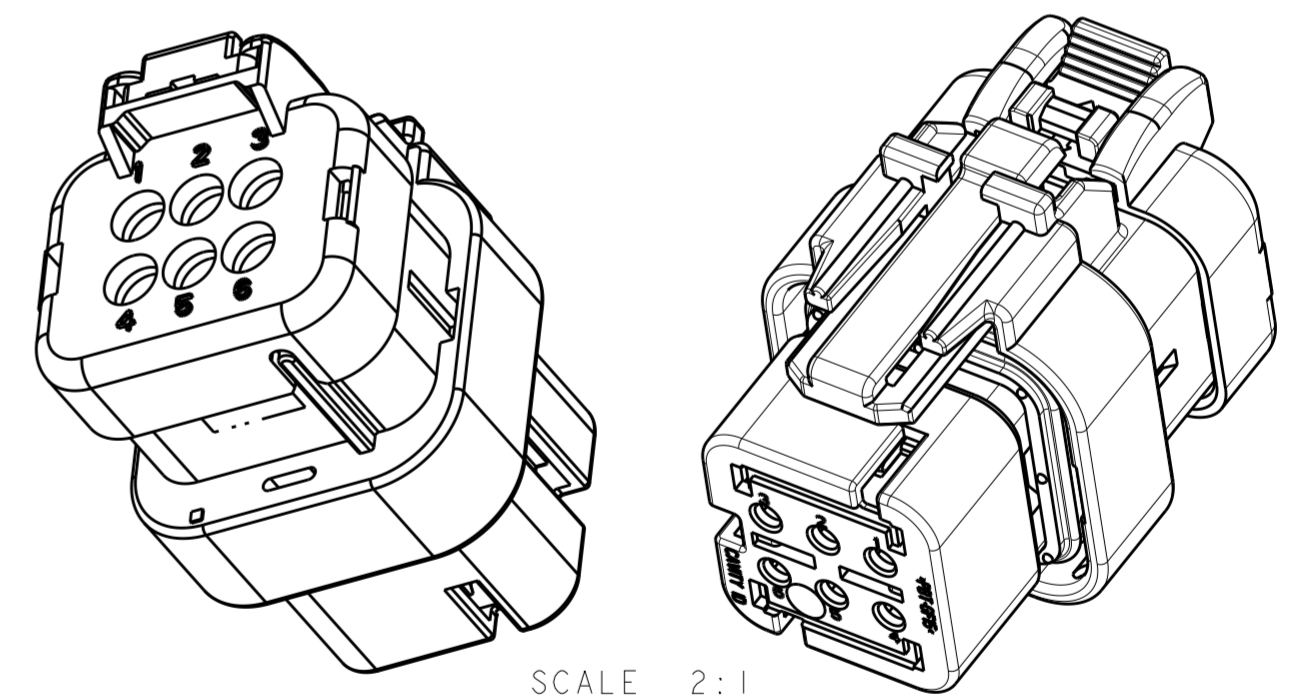


SECTION A-A



SECTION A-A

- 1 MATERIAL: 15% FIBERGLASS REINFORCED PBT
COLOR: GRAY
- 2 MATERIAL: 15% FIBERGLASS REINFORCED PBT
COLOR: (SEE TABLE)
- 3 MATERIAL: SILICONE
COLOR: MARINE BLUE
- 4 MATERIAL: 15% FIBERGLASS REINFORCED PBT
COLOR: ORANGE
- 5 MATERIAL: SILICONE
COLOR: BLUE
- 6. RECOMMENDED WIRE DIAMETER RANGE IS 2.18 TO 3.67mm.
- 7. RECOMMENDED BACKSHELLS:
STRAIGHT EXIT:
A. 2292800-1 SMOOTH WIRE EXIT
B. 2292800-2 NC16/NW13 CONDUIT WIRE EXIT
C. 2292800-3 NC12/NW10 CONDUIT WIRE EXIT
90° EXIT:
D. 2302493-1 SMOOTH WIRE EXIT
E. 2302493-2 NC16/NW13 CONDUIT WIRE EXIT
F. 2302493-3 NC12/NW10 CONDUIT WIRE EXIT
- 8. RECOMMENDED SEAL PLUG: 776363-1
- 9. MATING CONNECTOR: 2320916-X



SCALE 2:1

C	PURPLE	2320923-3
B	BLUE	2320923-2
A	TAN	2320923-1
KEY	TPA COLOR	PART NUMBER

THIS DRAWING IS A CONTROLLED DOCUMENT.		DWN J. MCNEAL 18SEP2018	STE TE Connectivity			
		CHK R. BALTER 18SEP2018				
		APVD R. BALTER 18SEP2018	NAME PLUG ASSEMBLY, 6 POSITION STD DIA SEAL, HIGH TEMP AMPSEAL 16			
DIMENSIONS: mm		PRODUCT SPEC 108-2184	SIZE A2	CAGE CODE -	DRAWING NO. C-2320923	RESTRICTED TO
TOLERANCES UNLESS OTHERWISE SPECIFIED:		APPLICATION SPEC 114-13065	SCALE 1:1	SHEET	OF	REV AI
0 PLC ±		WEIGHT 14±1g				
1 PLC ±						
2 PLC ±0.30						
3 PLC ±						
4 PLC ±						
ANGLES ±						
FINISH -						
MATERIAL -						
		CUSTOMER DRAWING				