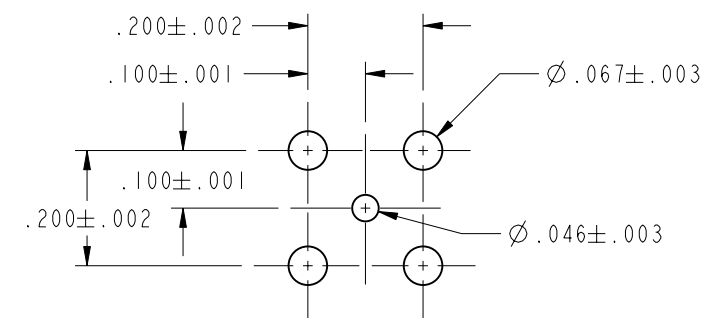
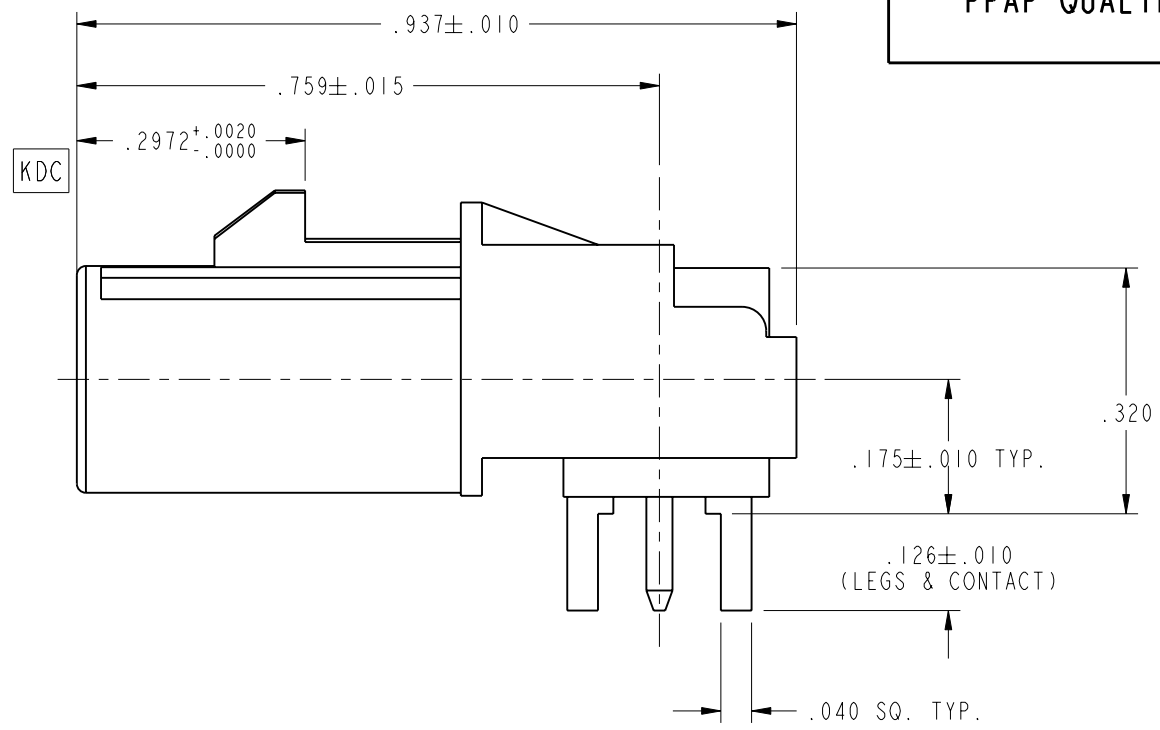
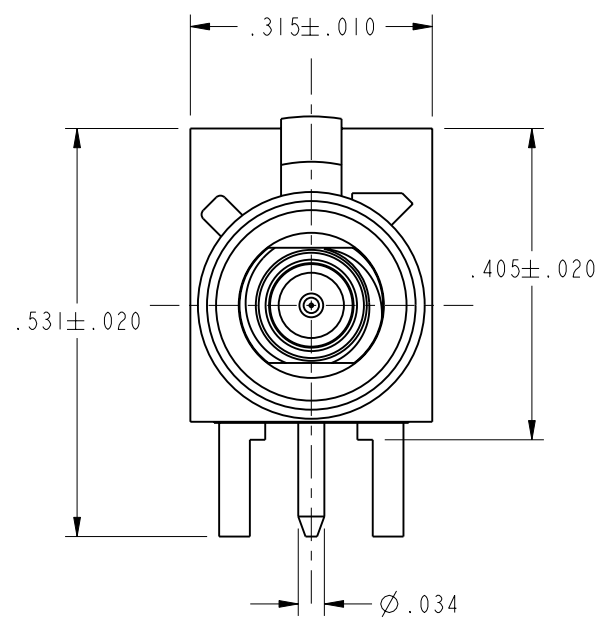
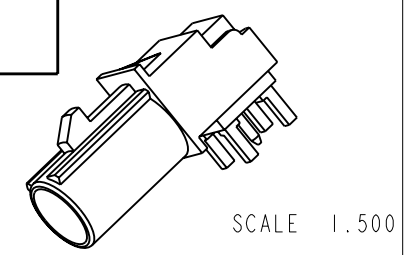


NOTES:

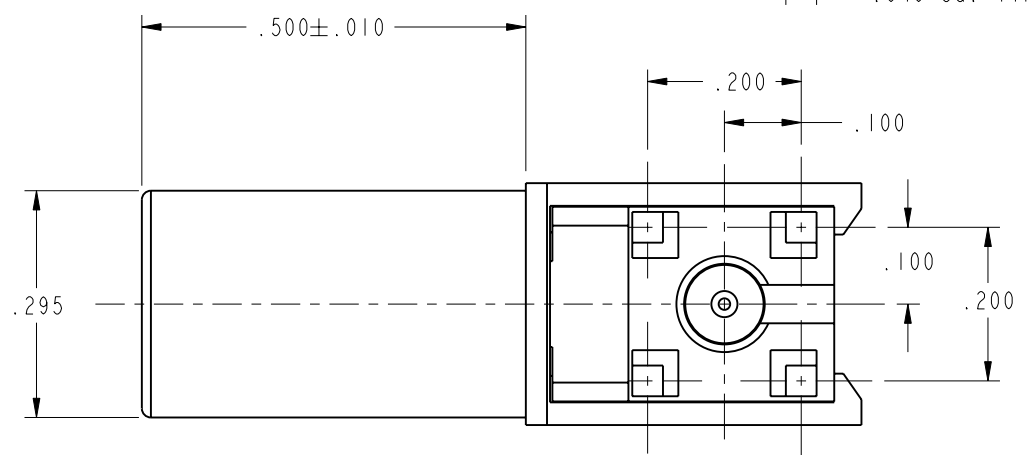
- MATERIALS AND FINISHES:
  - BODY - ZINC DIECAST (ZAMAK #3, ASTM-B86) - GOLD PLATED (.000010" MIN.) OVER NICKEL (.000200" MIN.)
  - CONTACT - BRASS (ASTM-B16 H02, C36000) - GOLD PLATED (.000030" MIN.) OVER NICKEL (.000080" MIN.)
  - INSULATORS (3) - PTFE PER ASTM D 1710 OR EQUIV.
  - HOUSING - PBT GRADE 4115202 (GLASS FILLED 15%), COLOR: (SEE TABLE BELOW)
- ELECTRICAL:
  - A. IMPEDANCE = 50 OHM
  - B. FREQUENCY RANGE = DC TO 2.5 GHz
- MECHANICAL:
  - A. DURABILITY = 100 CYCLES MIN.
  - B. TEMPERATURE RANGE = -65° C TO +125° C
  - C. HOUSING RETENTION = 10.0 LBS. MIN.
- PACKAGING:
  - A. QUANTITY: 100 PCS. PER BAG
  - B. BAG MARKING: AMPHENOL  
FAI-NXRP-PCB-6A (SEE TABLE)  
DATE CODE (YYWW)  
QTY: 100

FAI-NXRP-PCB-6A		REVISIONS			
DRAWING NO.	REV	DESCRIPTION	DATE	ECO	APPR
THIRD ANGLE PROJ.	A	RELEASE TO MFG	1/17/03	44332	CPM
	B	ADDED MISSING DIM'S	1/29/03	44350	CPM
	C	ADD FULL MATERIAL CALL OUT; ADD 'KDC'; ADD CONFIG BLOCK	7/18/03	44558	CPM

**CONFIGURATION CONTROL:**  
NO CHANGES PERMITTED TO DRAWING WITHOUT  
PPAP QUALIFIED CUSTOMER APPROVAL



RECOMMENDED PCB  
MOUNTING PATTERN  
SCALE 3.000



CODING	COLOR	RAL NUMBER	AMPHENOL RF PART NUMBER
A	DEEP BLACK	9005	FAI-NARP-PCB-6A
B	SIGNAL WHITE	9003	FAI-NBRP-PCB-6A
C	SIGNAL BLUE	5005	FAI-NCRP-PCB-6A
D	BORDEAUX VIOLET	4004	FAI-NDRP-PCB-6A
E	LEAF GREEN	6002	FAI-NERP-PCB-6A
F	BROWN	8011	FAI-NFRP-PCB-6A
G	BLUE GREY	7031	FAI-NGRP-PCB-6A
H	VIOLET	4003	FAI-NHRP-PCB-6A
I	BEIGE	1001	FAI-NIRP-PCB-6A
K	CURRY YELLOW	1027	FAI-NKRP-PCB-6A
Z	WATER BLUE	5021	FAI-NZRP-PCB-6A
L	DAHLIA YELLOW	1033	FAI-NLRP-PCB-6A
M	PASTEL GREEN	6019	FAI-NMRP-PCB-6A

**CUSTOMER OUTLINE DRAWING**  
ALL OTHER SHEETS ARE FOR INTERNAL USE ONLY

UNLESS OTHERWISE SPECIFIED, DIMENSIONS ARE IN INCHES AND TOLERANCES ARE: 2 PLACE DECIMAL ±.015 (0,381 mm) 3 PLACE DECIMAL ±.005 (0,127 mm) ANGLES ± 1°	MATERIAL	DRAWN C. McGRATH	DATE 1/9/03	TITLE FAKRA PLUG, R/A, PCB, KEY CODES A-Z (HOUSING INSTALLED)	Amphenol Amphenol Corporation Communication and Network Products Division Danbury, CT U.S.A. 06810		
	REFERENCE EAR# 833 GEN# ASSYF16_SMB GEN# FAI-NXRP-PCB-9-GENERIC KDC = KEY DESIGN CHARACTERISTIC	ENGINEER B.C. GLEISSNER	DATE 1/9/03			APPROVED O. BARTHELMES	DATE 1/15/03
NOTICE - These drawings, specifications, or other data (1) are, and remain the property of Amphenol Corp. (2) must be returned upon request; and (3) are confidential and not to be disclosed to any person other than those to whom they are given by Amphenol Corp. The furnishing of these drawings, specifications, or other data by Amphenol Corp., or to any other person to anyone for any purpose is not to be regarded by implication or otherwise in any manner licensing, granting rights or permitting such holder or any other person to manufacture, use or sell any product, process or design, patented or otherwise, that may in any way be related to or disclosed by said drawings, specifications, or other data.		CAD FILE I:\SMB\FAI-NXRP-PCB-6A	CODE ID 74868	DWG SIZE B	DRAWING NO. FAI-NXRP-PCB-6A	REV C	SCALE: 4.0:1 SHEET 2 OF 2