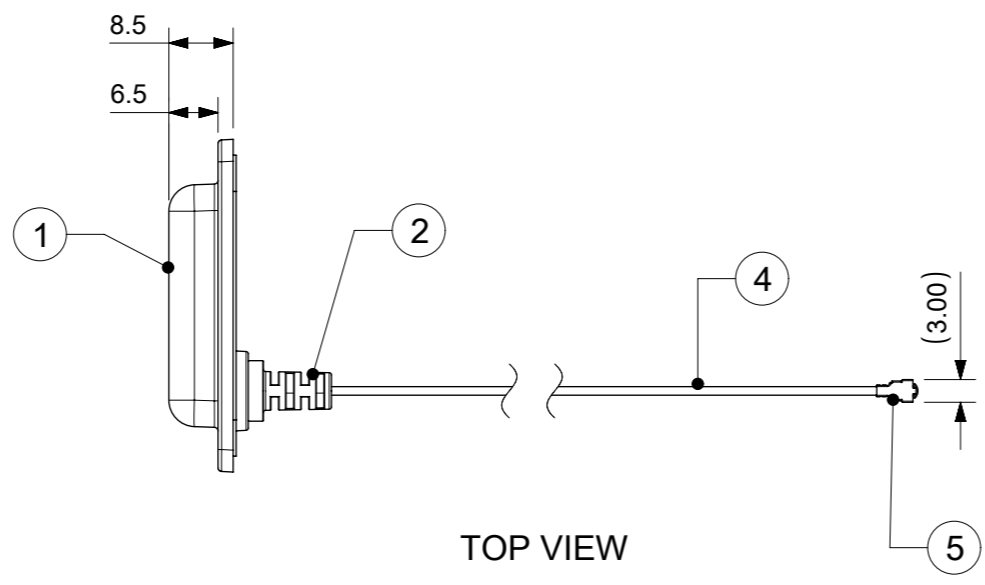
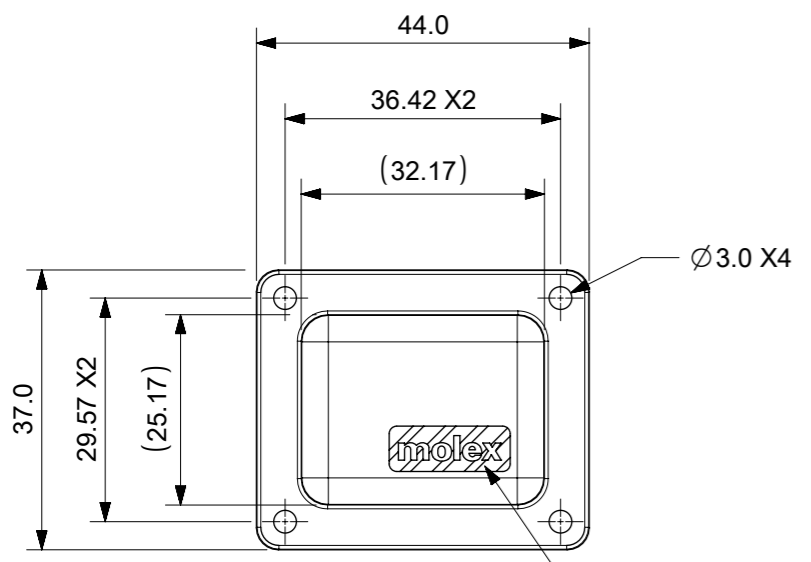


REV	DATE	DESCRIPTION
A	2020/05/22	NEW RELEASE
A1	2020/09/29	SYSTEM UPGRADE

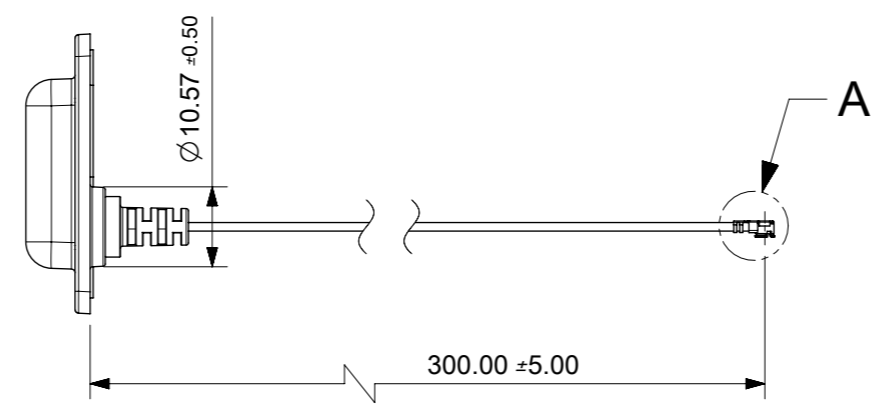
BOM		
ITEM	MATERIAL	DESCRIPTION
1	ANTENNA	PC/ABS;COLOR:BLACK
2	SEALING RING	SILICA GEL;COLOR:BLACK
3	ADHESIVE	HE-5904G;THICKNESS:0.4MM
4	CABLE	Ø1.13MM;COLOR:BLACK
5	CONNECTOR	MHF-I;GOLD PATING



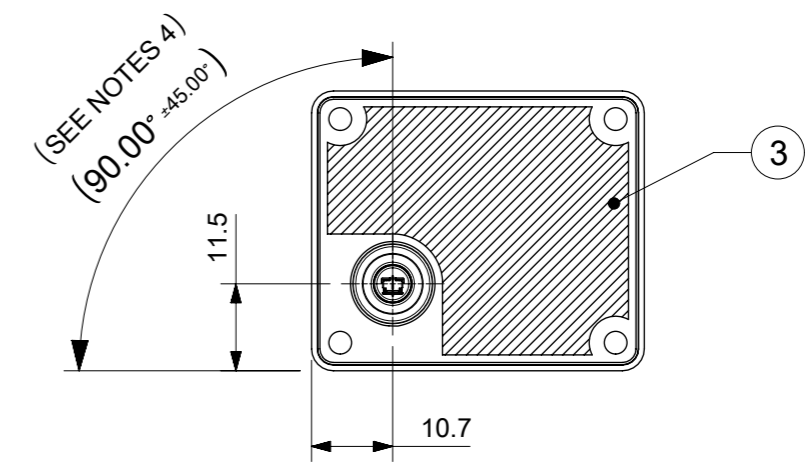
TOP VIEW



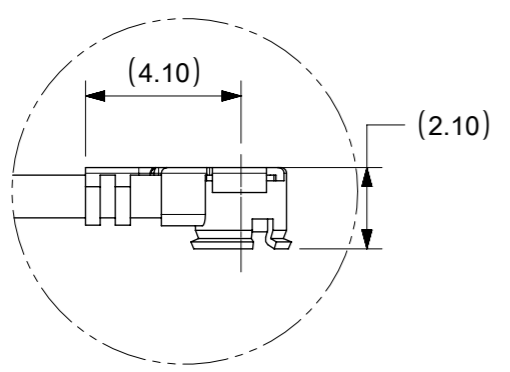
LEFT SIDE VIEW



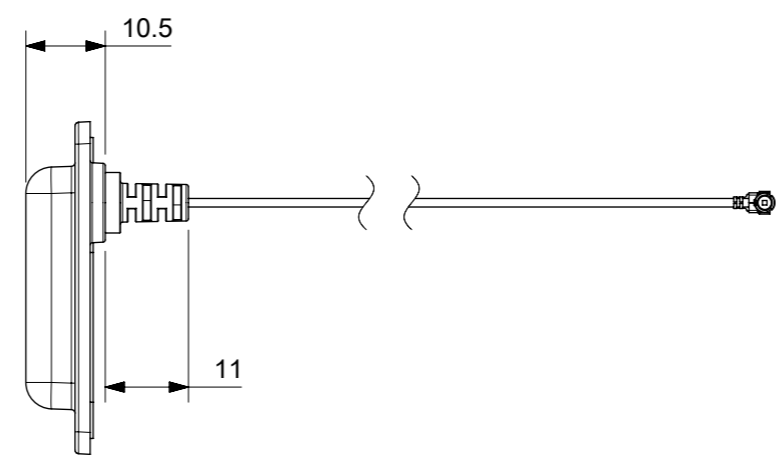
FRONT VIEW



RIGHT SIDE VIEW



DETAIL A
SCALE 5:1
MHF-I CONNECTOR



BOTTOM VIEW

- NOTES:
1. MATERIAL:SEE BOM.
 2. AFTER RF TEST,PLEASE USE CAP TO PROTECT CONNECTOR.
 3. ADHESIVE MATERIAL:HE-5904G.THICKNESS:0.4MM.
 4. THE CONNECTOR WILL HAVE A ROTATION ANGLE DEVIATION±45°.

FUNCTIONAL SYMBOLS	THIS DRAWING CONTAINS INFORMATION THAT IS PROPRIETARY TO MOLEX ELECTRONIC TECHNOLOGIES, LLC AND SHOULD NOT BE USED WITHOUT WRITTEN PERMISSION	CURRENT REV DESC:		molex																						
	<table border="1"> <tr> <th>DIMENSION UNITS</th> <th>SCALE</th> </tr> <tr> <td>mm</td> <td>1:2</td> </tr> </table>	DIMENSION UNITS	SCALE				mm	1:2	<table border="1"> <tr> <td>EC NO: 646146</td> <td>2020/09/29</td> </tr> <tr> <td>DRWN: KCHENG06</td> <td>2020/10/07</td> </tr> <tr> <td>CHK'D: XJSONG</td> <td>2020/10/07</td> </tr> <tr> <td>APPR: XJSONG</td> <td>2020/10/07</td> </tr> </table>		EC NO: 646146	2020/09/29	DRWN: KCHENG06	2020/10/07	CHK'D: XJSONG	2020/10/07	APPR: XJSONG	2020/10/07	MOLEX ON-METAL EXTERNAL WI-FI ANTENNA							
DIMENSION UNITS	SCALE																									
mm	1:2																									
EC NO: 646146	2020/09/29																									
DRWN: KCHENG06	2020/10/07																									
CHK'D: XJSONG	2020/10/07																									
APPR: XJSONG	2020/10/07																									
DIVISIONAL SYMBOLS	<table border="1"> <tr> <th colspan="2">GENERAL TOLERANCES (UNLESS SPECIFIED)</th> </tr> <tr> <td>ANGULAR TOL</td> <td>± 1.0°</td> </tr> <tr> <td>4 PLACES</td> <td>±</td> </tr> <tr> <td>3 PLACES</td> <td>±</td> </tr> <tr> <td>2 PLACES</td> <td>± 0.3</td> </tr> <tr> <td>1 PLACE</td> <td>± 0.5</td> </tr> <tr> <td>0 PLACES</td> <td>± 1.0</td> </tr> </table>	GENERAL TOLERANCES (UNLESS SPECIFIED)		ANGULAR TOL	± 1.0°	4 PLACES	±	3 PLACES	±	2 PLACES	± 0.3	1 PLACE	± 0.5	0 PLACES	± 1.0	<table border="1"> <tr> <td>INITIAL REVISION:</td> <td>2020/05/12</td> </tr> <tr> <td>DRWN: KCHENG06</td> <td>2020/09/25</td> </tr> <tr> <td>APPR: XJSONG</td> <td></td> </tr> </table>		INITIAL REVISION:	2020/05/12	DRWN: KCHENG06	2020/09/25	APPR: XJSONG		PRODUCT CUSTOMER DRAWING		
	GENERAL TOLERANCES (UNLESS SPECIFIED)																									
ANGULAR TOL	± 1.0°																									
4 PLACES	±																									
3 PLACES	±																									
2 PLACES	± 0.3																									
1 PLACE	± 0.5																									
0 PLACES	± 1.0																									
INITIAL REVISION:	2020/05/12																									
DRWN: KCHENG06	2020/09/25																									
APPR: XJSONG																										
DRAFT WHERE APPLICABLE MUST REMAIN WITHIN DIMENSIONS		THIRD ANGLE PROJECTION	DRAWING	SERIES	MATERIAL NUMBER	CUSTOMER	DOCUMENT NUMBER	DOC TYPE	DOC PART	REVISION																
			A3-SIZE	215868	2158680001	GENERAL MARKET	2158680001	PSD	000	A1																