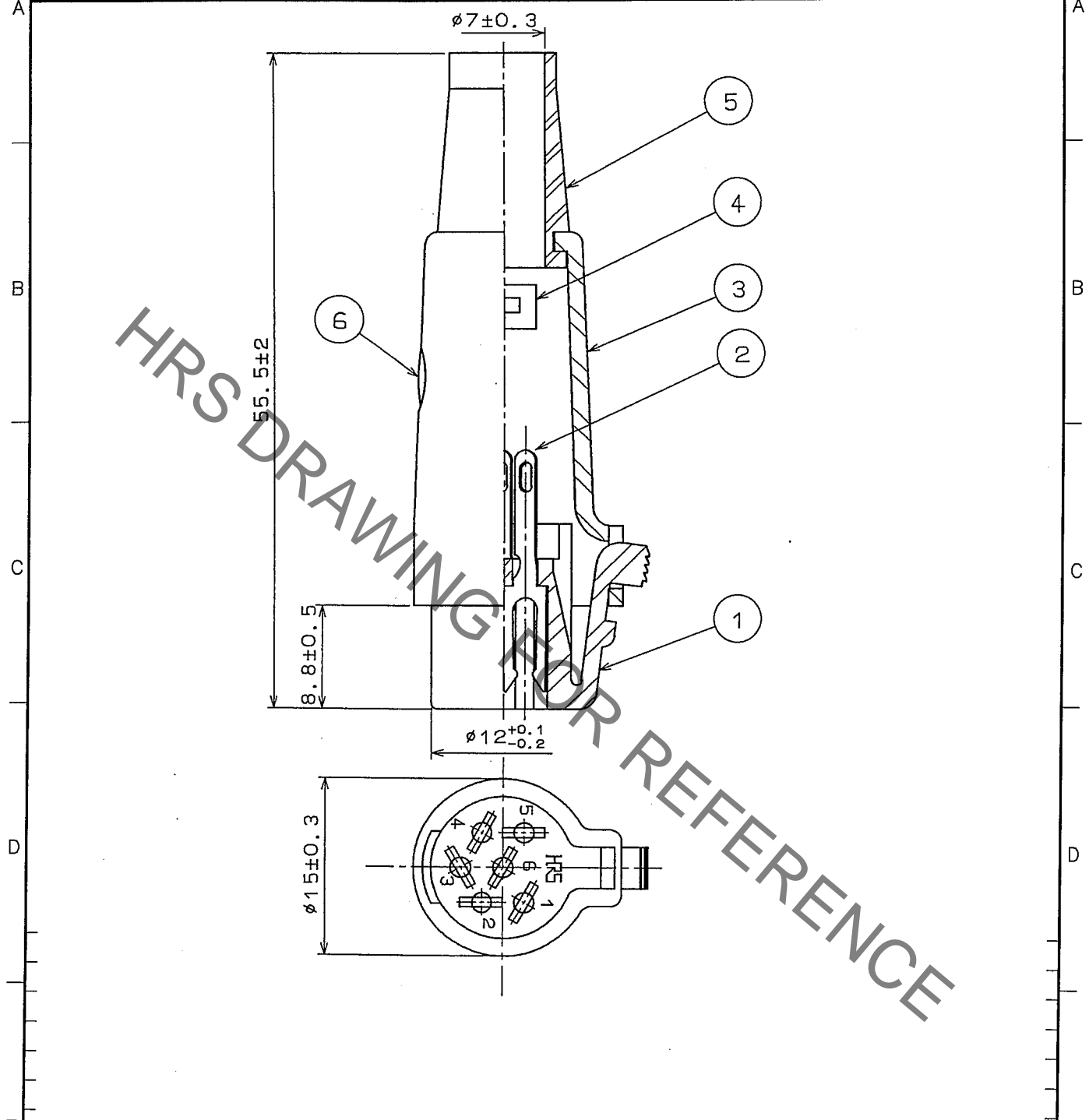


Jan.1.2021 Copyright 2021 HIROSE ELECTRIC CO., LTD. All Rights Reserved.  
In case of consideration for using Automotive equipment / device which demand high reliability, kindly contact our sales window correspondents.

1		2			3			4		
COUNT	DESCRIPTION OF REVISIONS	BY	CHKD	DATE	COUNT	DESCRIPTION OF REVISIONS	BY	CHKD	DATE	
△					△					
△					△					
△					△					



3	POLYACETAL	(BLACK)	6	BRASS	NICKEL PLATING
2	PHOSPHOR BRONZE	SILVER PLATING 4μm min.	5	POLYVINYLCHLORIDE	(BLACK)
1	POLYACETAL	(BLACK)	4	BRASS	NICKEL PLATING
NO.	MATERIAL	FINISH, REMARKS	NO.	MATERIAL	FINISH, REMARKS

CODE NO. (OLD) CL	DRAWN E. Yumino 05.09.28	DESIGNED E. Yumino 05.09.28	CHECKED H. Zemba 05.09.28	APPROVED M. Sato 05.09.28	RELEASED
----------------------	--------------------------------	-----------------------------------	---------------------------------	---------------------------------	----------

DRAWING NO. EDC4-005902-72 HIROSE ELECTRIC CO., LTD.	PART NO. RPC1-12P-6S(72) CODE NO. CL113-0001-8-72	1/1
--	--	-----

TO  
R