

spec ref		dr Chen-Hong Tan		2006/05/02		projection 	MM ←→	size	A4	scale	2:1	
tolerance std		eng Terry Luo		2019/04/24				ecn no	ELX-DG-33324-1			
ASME Y14.5		chr -		-				rel level	Released			
-		appr Heaven Cen		2019/04/25		product family		AirMax Accessories		rev		
surface 3.2 ASME Y14.5	linear	0.X	±0.3	Amphenol FCi	title			dwg no	10066832		rev	
		0.XX	±0.10		7.2mm GUIDE PIN							
0.XXX	±0.050	25.3mm LONG, W/ INTERNAL THREAD										
angular	0°	±2°	cat. no.	-	Product - Customer Drw			sheet 1 of 2				

A

B

C

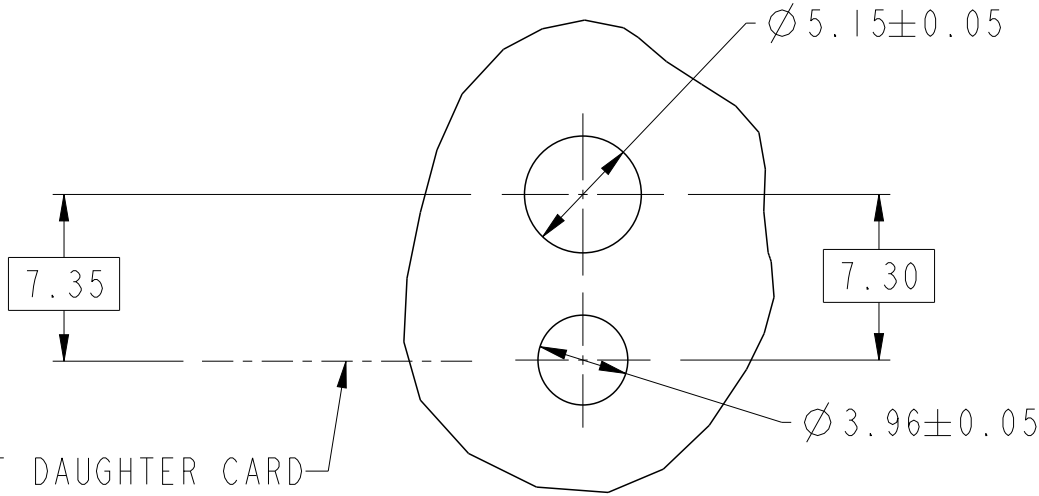
D

A

B

C

D



SEE NOTE 3 & 4
SCALE 3:1

1. MATERIAL: ZINC ALLOY.
2. FINISH: ZINC YELLOW CHROMATE.
- ③ APPLICATION SPECIFICATION: GS-20-045
- ④ REFER TO CUSTOMER DRAWING 10035911 FOR INFORMATION REGARDING PCB LAYOUT OF POWER AND GUIDE MODULES RELATIVE TO SIGNAL MODULES.
5. THIS PRODUCT MEETS EUROPEAN UNION DIRECTIVES AND OTHER COUNTRY REGULATIONS AS DESCRIBED IN GS-22-008
6. PACKAGING MEETS GS-14-920 LEAD FREE LABELING SPECIFICATION.

spec ref		dr Chen-Hong Tan		2006/05/02		projection 	MM 	size	A4	scale	3:10	
tolerance std ASME Y14.5	TOLERANCES UNLESS OTHERWISE SPECIFIED		eng Terry Luo		2019/04/24			ecn no		ELX-DG-33324-1		
			chr -		-			rel level		Released		
surface 3.200 linear		0.X	±0.3	Amphenol FCi		title 7.2mm GUIDE PIN		dwg no 10066832		rev C		
ASME Y14.5		0.XX	±0.10									
angular		0°	±2°	cat. no.		-		Product - Customer Drw		sheet 2 of 2		