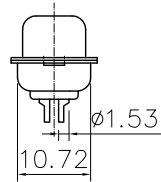
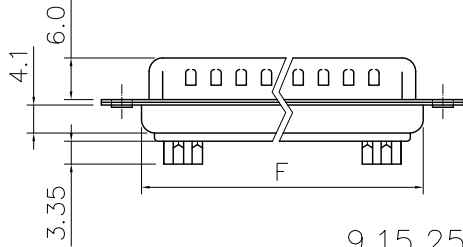
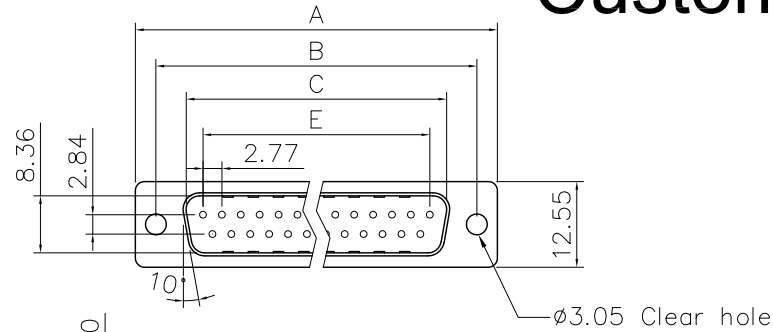
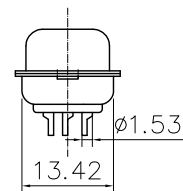
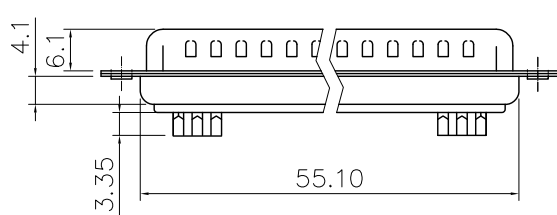
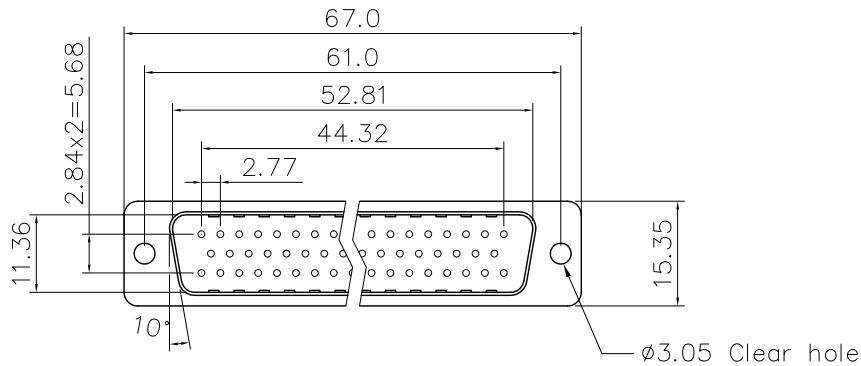


Whole or in part, for manufacture or sale by anyone other than Amphenol Corporation without its prior consent, & that no right is granted to disclose or to use any information in this document.

Customer drawing



9,15,25,37 Positions



50 Positions



Dimensions

Positions	A	B	C	E	F
9	30.81	24.99	16.92	11.08	19.20
15	39.20	33.30	25.25	19.39	27.70
25	53.04	47.04	38.96	33.24	41.10
37	69.40	63.50	55.42	49.86	57.30

SYM	ECN	DESCRIPTION	DATE	APPR
1	HK--	First Release Drawing	03/20/08	I
2	HK--	Update contact tail length	07/04/12	I
3	HK--	Change dim. 30.84 to 30.81mm	08/27/13	I
4	HK--	Add pin diameter	11/14/13	I

D-SUB TECHNICAL DATA

SHELL : Steel, 100u" Tin Over 50u" min nickel over 50u" min Copp
 BODY : Glass-Filled Thermoplastic PBT,UL94V-0
 CONTACTS : Copper alloy
 15u"Gold over 50u" nickel on mating area
 100u" tin over 50u" nickel on solder area
 ELECTRICAL : Voltage rating 250 VAC/RMS
 Current Rating :3 AMP
 Withstanding Voltage >1000 VAC/RMS
 Insulation resistance >1000 M Ohms
 Contact resistance 20 mOhms max
 MARKING : Amphenol-...(Series No.)
 Commercial reference
 Manufacturing date

PRODUCT CODE

L 777 SD X XX P

L: RoHS Compliance

777: tinned shell +
dimples for plug

SD: standard density

Contact type:
P=pin

Configuration: 09,15,25,37,50

Shell Size: E,A,B,C,D

UNLESS OTHERWISE SPECIFIED TOLERANCES		APPROVAL		DATE	Amphenol
U.S.	METRIC	DRAWN	Feliz Liu	08/27/13	
X +/-	0.50	CHECKED	Tony Tang	08/27/13	Amphenol East Asia Lim
.XX +/-	0.30	CHECKED			
.XXX +/-	0.20				TITLE
FRACTIONS +/-	5'	DRAWING FILE :			Stamped and formed contacts, SD S
ANGLES +/-		ANGLE OF PROJECTION			SIZE DRAWING NO.
FOR MATERIALS AND FINISHES SEE NOTES					A4 C L777SDXXXXP
REMOVE SHARP EDGES					SCALE NONE SHEET 1 OF 1
DIMENSIONS					
U.S.	INCHES				
METRIC	MM				