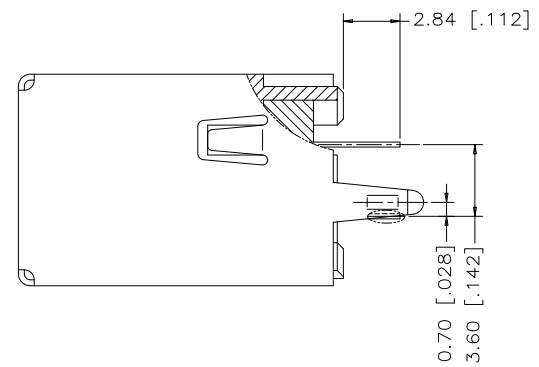
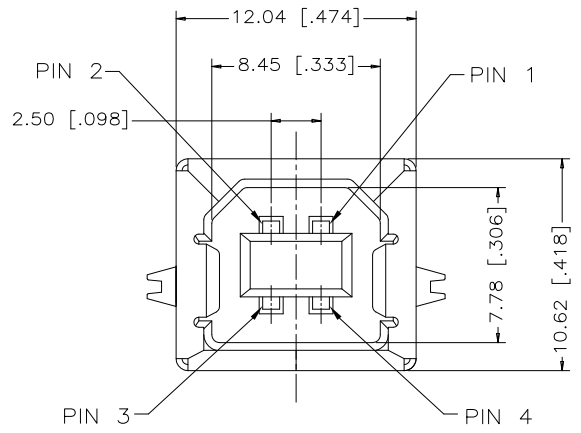
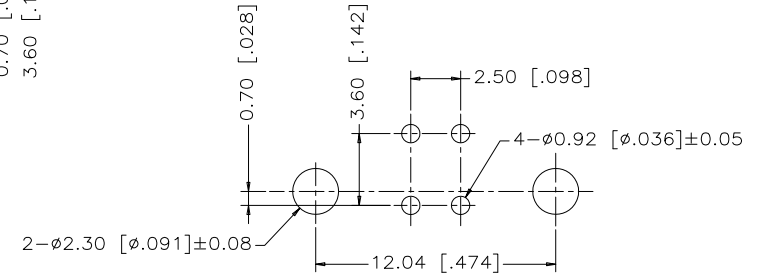


REVISIONS				
SYM	ZONE	ECN, ERN NO.	DATE	APPRD.
E		REVISED PER EAR 13822	JAN18/11	L.C.

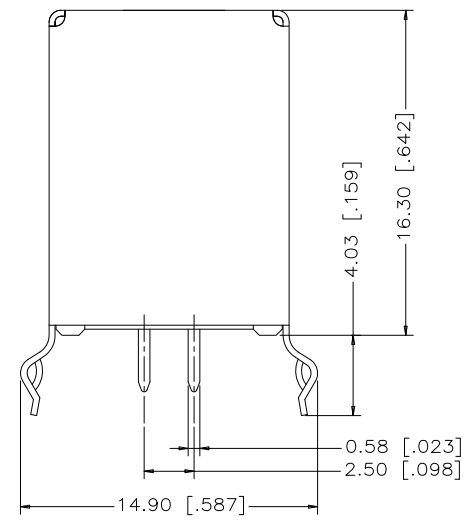


**NOTES:**

- HOUSING:** HIGH TEMPERATURE THERMOPLASTIC OR POLYESTER(PBT) (SEE PART NUMBER)  
 FLAMMABILITY UL94V-0  
 COLOUR: SEE PART NUMBER
- CONTACTS:** PHOSPHOR BRONZE  
 CONTACT PLATING: SEE AMPHENOL PART NUMBER SYSTEM FOR PLATING OPTIONS  
 50µin[1.27 MICRONS] MIN. NICKEL UNDERPLATE
- SHELL:** PHOSPHOR BRONZE  
 PLATING: NICKEL OVER COPPER UNDERPLATE.



**RECOMMENDED PC BOARD LAYOUT**  
 (COMPONENT SIDE OF BOARD)



AMPHENOL PART NO.: UE27-BEX4-X0X

SERIES \_\_\_\_\_  
 UE27=RECEPTACLE

TYPE \_\_\_\_\_  
 B=SERIES B

STYLE \_\_\_\_\_  
 E=STRAIGHT PCB (TOP ENTRY)

CONTACT PLATING \_\_\_\_\_  
 5=30µin[0.76 MICRONS] GOLD OVER NICKEL ON CONTACT MATING AREA.  
 100µin[2.54 MICRONS] TIN OVER NICKEL ON CONTACT SOLDER AREA.  
 7=GOLD FLASH OVER NICKEL ON CONTACT MATING AREA.  
 100µin[2.54 MICRONS] TIN OVER NICKEL ON CONTACT SOLDER AREA.

MODIFIER  
 0=POLYESTER HOUSING (PBT)  
 H=HIGH TEMP MATERIAL (MAX TEMPERATURE RATING 260°C FOR 10s)

SHIELDING  
 0=NO REAR SHIELD

COLOUR  
 1=BLACK  
 2=BEIGE(AVAILABLE IN STANDARD TEMP.ONLY)

NUMBER OF CONTACTS  
 4=4 CONTACTS



MATERIAL	DRAWN	MTChen	DATE	JUL 26.06
	DESIGNED	MTChen	DATE	JUL 26.06
	CHECKED	L.CHAN	DATE	JUL 26.06
	I. E. APPRD.			
FINISH	Q. A. APPRD.			
	DWG. APPRD.			
	ENG. REL. NO.			
	REF.	EAR 12968		
	DIMENSIONS ARE IN		CODE ID. NO.	
	mm[INCHES]		03554	

Amphenol Canada Corp.			
TITLE UNIVERSAL SERIAL BUS RECEPTACLE, SERIES B, STRAIGHT PCB TAIL, VERTICAL MOUNT-RoHS COMPLIANT			
DWG	DRAWING NO.	REV.	
C	P-UE27-BEX4-X0X	E	
SCALE	5/1	WT.	-----
SURF.	-----	SHEET	1 OF 1

THIS DOCUMENT CONTAINS PROPRIETARY INFORMATION AND SUCH INFORMATION MAY NOT BE DISCLOSED TO OTHERS FOR ANY PURPOSE OR USED FOR MANUFACTURING PURPOSES WITHOUT WRITTEN PERMISSION FROM AMPHENOL CANADA CORP.