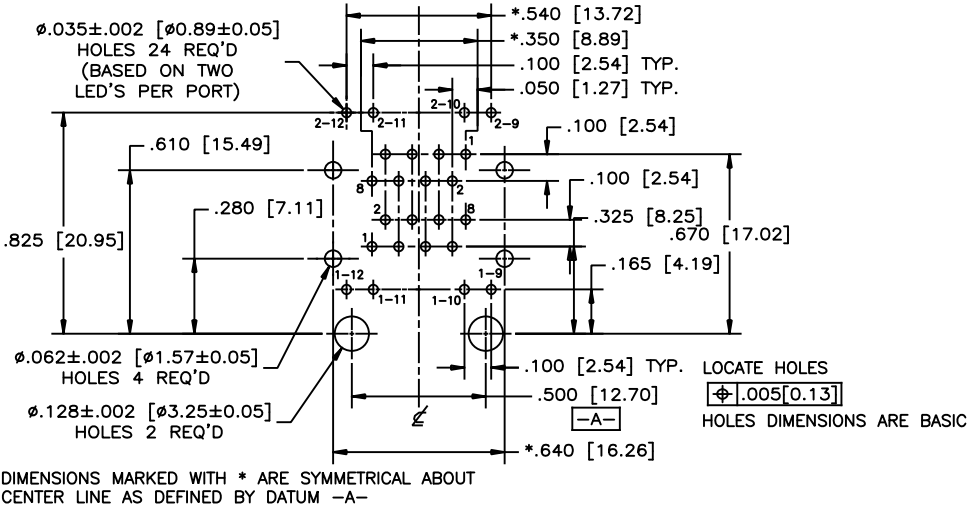
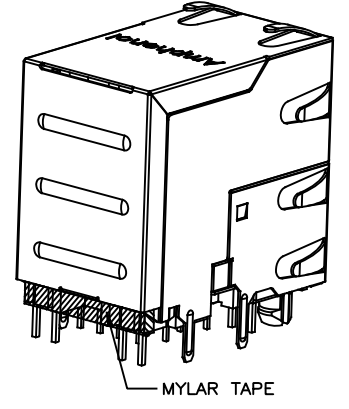
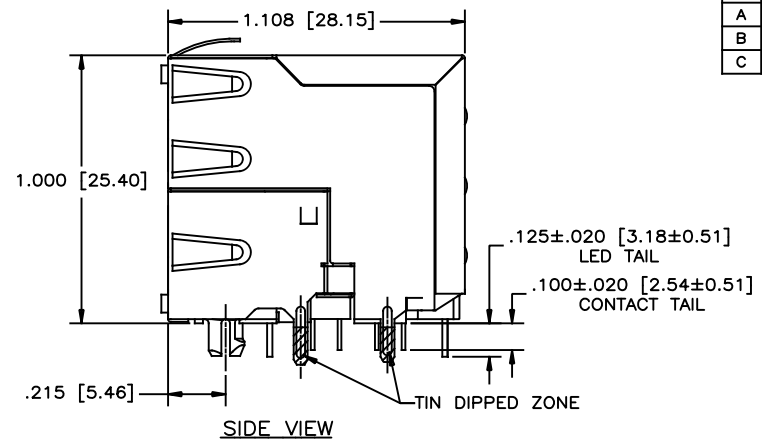
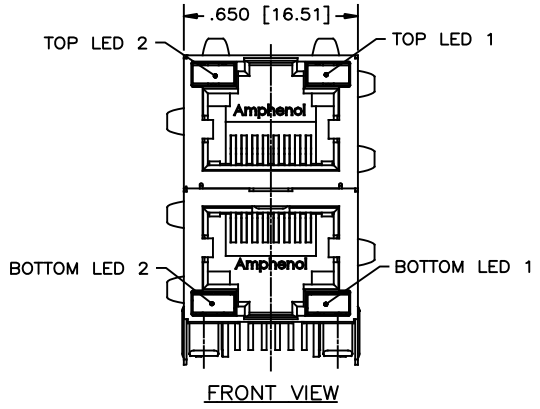


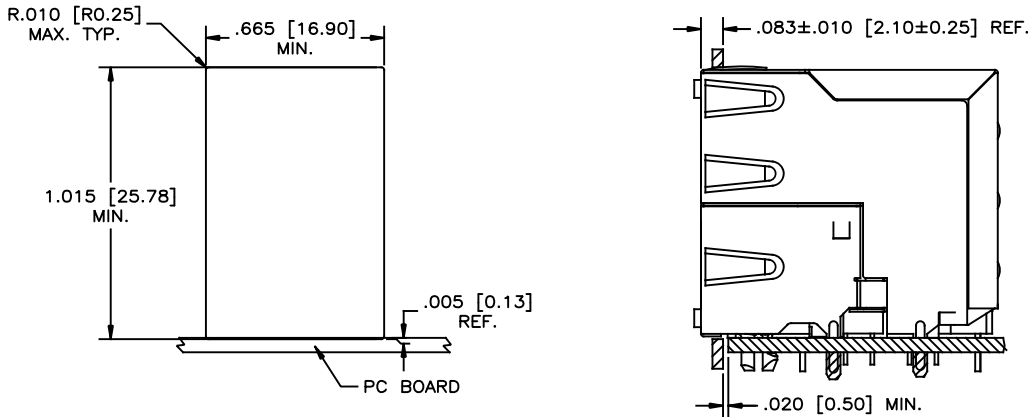
| REVISIONS | | | |
|-----------|---------------------------------------|-----------|--------|
| REV | DESCRIPTION, EGN, EAR NO. | DATE | APP'D |
| A | PROPOSAL | AUG31/15 | L.CHAN |
| B | ADD MYLAR TAPE NOTES PER EAR# RJ18006 | JAN.23/18 | L.CHAN |
| C | ADD LED INFORMATION ON PAGE 2 | AUG28/20 | L.CHAN |



MATERIALS:
CONTACTS: PHOSPHOR BRONZE, SELECTIVELY PLATED GOLD PLATING ON MATING AREAS REFER TO AMPHENOL PART NO. 50 MICROINCHES MIN. NICKEL OVERALL. 100 MICROINCHES MIN. MATTE TIN OR GOLD FLASH ON TAILS.
HOUSING: ENGINEERING PLASTIC. FLAMMABILITY RATING UL 94V-0, BLACK
SHIELD: COPPER ALLOY. PLATING: NICKEL WITH TIN DIPPED PCB TAILS.
MYLAR TAPE: POLYESTER FILM. 0.06MM THICKNESS.

RECOMMENDED SOLDERING TEMPERATURE:
 WAVE SOLDERING AT 260°C MAXIMUM FOR 5~8 SECONDS.

AMPHENOL PART NO.: RJSAE-X38X-02X
 GOLD PLATING OPTION:
 D=6u" GOLD PLATING
 G=15u" GOLD PLATING
 J=30u" GOLD PLATING
 5=50u" GOLD PLATING
 REFER TO LED OPTIONS DRAWING FOR ORDERING CODES

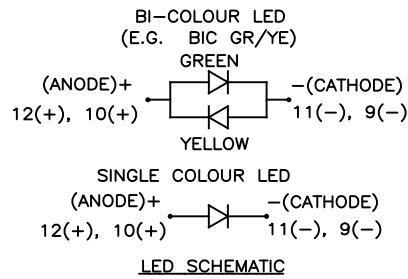
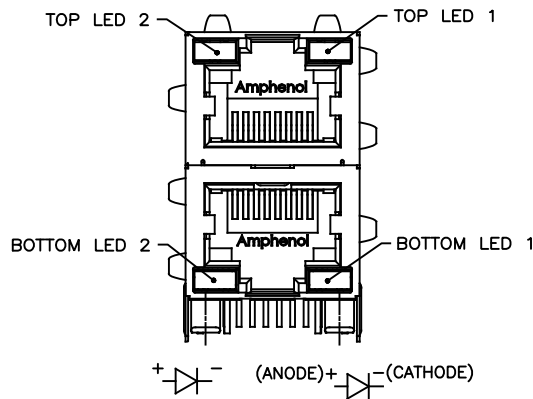


| | | | |
|----------------------------|------------------------|----------|----------|
| UNLESS SPECIFIED OTHERWISE | DRAWN | JACK.GUO | AUG31/15 |
| PRIMARY UNITS INCHES | CHECKED | | |
| SECONDARY MILLIMETERS | M.E. APP'D | | |
| REFERENCE IN PARENTHESES | Q.A. APP'D | | |
| GENERAL TOLERANCES | DWG APP'D | L.CHAN | AUG31/15 |
| 1 DECIMAL PLACE | ENG. REL. NO. | | |
| 2 DECIMAL PLACES | REF. | | |
| 3 DECIMAL PLACES ±.015 | THIRD ANGLE PROJECTION | | |
| ANGULAR DEGREES ±1.5° | DO NOT SCALE DRAWING | | |

| | |
|--|-----------------------------------|
| Amphenol Canada Corp. Commercial Products | |
| STACKABLE 2x1 PORT MODULAR JACK, 8 POSITION, 8 CONTACTS, WITH LEDs, SHIELDED- RoHS COMPLIANT | |
| DWG NO. | REV |
| P-RJSAE-X38X-02X | C |
| CODE ID NO. 03554 | DWG SIZE X SCALE N/A SHEET 1 OF 2 |

THIS DOCUMENT CONTAINS PROPRIETARY INFORMATION AND SUCH INFORMATION MAY NOT BE DISCLOSED TO OTHERS FOR ANY PURPOSE OR USED FOR MANUFACTURING PURPOSES WITHOUT WRITTEN PERMISSION FROM AMPHENOL CANADA CORP.

| REVISIONS | | | |
|-----------|---------------------------------------|-----------|--------|
| REV | DESCRIPTION, ECN, EAR NO. | DATE | APP'D |
| A | PROPOSAL | AUG31/15 | L.CHAN |
| B | ADD MYLAR TAPE NOTES PER EAR# RJ18006 | JAN.23/18 | L.CHAN |
| C | ADD LED INFORMATION ON PAGE 2 | AUG28/20 | L.CHAN |



LED SPECIFICATIONS:

FORWARD VOLTAGE:

1.8~2.4 VOLTS.(FOR SINGLE COLORS)
2.6~3.4 VOLTS.(FOR BI-COLORS)

REVERSE VOLTAGE: 5.0 VOLTS MAX.

LUMINOUS INTENSITY:

6~60 mcd (FOR SINGLE COLORS) (AT If=20mA)
3~15 mcd (FOR BI-COLORS) (AT If=20mA)

OPERATING TEMPERATURE: -40°C TO 85° C

WAVE SOLDERING TEMPERATURE: 260° C (5 SEC, 1/16" FROM CASE)

PLATING ON TAILS: TIN OR TIN/COPPER ALLOY OVER SILVER

PRIMARY COLOR FOR BI-COLOR

LEDS IN STANDARD ANODE/
CATHODE CONFIGURATION IS:

RED-GREEN= RED
RED-YELLOW= RED
GREEN-YELLOW= GREEN
GREEN-ORANGE= GREEN

LEGEND

BIC=BI-COLOR LED
LOWC=LOW CURRENT LED
YE=YELLOW
GR=GREEN
RD=RED
OR=ORANGE

NOTE:

THE TWO DIGITS PRECEDING THE
ADDITIONAL LED CODE MUST BE
USED IN THE PART NUMBER, WHEN
ORDERING ANY OF THE ADDITIONAL
LED OPTIONS.

EXAMPLE:1

PART NUMBER RJSAE-538X-02

↑
STANDARD LED COLOR CODE

EXAMPLE:2

PART NUMBER RJSAE-538U-02-XX

↑
BOTTOM ASSY LED (SAME AS STANDARD CODE)

↑
TOP ASSY LED (SAME AS STANDARD CODE)

↑
SPECIAL CODE FOR TOP
& BOTTOM LEADS CONFIGURATION

STANDARD LED COLOR CODE:

| CODE | LED 2 (LEFT) | LED 1 (RIGHT) | CODE | LED 2 (LEFT) | LED 1 (RIGHT) | CODE | LED 2 (LEFT) | LED 1 (RIGHT) |
|------|--------------|---------------|------|---|---------------|------|--------------|---------------|
| 0 | BLOCKED | BLOCKED | 9 | GREEN | BLOCKED | J | BiC RD/GR | YELLOW |
| 1 | YELLOW | GREEN | A | BiC GR/YE | BiC GR/YE | K | YELLOW | BiC GR/OR |
| 2 | BLOCKED | GREEN | B | BiC RD/GR | BiC RD/GR | L | BiC GR/YE | RED |
| 3 | YELLOW | BLOCKED | C | BiC RD/GR | BiC GR/YE | M | RED | YELLOW |
| 4 | GREEN | YELLOW | D | GREEN | BiC GR/YE | N | BiC GR/RD | BiC GR/YE |
| 5 | GREEN | GREEN | E | YELLOW | BiC GR/YE | P | GREEN | BiC RD/GR |
| 6 | YELLOW | YELLOW | F | BiC GR/YE | YELLOW | R | BiC GR/OR | GREEN |
| 7 | RED | GREEN | G | BiC GR/OR | BiC GR/OR | T | RED | RED |
| 8 | GREEN | RED | H | BiC GR/YE | GREEN | V | BiC RD/GR | GREEN |
| | | | W | ADDITIONAL OPTIONS | | | | |
| | | | U | SPECIAL CODE FOR TOP & BOTTOM LEADS CONFIGURATION | | | | |

EXAMPLE:3

PART NUMBER RJSAE-538W-02X

↑
ADDITIONAL LED COLOR CODE

↑
DENOTES ADDITIONAL LED OPTIONS TO BE USED

ADDITIONAL LED COLOR CODE:

| CODE | LED 2 (LEFT) | LED 1 (RIGHT) | CODE | LED 2 (LEFT) | LED 1 (RIGHT) | CODE | LED 2 (LEFT) | LED 1 (RIGHT) |
|------|--------------|---------------|------|--------------|---------------|------|--------------|---------------|
| 0 | DO NOT USE | | 5 | BLOCKED | YELLOW | A | LOWC YE | LOWC YE |
| 1 | RED | BLOCKED | 6 | RED | BiC RD/GR | B | LOWC YE | LOWC GR |
| 2 | BiC GR/OR | YELLOW | 7 | BLOCKED | BiC RD/GR | C | LOWC GR | LOWC YE |
| 3 | YELLOW | RED | 8 | BiC RD/GR | BLOCKED | D | LOWC GR | LOWC GR |
| 4 | BLOCKED | RED | 9 | BiC GR/YE | BLOCKED | M | LOWC RD | LOWC YE |
| | | | | | | N | GREEN | BiC GR/OR |
| | | | | | | E | GREEN | ORANGE |
| | | | | | | F | ORANGE | GREEN |
| | | | | | | G | BiC YE/GR | BiC YE/GR |
| | | | | | | P | BiC RD/YE | GREEN |
| | | | | | | R | BiC RD/YE | BiC RD/YE |
| | | | | | | T | BiC GR/YE | BiC RD/GR |
| | | | | | | H | BLUE | RED |
| | | | | | | L | YELLOW | BiC YE/GR |



| | | |
|----------------------------|------------------------|----------------------|
| UNLESS SPECIFIED OTHERWISE | DRAWN JACK.GUO | AUG31/15 |
| PRIMARY UNITS INCHES | CHECKED | |
| SECONDARY MILLIMETERS | M.E. APP'D | |
| REFERENCE IN PARENTHESES | Q.A. APP'D | |
| GENERAL TOLERANCES | DWG APP'D L.CHAN | AUG31/15 |
| 1 DECIMAL PLACE | ENG. REL. NO. | |
| 2 DECIMAL PLACES | REF. | |
| 3 DECIMAL PLACES ±.015 | | |
| ANGULAR DEGREES ±1.5° | THIRD ANGLE PROJECTION | DO NOT SCALE DRAWING |

Amphenol Canada Corp.
Commercial Products

STACKABLE 2x1 PORT MODULAR JACK,
8 POSITION, 8 CONTACTS, WITH LEDs,
SHIELDED- RoHS COMPLIANT

| | | | |
|-------------|------------------|----------|--------|
| DWG NO. | P-RJSAE-X38X-02X | REV | C |
| CODE ID NO. | 03554 | DWG SIZE | X |
| SCALE | N/A | SHEET | 2 OF 2 |