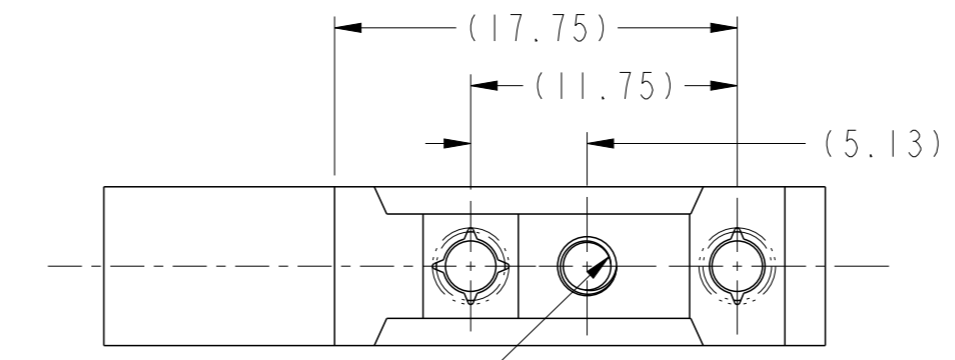
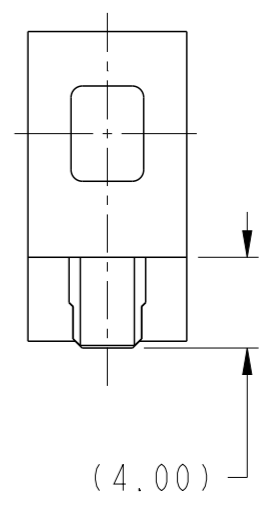
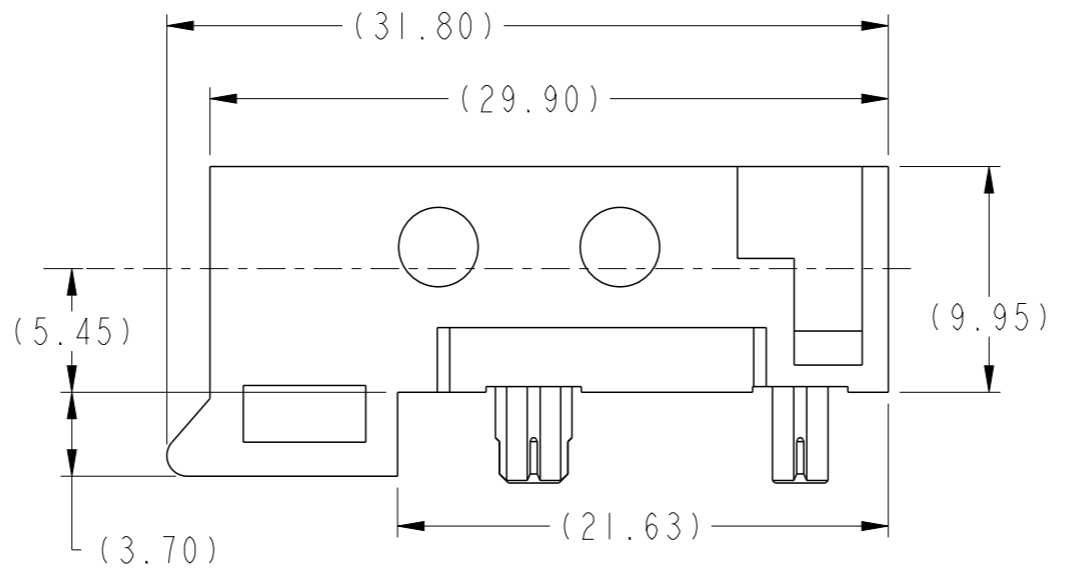
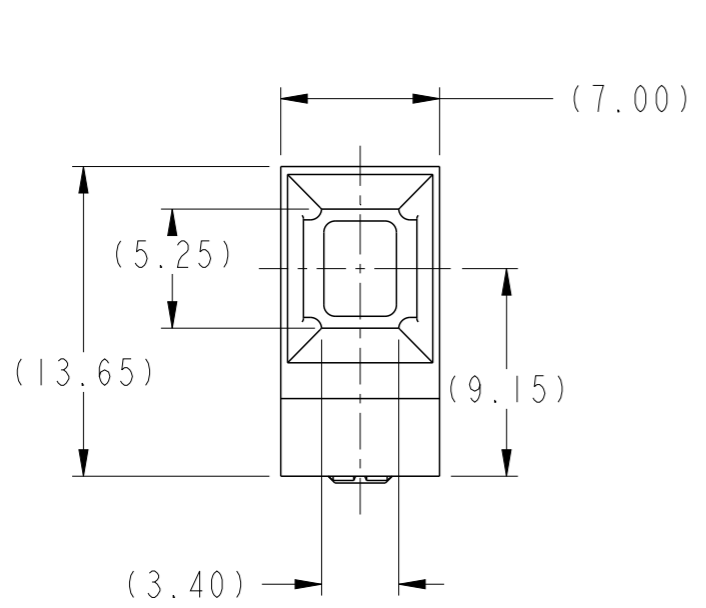


PRODUCT NUMBER  
SEE TABLE, SHT 2



M3 x 0.5-6H  
x 3.0 DEEP  
(0.3 x 45° CHAMFER)

Amphenol  
FCi

© 2016 AFCI

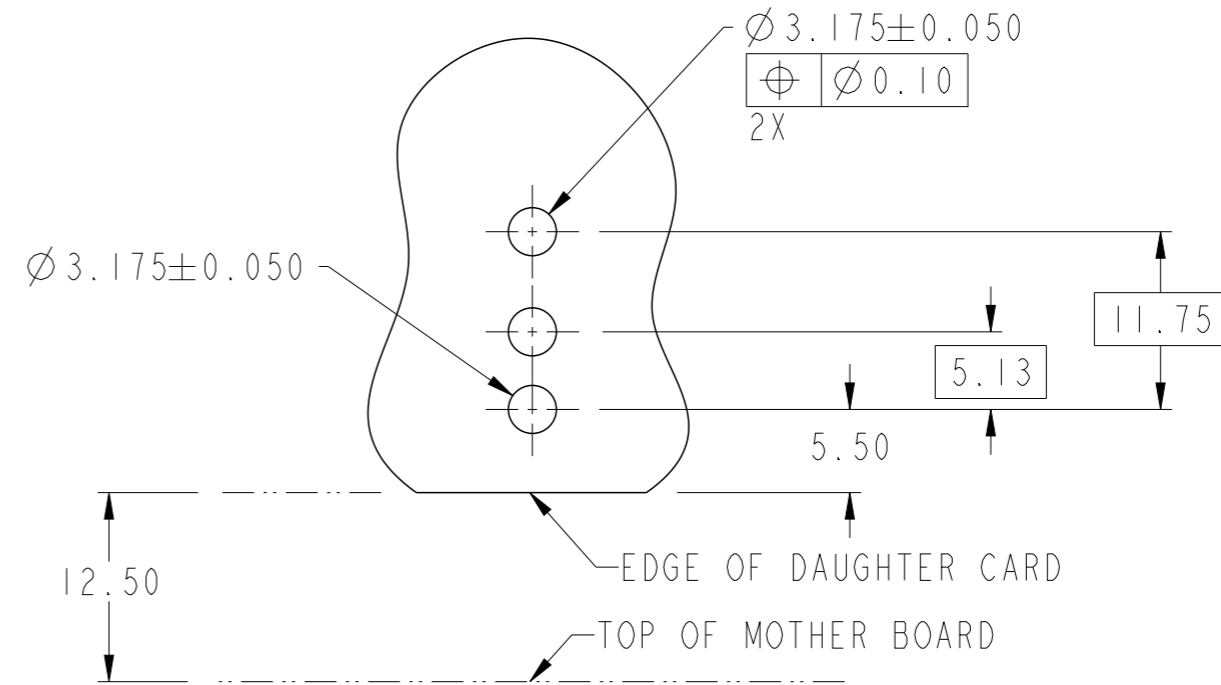
spec ref	-	dr	Chen-Hong Tan	2005/08/18	projection	MM	size	A3	scale	3:1	
tolerance std	ASME Y14.5	eng	Terry Luo	2019/04/24			ecn no	ELX-DG-33324-1			
TOLERANCES UNLESS OTHERWISE SPECIFIED		chr	-	-			product family	AirMax ACCESSORIES			rel level
surface	linear	appr	Heaven Cen	2019/04/25	<b>Amphenol FCI</b>		dwg no	10045367		rev	E
	angular				7.2MM R/A GUIDE SOCKET 2/3 PAIR		cat. no.	-	Product - Customer Drw	sheet 1 of 2	

PRODUCT NUMBER

10045367-101LF

NOTES:

- ① MATERIAL: ZINC ALLOY.
- ② FINISH: TRIVALENT CHROMATE IRIDESCENT
- ③ APPLICATION SPECIFICATION: GS-20-045.
- ④ REFER TO CUSTOMER DRAWING 10035911 FOR INFORMATION REGARDING PCB LAYOUT OF POWER AND GUIDE MODULES RELATIVE TO SIGNAL MODULES.
- 5 THIS PRODUCT MEETS EUROPEAN UNION DIRECTIVES AND OTHER COUNTRY REGULATIONS AS DESCRIBED IN GS-22-008.
- 6 PACKAGING MEETS GS-14-920 LEAD FREE LABELING SPECIFICATION.



RECOMMENDED PCB LAYOUT

NOTE 4  
SCALE: 2:1

Amphenol  
FCi

© 2016 AFCI

spec ref	-			dr	Chen-Hong Tan	2005/08/18	projection	MM	size	A3	scale	1:1
tolerance std	ASME Y14.5			eng	Terry Luo	2019/04/24			ecn no		ELX-DG-33324-1	
TOLERANCES UNLESS OTHERWISE SPECIFIED			chr	-	-	product family			AirMax ACCESSORIES		rel level	
surface		linear	0.X	±0.3		7.2MM R/A GUIDE SOCKET		dwg no	10045367		rev	E
			0.XX	±0.10		2/3 PAIR						
		angular	0°	±2°		cat. no.	-	Product - Customer Drw		sheet 2 of 2		