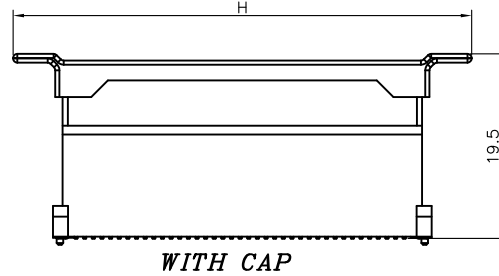
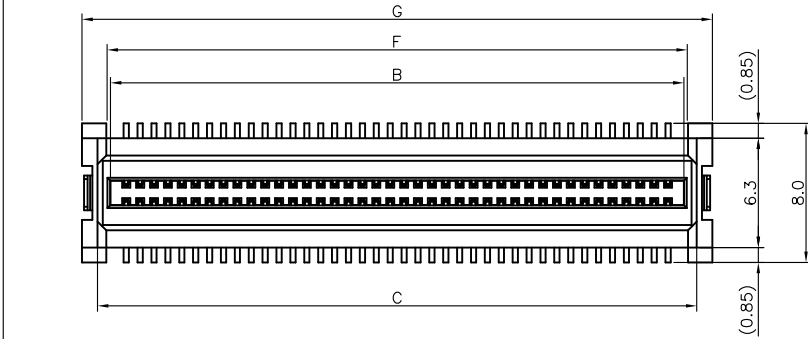
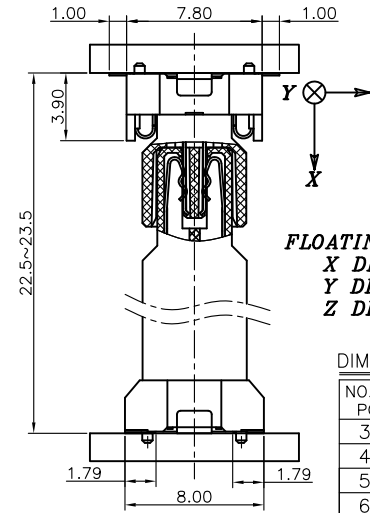
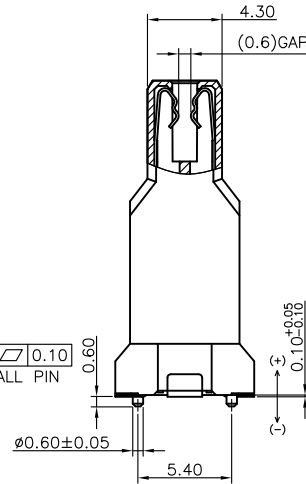
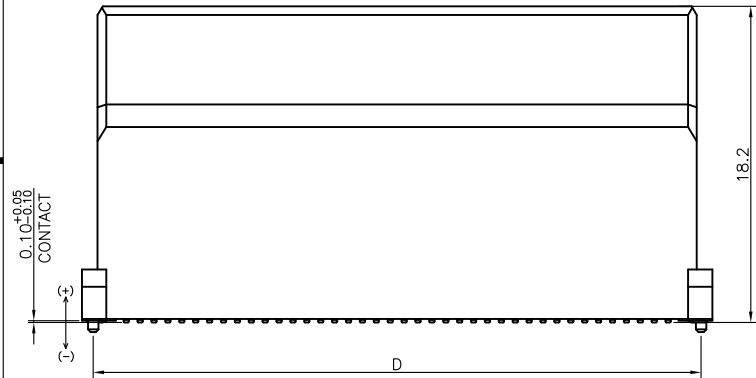
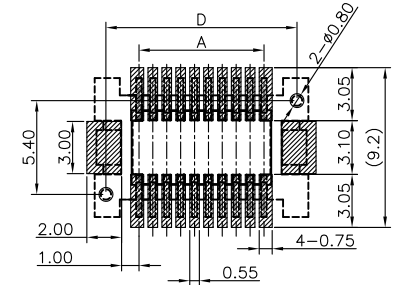


This document is the property of Amphenol Aorora Corporation and is delivered on the express condition that it is not to be disclosed, reproduced or used, in whole or in part, for manufacture or sale by anyone other than Amphenol Aorora Corporation without its prior consent, & that no right is granted to disclose or to use any information in this document.

REV.	ECR/ECN No.	DESCRIPTION	DRAWN/DATE	CHECKED/DATE	APPROVED/DATE
A	/	更新尺寸公差	May 2018-06-27	Rain 2018-06-27	Hongkui.Liu 2018-06-27



NOTE:
1. ALL MATERIAL MUST BE COMPLY WITH SS-00259 OR RoHS.

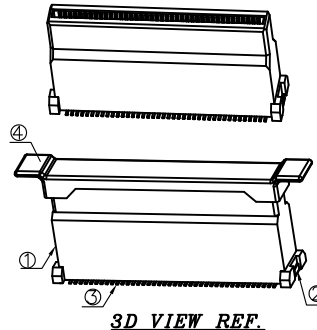
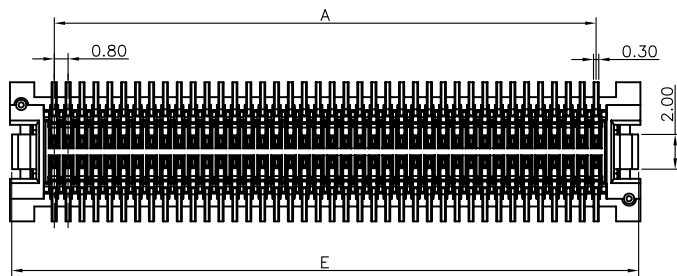


RECOMMENDED PCB SIZE
GENERAL TOLERANCE: ±0.05 (MOUNTING SIDE)

FLOATING RANGE TOWARD
X DIRECTION: ±0.50
Y DIRECTION: ±0.50
Z DIRECTION: ±0.50

DIMENSION LIST:

NO. OF POS.	A	B	C	D	E	F	G	H
30	11.20	13.02	14.50	15.00	16.10	13.40	16.30	24.00
40	15.20	17.02	18.50	19.00	20.10	17.40	20.30	28.00
50	19.20	21.02	22.50	23.00	24.10	21.40	24.30	32.00
60	23.20	25.02	26.50	27.00	28.10	25.40	28.30	36.00
70	27.20	29.02	30.50	31.00	32.10	29.40	32.30	40.00
80	31.20	33.02	34.50	35.00	36.10	33.40	36.30	44.00
90	35.20	37.02	38.50	39.00	40.10	37.40	40.30	48.00
100	39.20	41.02	42.50	43.00	44.10	41.40	44.30	52.00
110	43.20	45.02	46.50	47.00	48.10	45.40	48.30	56.00
120	47.20	49.02	50.50	51.00	52.10	49.40	52.30	60.00



UNLESS OTHERWISE SPECIFIED TOLERANCES		ANGLE OF PROJECTION		 Amphenol Aorora Technology (Huizhou) Co.,Ltd
X.	±0.50	X. °	± 1°	
X.X	±0.30	X.X °	± 0.5°	
X.XX	±0.20	X.XX °	± 0.5°	
X.XXX	±0.10	X.XXX °	± 1°	
LINEAR DIMS		ANGLES DIMS		
P/N: B410-1B7L1-112**-E200		DOC TYP	Customer Drw	
MATERIAL	SEE NOTES	DRAWN DATE	May 2018-06-27	
FINISHED	SEE NOTES	DESIGN DATE	May 2018-06-27	
		CHECKED DATE	Rain 2018-06-27	
		APPROVED DATE	Hongkui.Liu 2018-06-27	
TITLE: Assembly Drawing For 0.8mm Pitch Floating board to to board Plug_H18.2 connector series				
SIZE DWG NO.		REV.		
A4		A		
SCALE 1:1		UNIT : mm		
SHEET 1 OF 1				