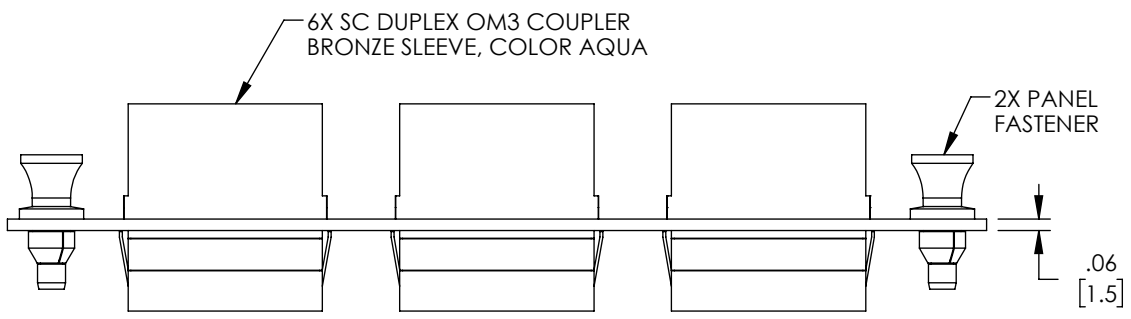
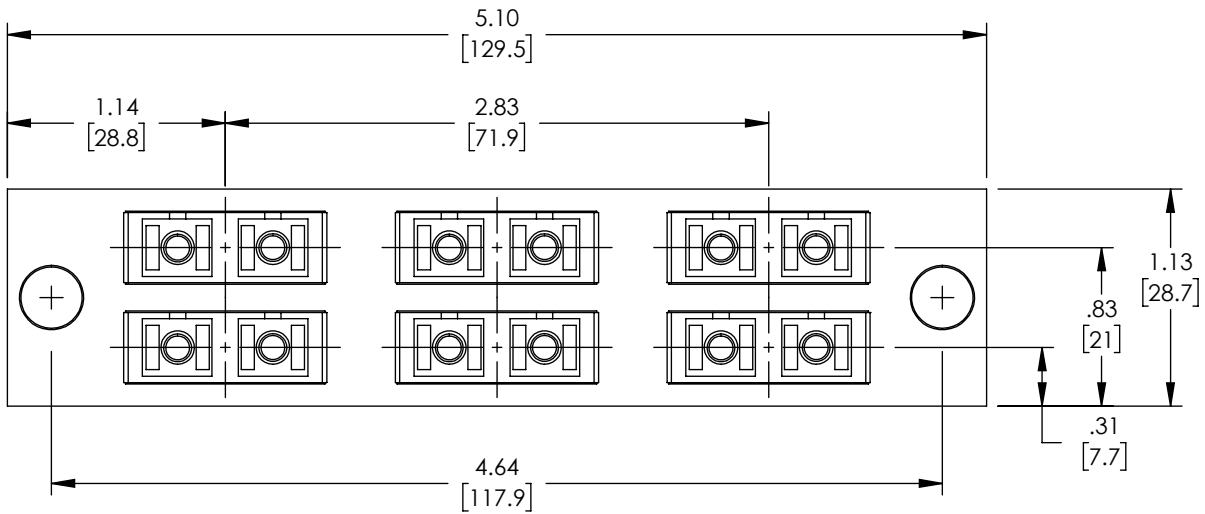

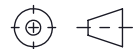


THE INFORMATION CONTAINED IN THIS DRAWING IS THE SOLE PROPERTY OF L-COM, INC. ANY REPRODUCTION IN PART OR WHOLE WITHOUT THE WRITTEN PERMISSION OF L-COM, INC. IS PROHIBITED.

REVISIONS			
REV	DESCRIPTION	DATE	APPROVED
A	INITIAL RELEASE	12/03/2020	PHOSPODAR



- NOTES:
1. FINISH: BLACK POWDER COAT.
 2. RECOMMENDED MOUNTING HOLE FOR MATING FASTENER: $\varnothing.252 \pm .002/.000$.
 3. ASSEMBLY SHALL BE INDIVIDUALLY PACKAGED IN ACCORDANCE WITH L-COM SPECIFICATION PS-0031.
 4. ALL DIMENSIONS FOR REFERENCE ONLY.
 5. COUPLERS SUPPLIED WITH DUST CAPS, NOT SHOWN.

UNLESS OTHERWISE SPECIFIED, DIMENSIONS ARE IN INCHES [mm] OVERALL CABLE LENGTH TOLERANCE: ≤12 [305] = +1 [25] / -0 >12 [305] ≤60 [1524] = +2 [51] / -0 >60 [1524] ≤120 [3048] = +4 [102] / -0 >120 [3048] ≤300 [7620] = +6 [152] / -0 >300 [7620] = +5% / -0 ALL OTHER DIMENSIONAL TOLERANCES: .X = ± .2 [5] FRACTIONS ± 1/32 .XX = ± .02 [.5] ANGLES ± 1° .XXX = ± .005 [1.3]	APPROVALS	DATE	 50 High Street, West Mill, North Andover, MA 01845 USA. Phone: 1.800.341.5266 1.978.682.6936
	DRAWN BY DZINN	12/03/2020	
THIRD-ANGLE PROJECTION 	CHECKED BY DFRISIELLO	12/03/2020	CATEGORY FIBER OPTIC SUB PANELS
	APPROVED BY PHOSPODAR	12/03/2020	
CONFIGURATION DETAILS OF UNDIMENSIONED FEATURES MAY VARY	PRODUCT DESCRIPTION Fiber Sub Panel SC Duplex OM3 Couplers, 6 count, Bronze Sleeve, Aqua Connector, Black		SCALE: NONE CAD FILE: FSP-SCD6-AQU-M3BR.SLDDRW SHEET 1 OF 1
COLOR VARIATIONS MAY OCCUR	SIZE A	CAGE CODE 43321	