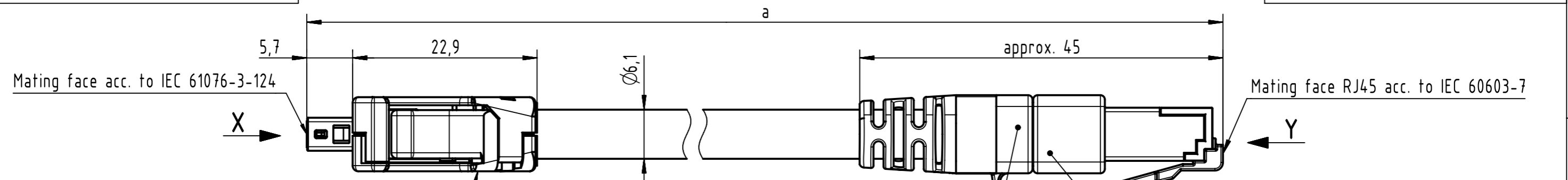
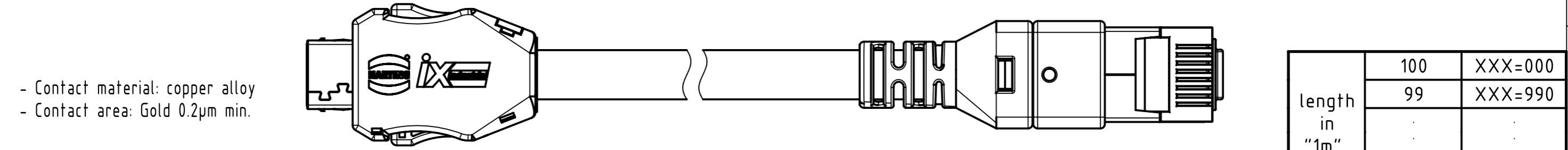


Connector Location A

Connector Location B



Mating face acc. to IEC 61076-3-124  
 HARTING ix Industrial Cat. 6A, 10-pole, type A IDC (IP20)  
 IP20 RJ45 DualBoot, Cat. 6A, 8-pole  
 Black overmolded body  
 Black protection latch with HARTING logo  
 Mating face RJ45 acc. to IEC 60603-7

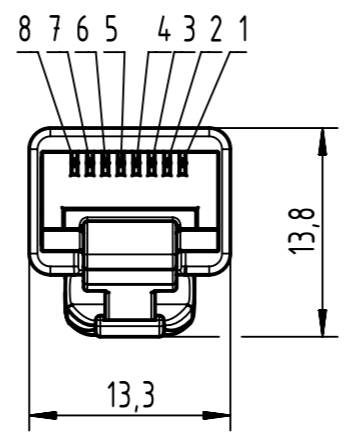
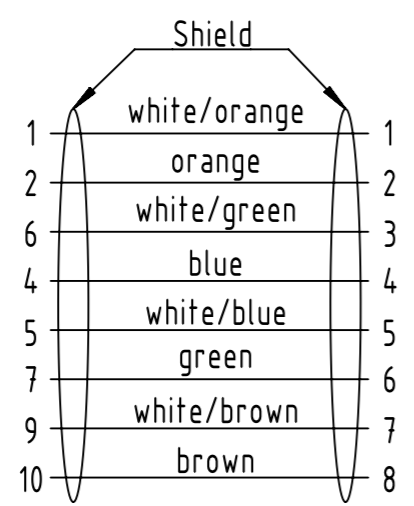
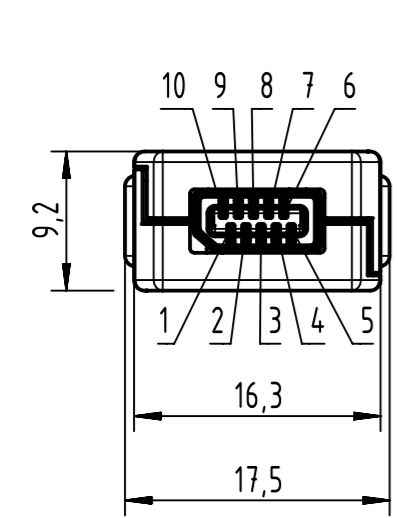


- Contact material: copper alloy  
 - Contact area: Gold 0.2µm min.

X  
male

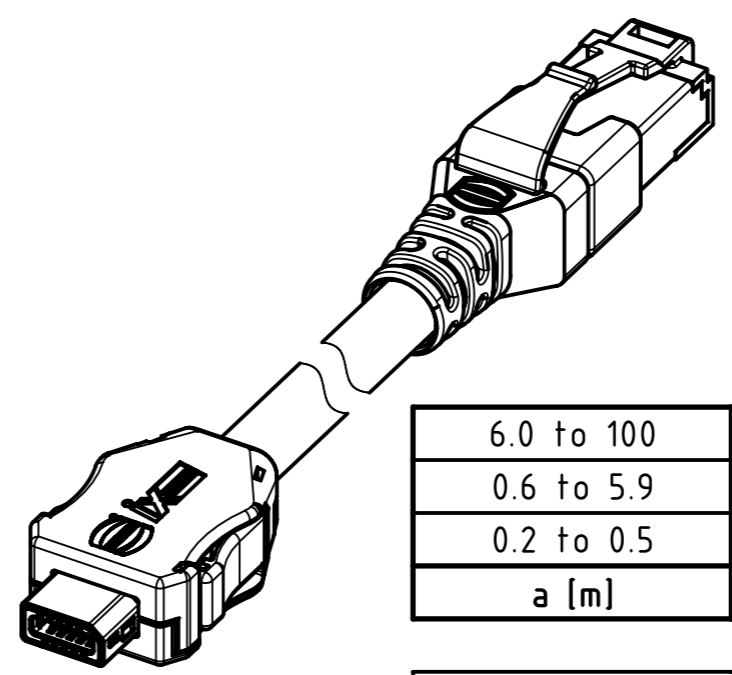
Y  
male

Loading Plan  
acc. to TIA/EIA 568B



Contacts 3 and 8  
are not connected

Temperature range:  
 - Fixed installation: -20°C ... +60°C  
 - Dynamic installation: 0°C ... +50°C



6.0 to 100	±1%
0.6 to 5.9	+0.04
0.2 to 0.5	+0.02
<b>a [m]</b>	<b>Tolerance</b>

length in "1m" step	100	XXX=000
	99	XXX=990
	.	.
	12	XXX=120
length in "0.1m" step	11	XXX=110
	10	XXX=100
	9.9	XXX=099
	9.8	XXX=098
	.	.
	0.5	XXX=005
	0.4	XXX=004
	0.3	XXX=003
	0.2	XXX=002
<b>Step</b>	<b>a [m]</b>	<b>XXX</b>

Cat. 7 FRNC Ethernet Cable, AWG 26/7, S/FTP, green	33480147827XXX
<b>Type of cable</b>	<b>Part no.</b>

NOTE:  
 For lengths < 1.0m:  
 - relative positioning of the connectors to each other will be as presented in the drawing,  
 however with an admissible angular deviation around cable axis of ± 30°  
 For lengths ≥ 1.0m:  
 -relative positioning of the connectors to each other not obligatory

All rights reserved Department HCS - RO HARTING Customised Solutions D-32339 Espelkamp	All Dimensions in mm	Tech. Character.	Free size tol.	According to production drawing	
	Created by BANIUD Banciu	Inspected by COSTEA Costea	Standardisation MUNTEANV Muntean	Date 2020-12-16	State Final Release
Title ix Industrial - RJ45 Cat.6A FRNC green			Doc-Key / ECM-Nr. 10088243/UGD/000/C 500000186325		
Type TB		Number 33480147827XXX		Rev. C	Page 1/1