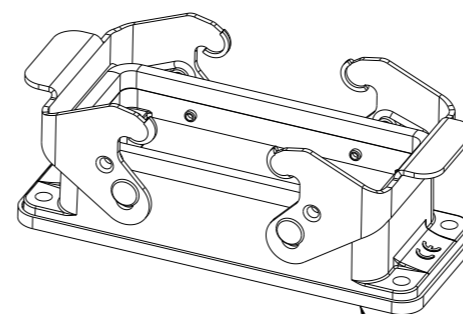
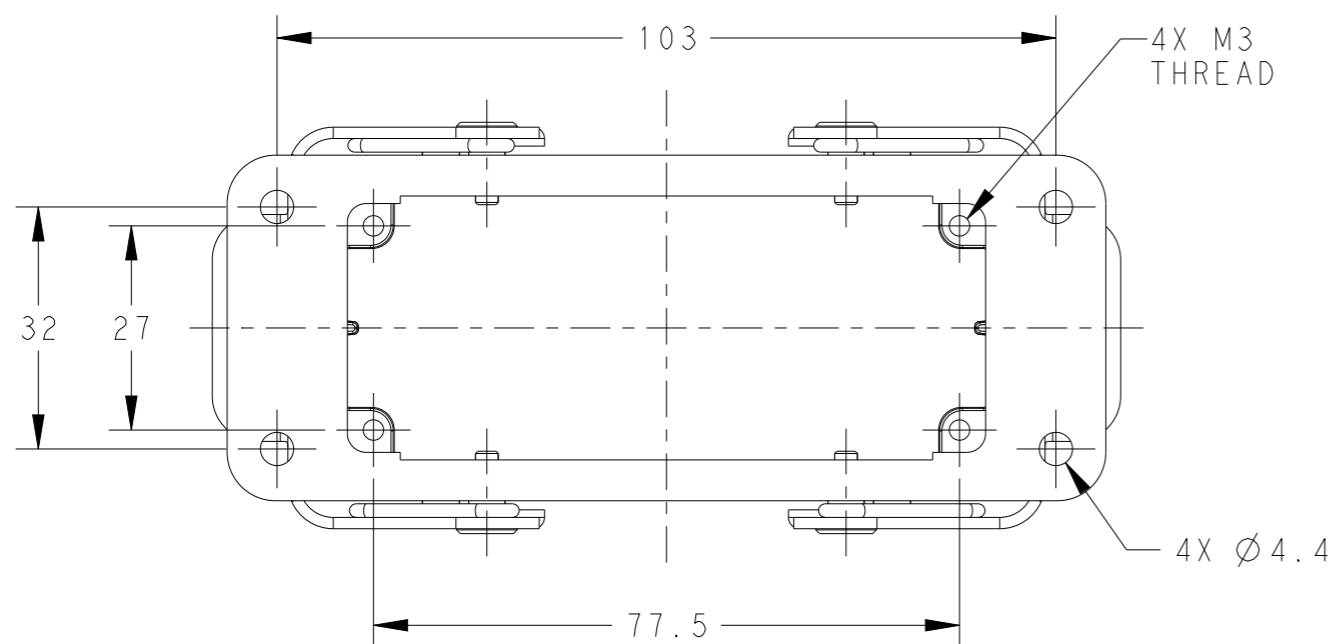
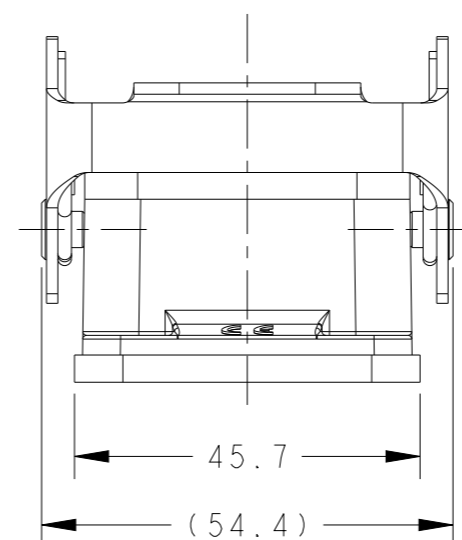
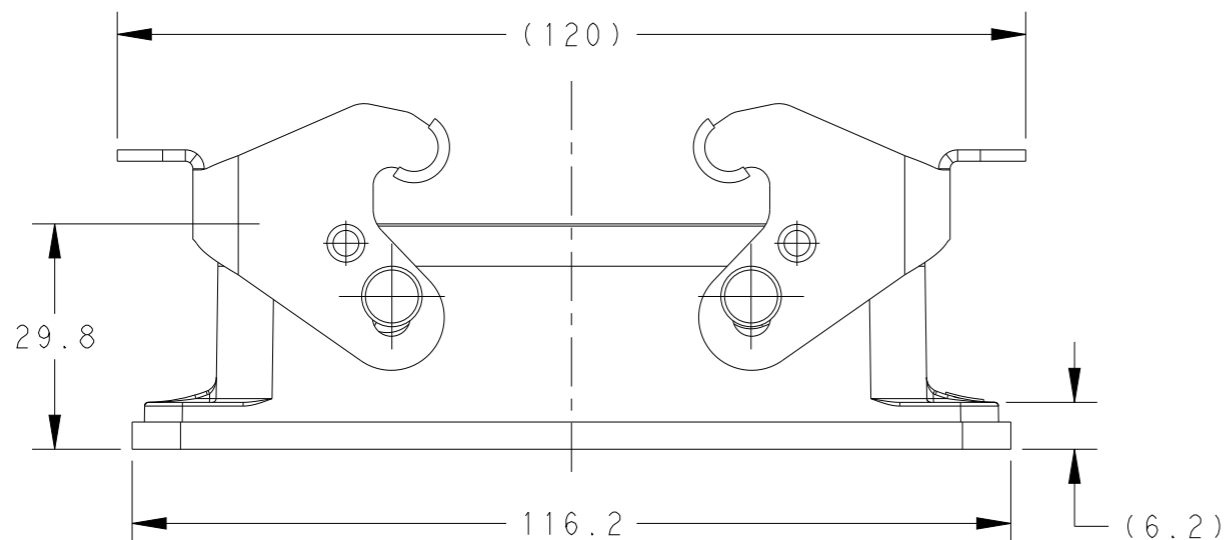


REVISIONS

P	LTR	DESCRIPTION	DATE	DWN	APVD
A		INITIAL	25JUN2015	DW	CW
B		ECR-20-008190	01SEP2020	WQR	CW

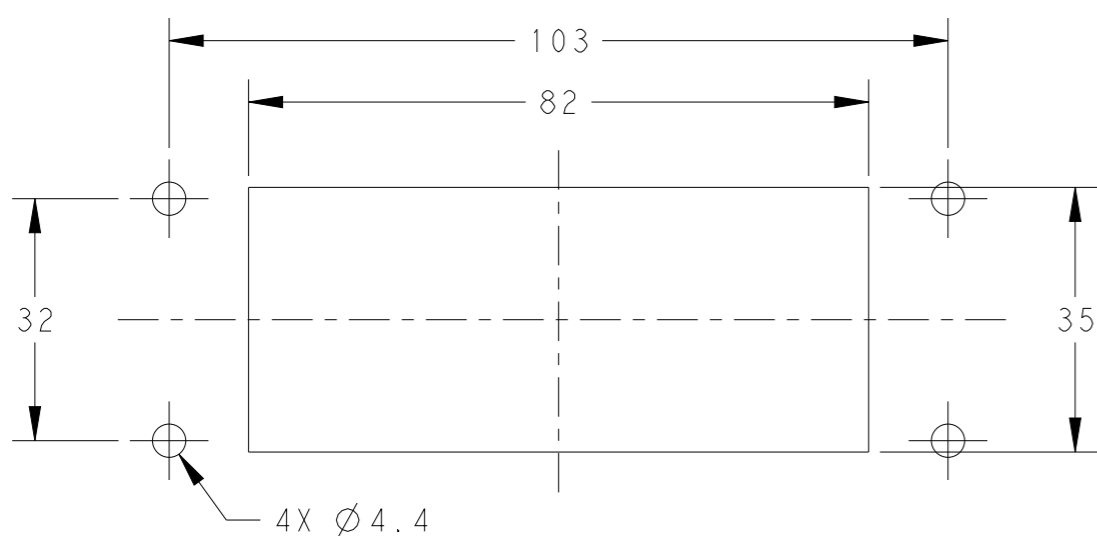
NOTES:
 1. TECHNICAL CHARACTERISTICS:
 HOUSING MATERIAL: DIE CAST ALUMINIUM ALLOY
 SURFACE: POWDER COATED, GREY
 DEGREE OF PROTECTION: IP65 (MATED)

注释:
 1. 技术参数:
 下壳材料: 铝合金
 表面处理: 粉末涂层, 灰色
 防护等级: IP65(配合)




SCALE 1:2
 FLANGE SEALING

PANEL CUT OUT



T1410162000-000	H16B-AG	GREY
T1410162000-100	H16B-AG	GREY FLANGE SEALING FIXED BY GLUE WITH HOUSING
PART NUMBER	DESCRIPTION	HOUSING COLOR

THIS DRAWING IS A CONTROLLED DOCUMENT.		DWN 25JUN2015 David Wang	 TE Connectivity			
DIMENSIONS: mm		CHK 25JUN2015 Chris Wang				
TOLERANCES UNLESS OTHERWISE SPECIFIED:		APVD 25JUN2015 Xiang Xu				
0 PLC ±- 1 PLC ±- 2 PLC ±- 3 PLC ±- 4 PLC ±- ANGLES ±-		NAME H16B-AG				
MATERIAL		PRODUCT SPEC 108-137013	SIZE A3	CAGE CODE 00779	DRAWING NO T1410162000X00	RESTRICTED TO -
-		APPLICATION SPEC 114-137013	SCALE 1:1		SHEET 1 OF 1	REV B
-		FINISH	Customer Drawing			