

THIS DRAWING IS UNPUBLISHED.

RELEASED FOR PUBLICATION

20

© COPYRIGHT 20 BY -

ALL RIGHTS RESERVED.

REVISIONS

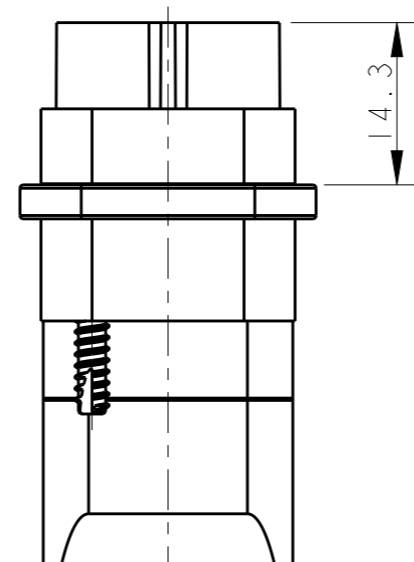
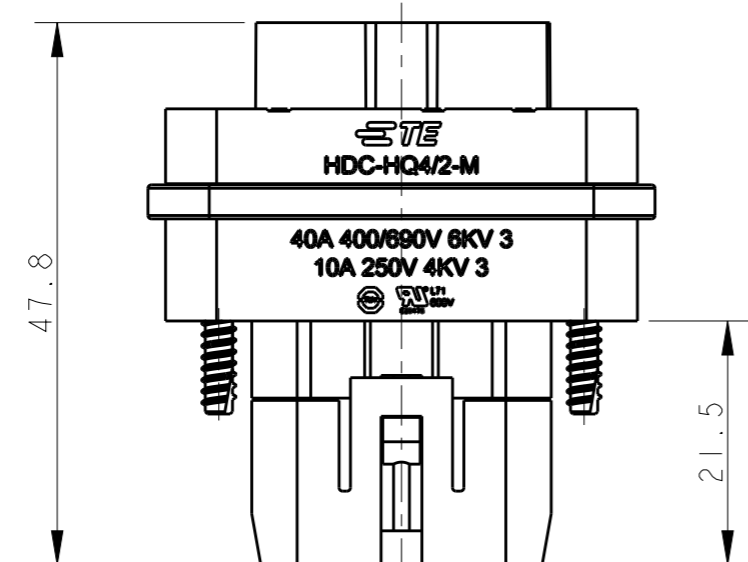
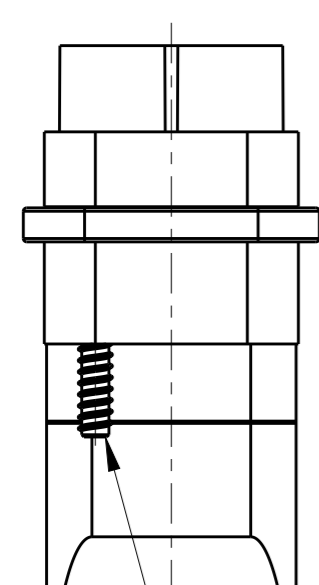
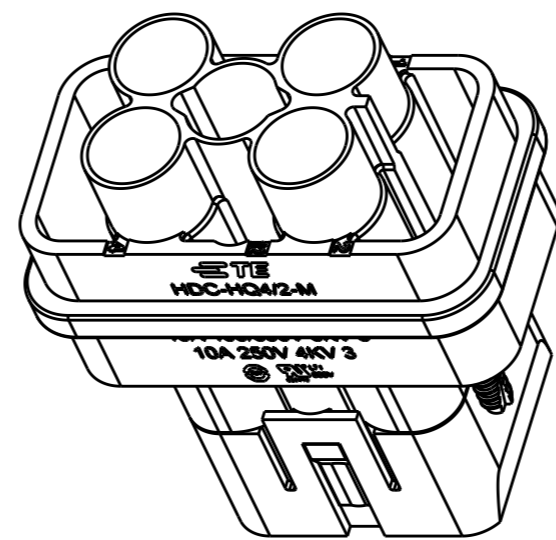
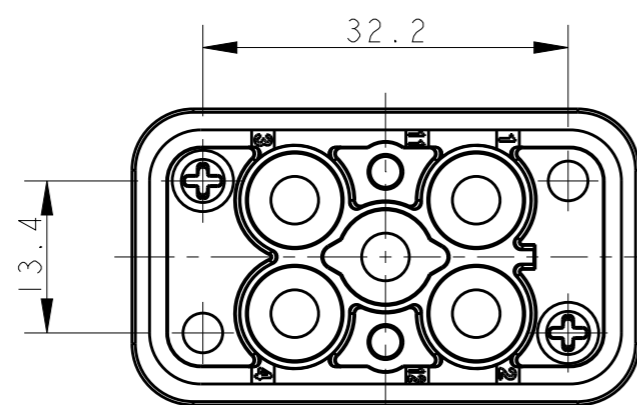
P	LTR	DESCRIPTION	DATE	DWN	APVD
A		INITIAL RELEASE	02APR2015	DL	CW
B		ECR-15-014706	09OCT2015	DL	CW
B1		ECR-16-000007	08JAN2016	YC	CW
B2		ECR-19-011053	15JUL2019	AL	CW

NOTES:

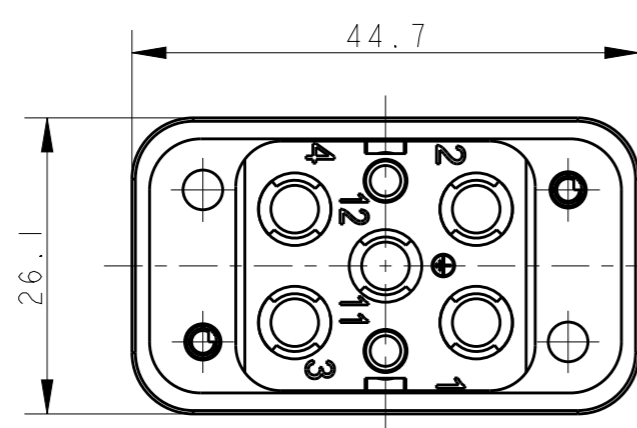
- TECHNICAL CHARACTERISTICS:  
 INSULATION MATERIAL: PC  
 FOR POWER SIDE:  
 RATED VOLTAGE: CONDUCTOR-GROUND: 400V  
 CONDUCTOR-CONDUCTOR: 690 V  
 RATED CURRENT: 40 A  
 RATED IMPULSE VOLTAGE: 6 KV  
 POLLUTION DEGREE: 3  
 FOR SIGNAL SIDE:  
 RATED VOLTAGE: 250 V  
 RATED CURRENT: 10 A  
 RATED IMPULSE VOLTAGE: 4 KV  
 POLLUTION DEGREE: 3  
 INSULATION RESISTANCE: >=400MΩ  
 FLAMMABILITY: UL94V-0  
 MATING CYCLES: 500 CYCLES  
 WIRE RANGE: POWER PIN: 1-6 mm<sup>2</sup> (18-10 AWG)  
 SIGNAL PIN: 0.14-2.5 mm<sup>2</sup> (26-14 AWG)  
 CONTACT TYPE: CRIMP CONTACT
- CONTACT NEED TO BE ORDERED SEPARATELY.  
 (ORDER No. REFER TO DRAWING: POWER PIN - T20400X10XX000;  
 SIGNAL PIN - T20200X10XX000; GROUNDING PIN - T2042001XXX000)

注释:

- 技术参数:  
 绝缘材料: PC  
 电源侧  
 额定电压: 导体-地: 400V; 导体-导体: 690V  
 额定电流: 40A  
 额定脉冲电压: 6 KV  
 污染等级: 3  
 信号侧  
 额定电压: 250V  
 额定电流: 10A  
 额定脉冲电压: 4 KV  
 污染等级: 3  
 绝缘电阻: >=400MΩ  
 阻燃等级: UL94V-0  
 插拔次数: 500次  
 接线范围: 电源PIN: 1-6 mm<sup>2</sup> (18-10 AWG)  
 信号PIN: 0.14-2.5 mm<sup>2</sup> (26-14 AWG)  
 接线类型: 冷压接
- 端子需要单独订购。  
 (订货号参考图面: 电源PIN - T20400X10XX000; 信号PIN - T20200X10XX000;  
 接地PIN - T2042001XXX000)




2X ST2.9X10



T2080062101-100	HQ-4/2-M	HQ-4/2 MALE INSERT HQ4/2公插
PART NUMBER 料号	PART DESCRIPTION 描述	

THIS DRAWING IS A CONTROLLED DOCUMENT.	
DIMENSIONS: mm	TOLERANCES UNLESS OTHERWISE SPECIFIED: 0 PLC ±- 1 PLC ±- 2 PLC ±- 3 PLC ±- 4 PLC ±- ANGLES ±-
MATERIAL	FINISH

DWN DAVID LI 31MAR2015	 TE Connectivity
CHK CHRIS WANG 31MAR2015	
APVD XU XIANG 31MAR2015	
PRODUCT SPEC 108-137117	
APPLICATION SPEC 114-137117	NAME HQ-4/2-M
WEIGHT	SIZE A3
CUSTOMER DRAWING	CAGE CODE -
	DRAWING NO T2080062101100
	RESTRICTED TO
	SCALE 3:2
	SHEET 1 OF 1
	REV B2