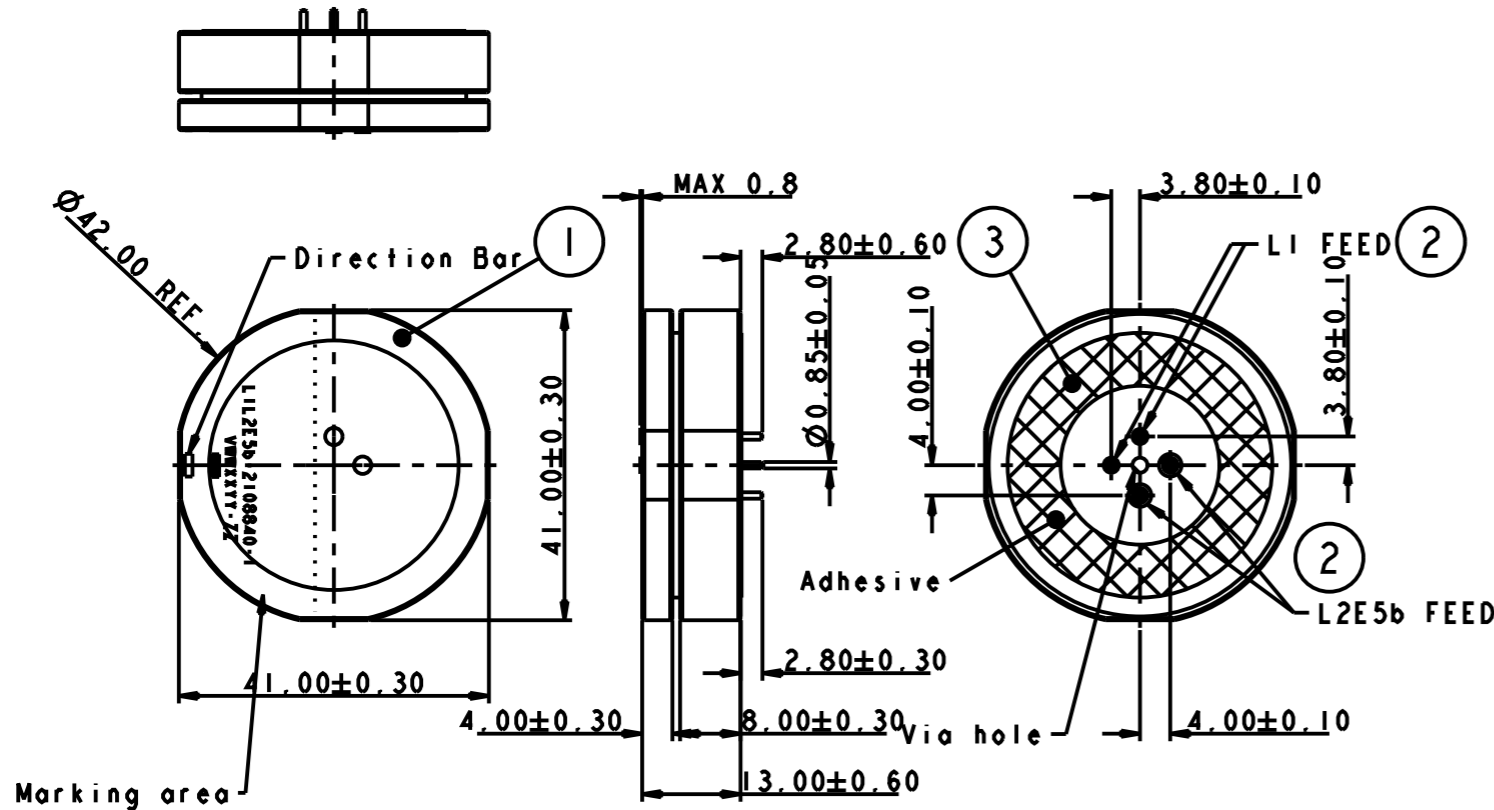


P	LTR	DESCRIPTION	DATE	DWN	APVD
A		PRODUCTION RELEASED	10MAY2021	DW	JH

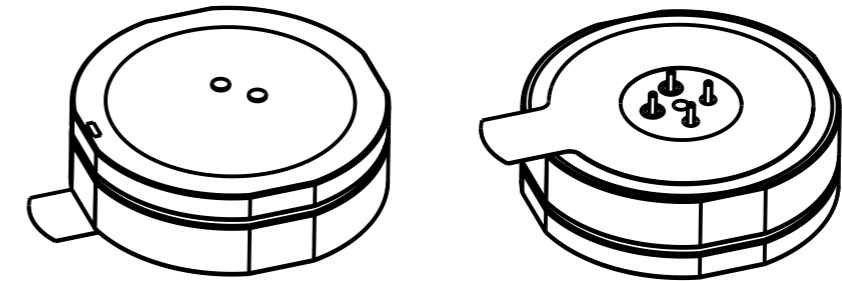


NOTES

1. MATERIAL : REFER TO TABLE
2. CONSULT TE CONNECTIVITY DATA SHEET DS2108840.
3. PACKAGING : TRAY
4. MARKING INCLUDES:
 - PART NUMBER IDENTIFICATION
 - 10 DIGITS DATE CODE:
 - V : LINE SECTION, W : YEAR, XX : MONTH, YY : DAY, ZZ : SERIAL No. OF DAILY

TABLE .

ITEMS	MATERIAL	SPECIFICATION
① DIELECTRIC	CERAMIC	L1 FOR Dk : 9.50±0.50 L2&E5b FOR Dk : 20.50±0.50
② FEED	ELECTRODE : SILVER PROBE : BRASS	-
③ DOUBLE SIDED ADHESIVE TAPE	3M 468MP	THICKNESS : 0.125mm



AS SHOWN : 2108840-1
(Include Release paper)

THIS DRAWING IS A CONTROLLED DOCUMENT.		DWN DW.PARK 17FEB2021		TE Connectivity
DIMENSIONS: mm		CHK H.SHIN 17FEB2021		
TOLERANCES UNLESS OTHERWISE SPECIFIED:		APVD JH.KIM 17FEB2021		
0 PLC ±- 1 PLC ±- 2 PLC ±- 3 PLC ±- 4 PLC ±- ANGLES ±-		PRODUCT SPEC -		
MATERIAL SEE NOTE1	FINISH -	APPLICATION SPEC -	NAME Ceramic ant., SMD, L1+G1 AND L2+E5	
CUSTOMER DRAWING		WEIGHT -	SIZE A3	CAGE CODE 00779
			DRAWING NO C=2108840	RESTRICTED TO -
			SCALE 1:1	SHEET 1 OF 1
				REV A