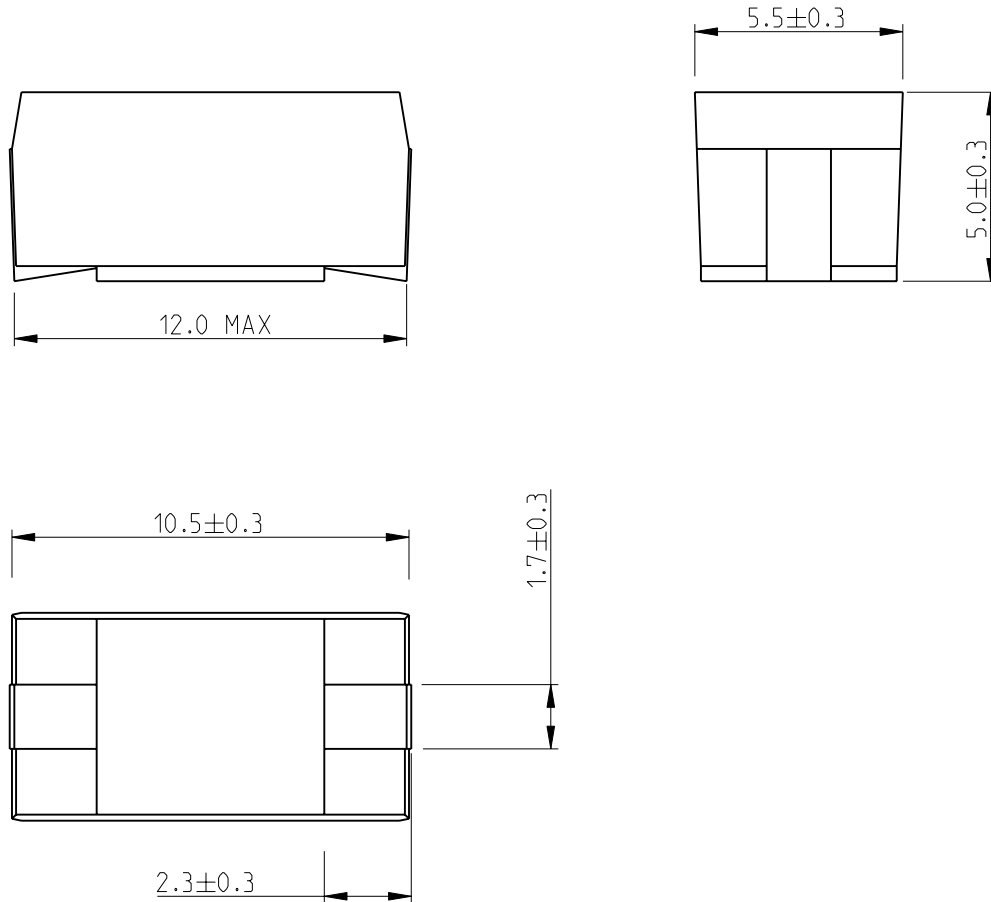
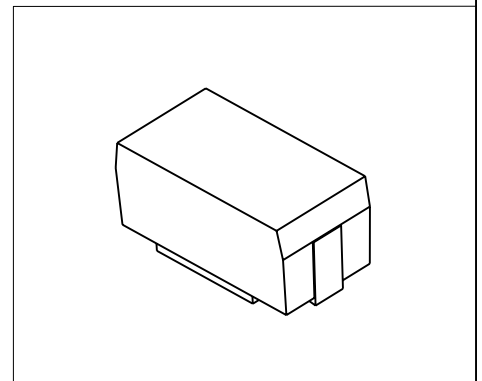
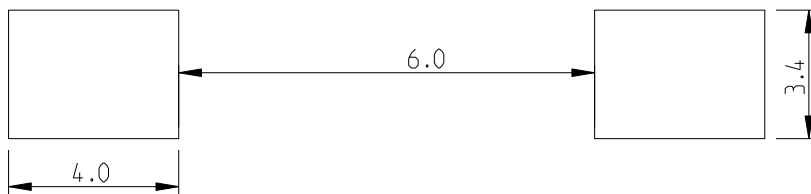


LOC	DIST	REVISIONS					
E	B	P	LTR	DESCRIPTION	DATE	DWN	APVD
		BA		INITIAL RELEASE	17APR2012	KR	St.P

FOR FURTHER INFORMATION SEE DATA SHEET FOR SERIES SM - SMD MOULDED POWER RESISTOR



RECOMMENDED LAND PATTERN



2008

RELEASED FOR PUBLICATION

ALL RIGHTS RESERVED.

Tyco Electronics AMP GmbH

© COPYRIGHT 2008

THIS DRAWING IS UNPUBLISHED.

DIMENSIONS:		DWN	17APR2012	MATERIAL	FINISH		
mm		RAGHAVENDRA K		-	-		
TOLERANCES UNLESS OTHERWISE SPECIFIED:		CHK	17APR2012	TE Connectivity			
0 PLC ±0.2		ALLAN.P					
1 PLC ±0.1		APVD	17APR2012	NAME SMD MOULDED POWER RESISTOR SERIES SM_3			
2 PLC ±		STEPHEN.P					
3 PLC ±		PRODUCT SPEC		SIZE	CAGE CODE	DRAWING NO	RESTRICTED TO
4 PLC ±		APPLICATION SPEC		A 4	00779	©-1879021	-
ANGLES ±5°		WEIGHT					
		CUSTOMER DRAWING		SCALE	5:1	SHEET	1 OF 1
						REV BA	