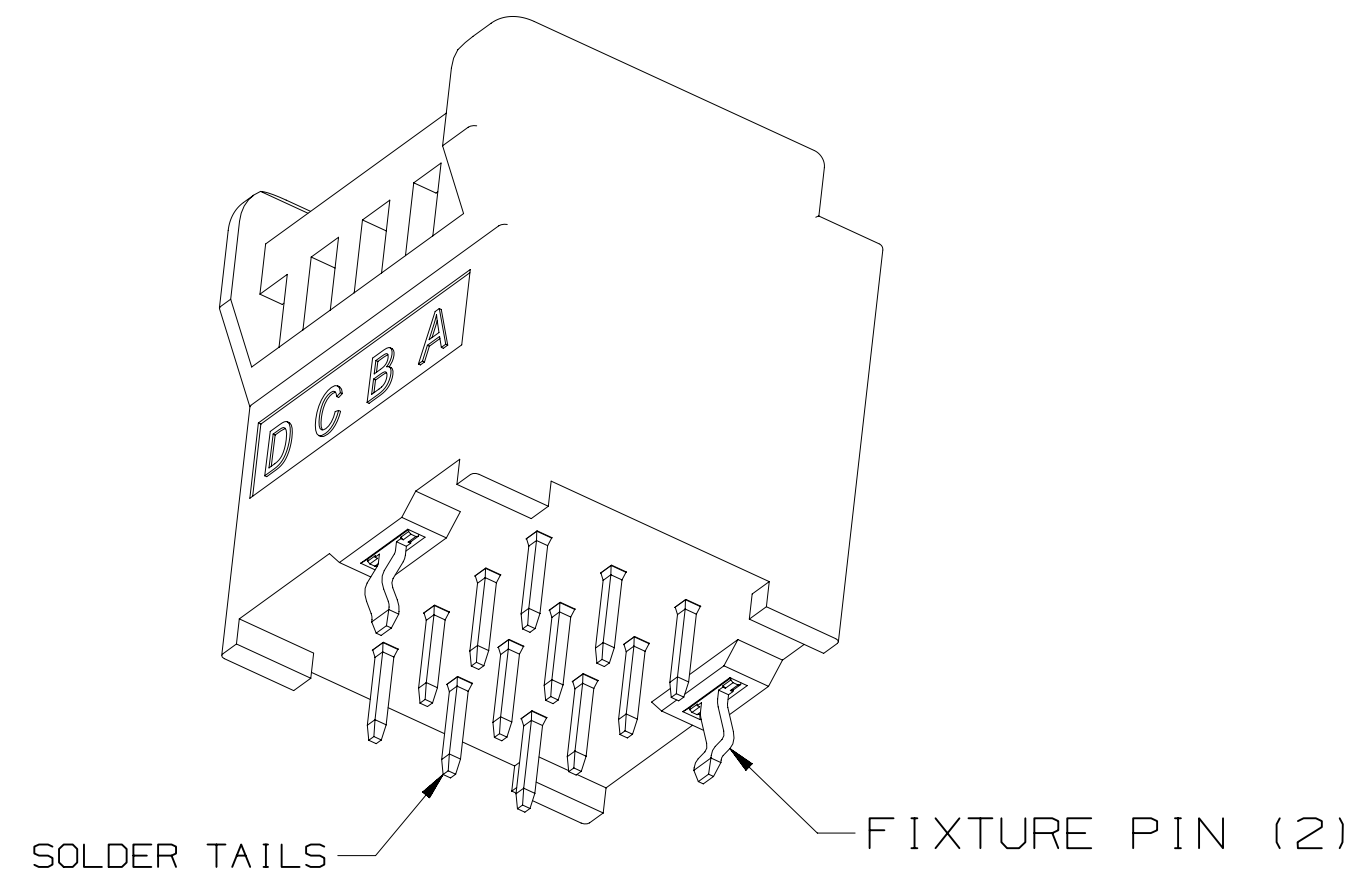
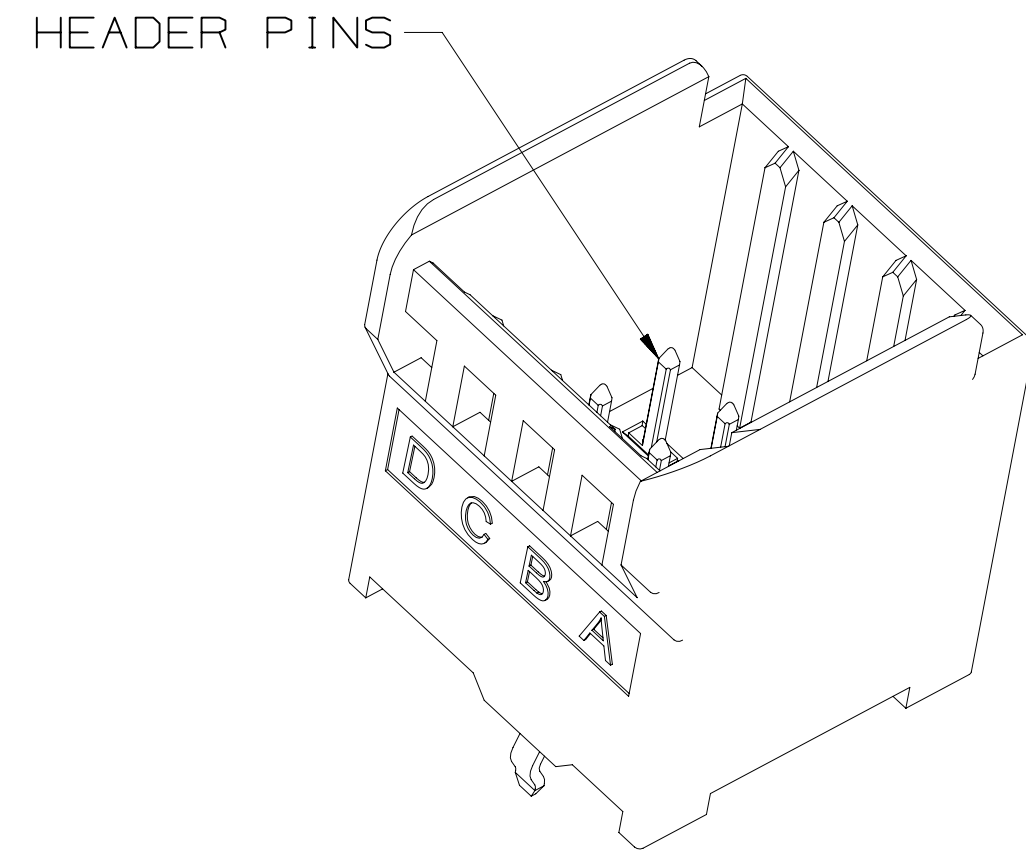


3M™ MINI STACK CONNECTOR, BOARDMOUNT HEADER

- NOTES
- 1 REGULATORY INFORMATION:
VISIT 3M.com/regs
 - 2 IN THE EVENT OF CONFLICT BETWEEN THIS DATA AND THAT CONTAINED IN THE PRODUCT SPECIFICATION, THE PRODUCT SPECIFICATION TAKES PRECEDENT.
 - 3 REFERENCE PRODUCT SPECIFICATION PS-0363
 - 4 SEE TECH SHEET TS-2725 FOR MATING SOCKETS.

12 POSITION HEADER
3S612-62S3-B00 PP

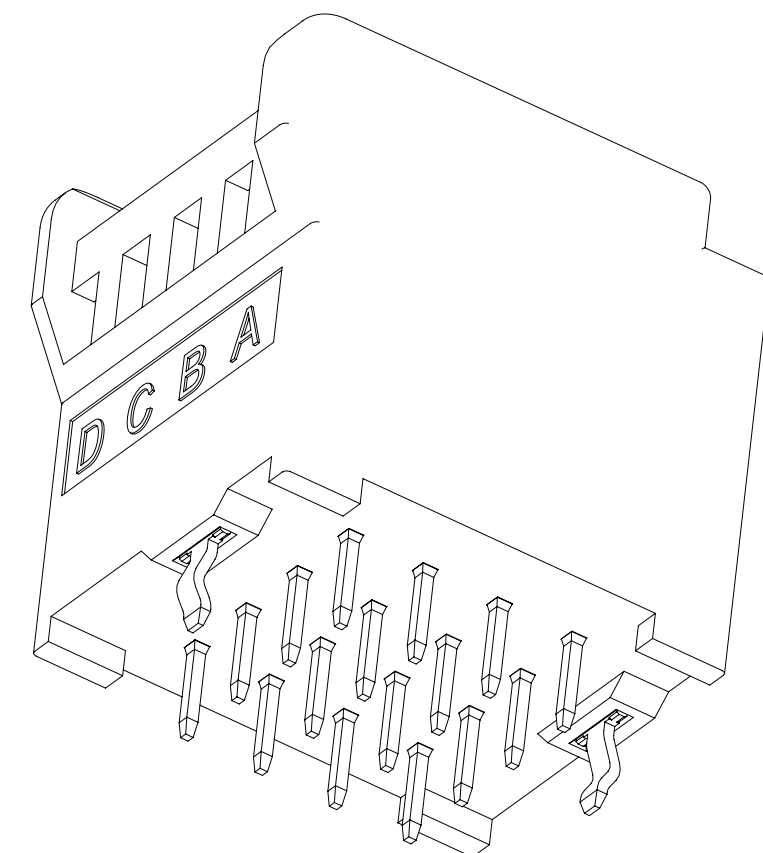
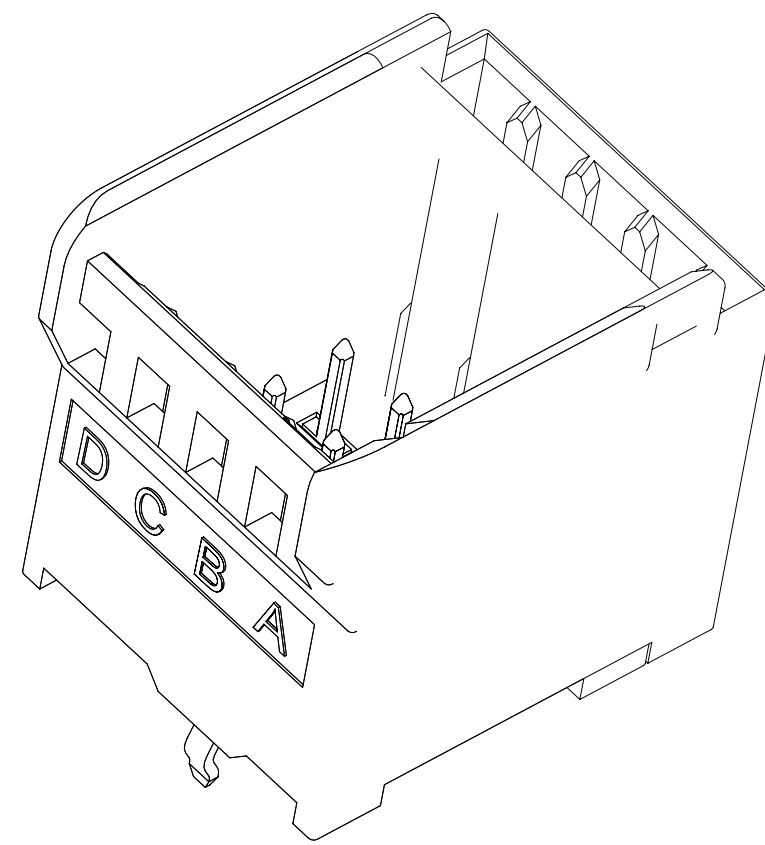


- 2 PHYSICAL :
- INSULATOR:
 - MATERIAL: PBT RESIN
 - FLAMMABILITY: UL94V-0
 - COLOR: BLACK
 - CONTACT:
 - MATERIAL: COPPER ALLOY
 - PLATING:
 - UNDER PLATING: NICKEL OVERALL
 - WIPING AREA: GOLD
 - SOLDER TAILS: TIN
 - FIXTURE PINS:
 - MATERIAL: COPPER ALLOY
 - PLATING: TIN PLATING OVER NICKEL PLATING
 - MARKINGS:

- 2 ELECTRICAL :
- VOLTAGE: AC/DC: 32V MAX.
 - CURRENT: 2.0A MAX.

- 2 ENVIRONMENTAL :
- TEMPERATURE: -20° C TO 85° C

16 POSITION HEADER
3S616-62S4-B00 PP



PCB ACCOMMODATION		
PCB THICKNESS:	1.0 TO 1.6 mm (39 TO 63 mil)	SEE RECOMMENDED HOLE PATTERN

ORDERING INFORMATION

3S6XX-62SX-B00 PP

- CONTACT QUANTITY:
- 12 = 12 POSITIONS
- 16 = 16 POSITIONS
- 3 = 3 POSITION WIREMOUNT CONNECTOR
- 4 = 4 POSITION WIREMOUNT CONNECTOR

3M ELECTRONICS MATERIALS SOLUTIONS DIVISION
INTERCONNECT SOLUTIONS
<http://www.3M.com/interconnect>

3M IS A TRADEMARK OF 3M COMPANY.
FOR TECHNICAL, SALES OR ORDERING
INFORMATION CALL 800-225-5373

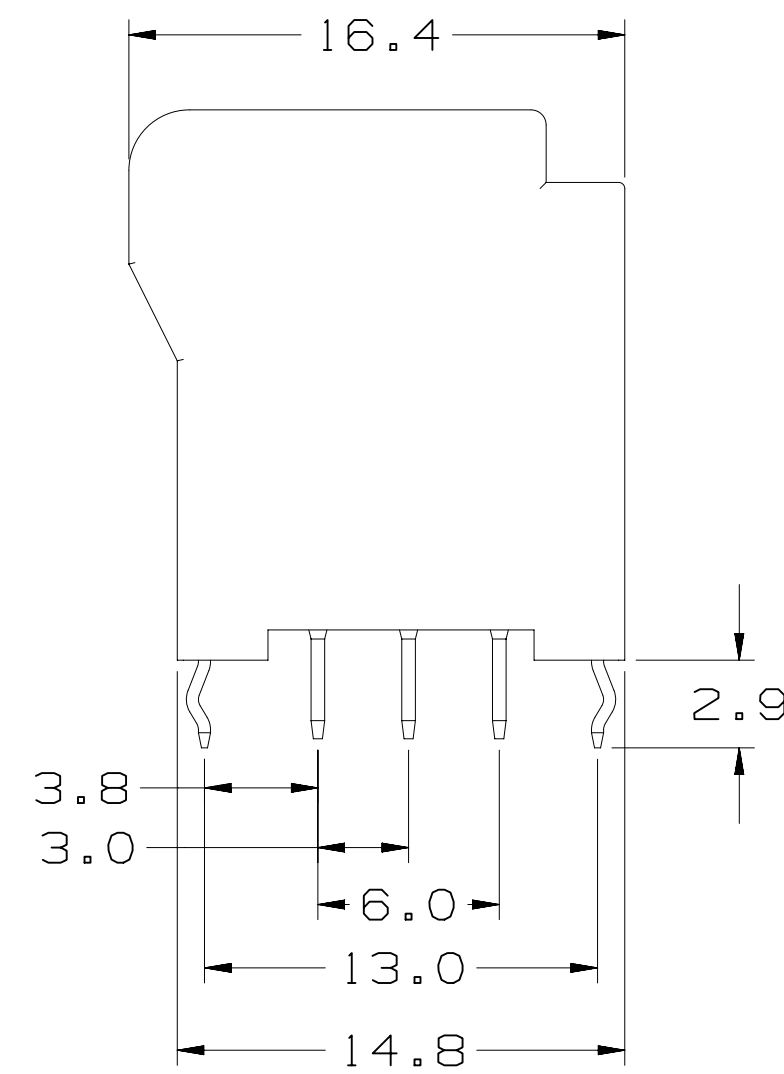
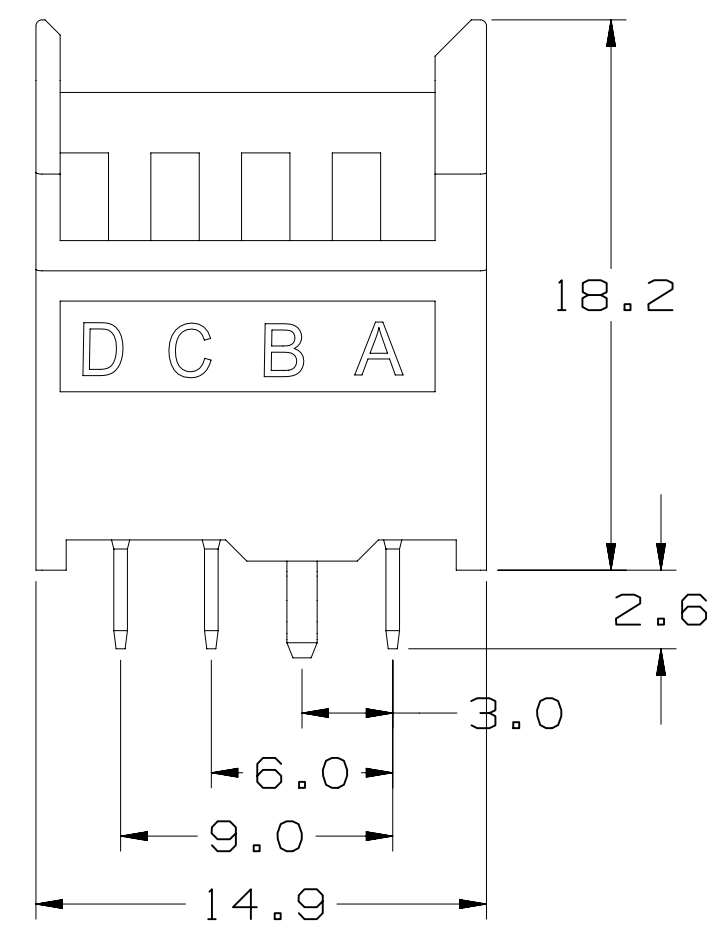
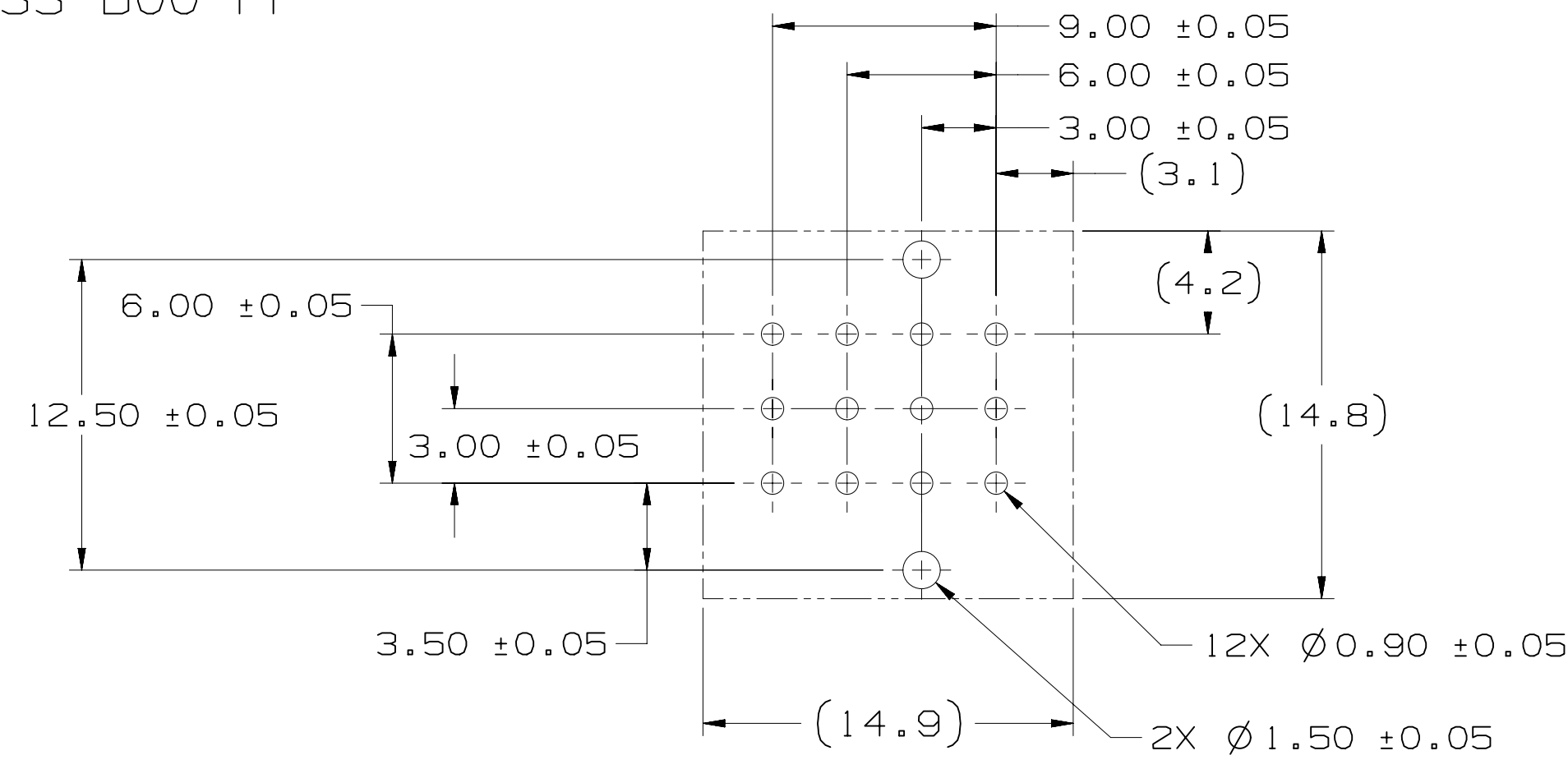
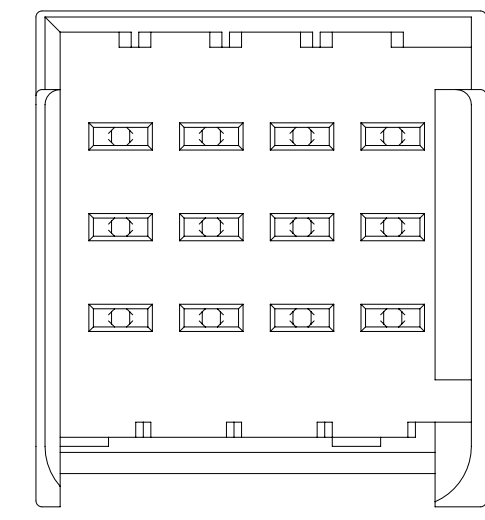
DESIGN REFERENCE	NEXT ASSEMBLY	REV	ECO	ISSUE DATE AND DESCRIPTION	DRFT	CHKD
		A		FEB 05, 2021 INITIAL RELEASE	LDS	FJR
APPROVED	DATE	DATE	DATE	DATE	DATE	DATE
L. SCHMIDT	FEB 02, 2021	FEB 02, 2021				
CHKD	DATE	APPRV	DATE	DATE	DATE	DATE
		F. RODRIGUEZ	FEB 05, 2021			
DIVISION		DIVISION CODE				
DO NOT SCALE DRAWING		SCALE 1/1		TOLERANCES EXCEPT AS NOTED		
THIRD ANGLE PROJECTION		INCHES		MILLIMETERS		
INTERPRET PER ASME Y14.5 - 2018		0 ± .2		.00 ± .005		
MAX SURFACE ROUGHNESS		.00 ± .013		.000 ± .005		
125		ALL SURFACES		MARKED ONLY		
		ANGLES ± 1°				
CAGE NUMBER		DRAWING NO.		REV.		
D		78-5100-2726-7		A		
MODEL		DET		SHT 1 OF 2		
		YES		NO		

78-5100-2726-7
DRAWING NUMBER
Revision
Time 2/5/2021 10:45:00 AM
UTC Offset (hrs) 6
Standard
Central
Image

3M™ MINI STACK CONNECTOR, BOARDMOUNT HEADER

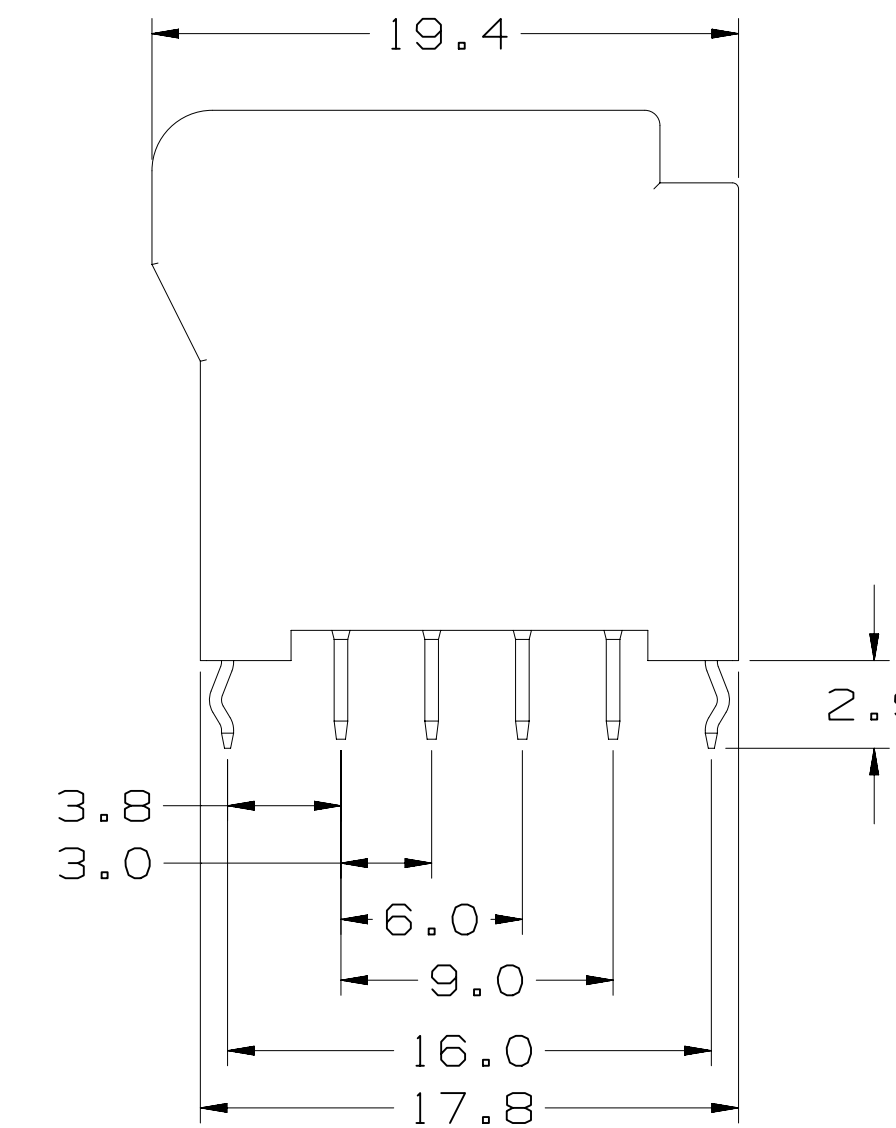
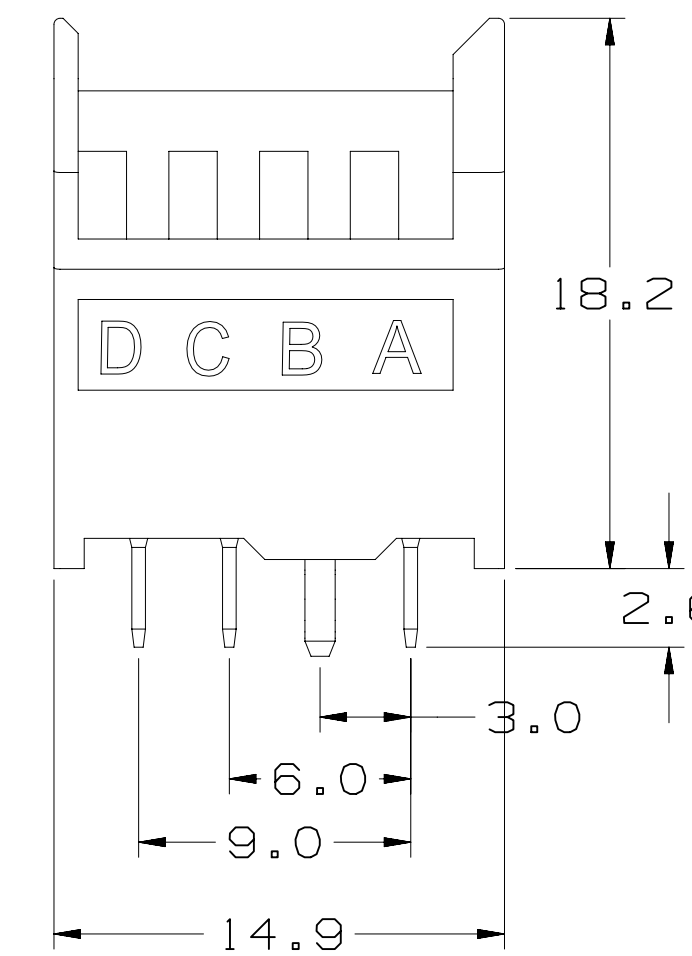
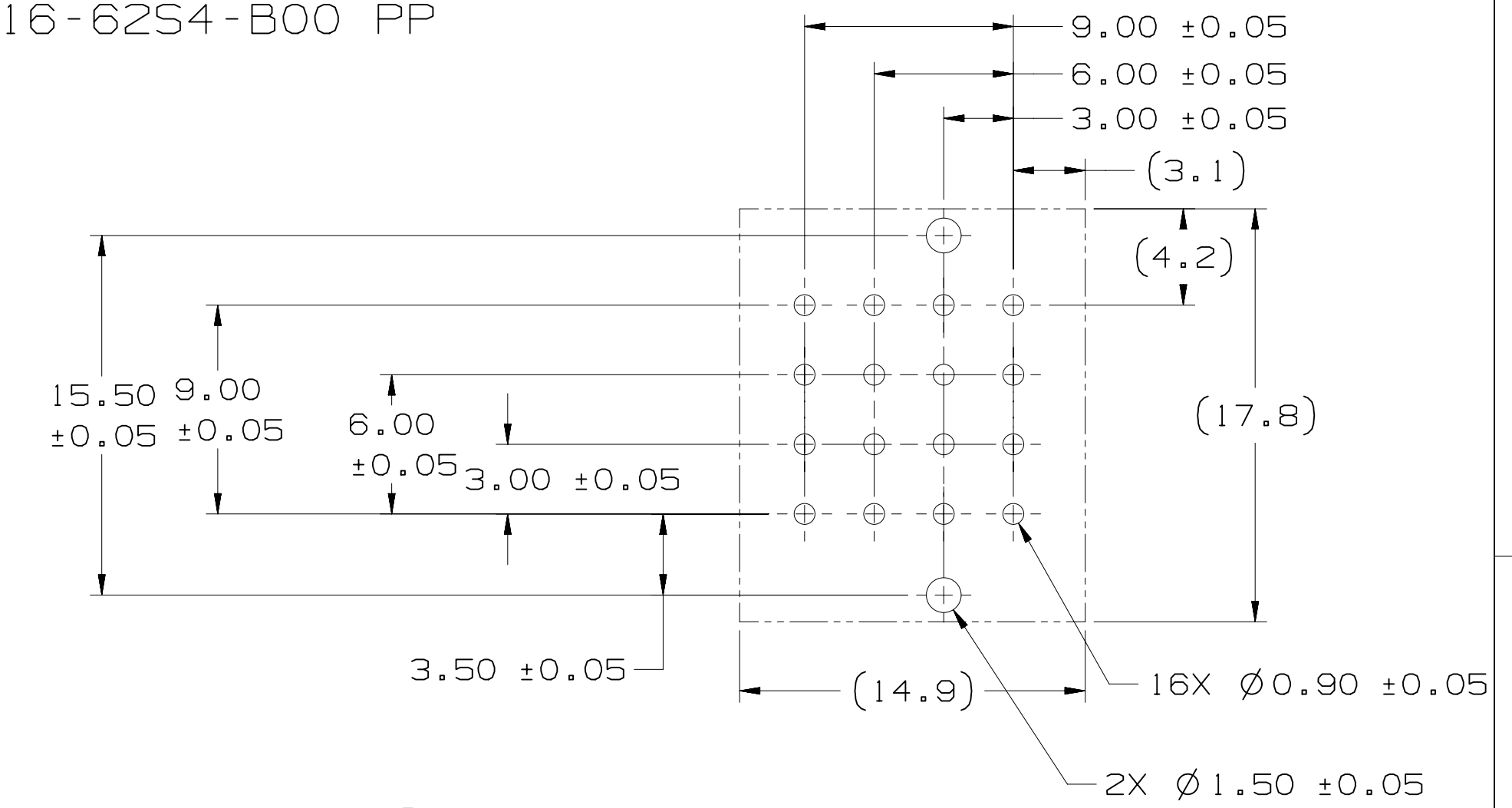
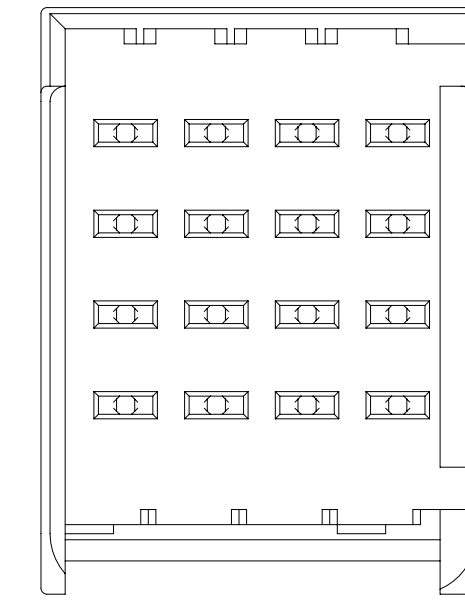
12 POSITION
3S612-62S3-B00 PP

RECOMMENDED HOLE PATTERN



16 POSITION
3S616-62S4-B00 PP

RECOMMENDED HOLE PATTERN



Regulatory: For regulatory information about this product, visit 3M.com/regs or contact your 3M representative.

Technical Information: The technical information, recommendations and other statements contained in this document are based upon tests or experience that 3M believes are reliable, but the accuracy or completeness of such information is not guaranteed.

Product Use: Many factors beyond 3M's control and uniquely within user's control can affect the use and performance of a 3M product in a particular application. Given the variety of factors that can affect the use and performance of a 3M product, user is solely responsible for evaluating the 3M product and determining whether it is fit for a particular purpose and suitable for user's method of application.

Warranty, Limited Remedy, and Disclaimer: Unless an additional warranty is specifically stated on the applicable 3M product packaging or product literature, 3M warrants that each 3M product meets the applicable 3M product specification at the time 3M ships the product. 3M MAKES NO OTHER WARRANTIES OR CONDITIONS, EXPRESS OR IMPLIED, INCLUDING, BUT NOT LIMITED TO, ANY IMPLIED WARRANTY OR CONDITION OF MERCHANTABILITY OR FITNESS FOR A PARTICULAR PURPOSE OR ANY IMPLIED WARRANTY OR CONDITION ARISING OUT OF A COURSE OF DEALING, CUSTOM OR USAGE OR TRADE. If the 3M product does not conform to this warranty, then the sole and exclusive remedy is, at 3M's option, replacement of the 3M product or refund of the purchase price.

Limitation of Liability: Except where prohibited by law, 3M will not be liable for any loss or damage arising from the 3M product, whether direct, indirect, special, incidental or consequential, regardless of the legal theory asserted, including warranty, contract, negligence or strict liability.

3M Company
Electronics Materials Solutions Division
13011 McCallen Pass, Bldg. C
Austin, TX 78753-5380
1-800-225-5373
www.3M.com/interconnect

DESIGN REFERENCE	NEXT ASSEMBLY	REV	ECO	ISSUE DATE AND DESCRIPTION	DRFT	CHKD
				FEB 05, 2021 INITIAL RELEASE	LDS	FJR
APPROVED	DATE	DATE	DATE	DATE	DATE	DATE
L. SCHMIDT	FEB 02, 2021	FEB 02, 2021	FEB 02, 2021	FEB 05, 2021	FEB 05, 2021	FEB 05, 2021
CHKD	DATE	DATE	DATE	DATE	DATE	DATE
				F. RODRIGUEZ	FEB 05, 2021	FEB 05, 2021
DIVISION	DIVISION CODE					
DO NOT SCALE DRAWING	SCALE 1/1	TOLERANCES EXCEPT AS NOTED INCHES .00 ± .00 .000 ± .000 .0000 ± .0000				
THIRD ANGLE PROJECTION	INTERPRET PER ASME Y14.5 - 2018	MILLIMETERS 0 ± 2 .0 ± .5 .00 ± 0.13 .000 ± .005 ANGLES ± 1°				
MAX SURFACE ROUGHNESS	<input type="checkbox"/> ALL SURFACES <input checked="" type="checkbox"/> MARKED ONLY	TITLE MINI STACK CONNECTOR BOARDMOUNT HEADER 3S6XX-62SX-B00 PP CAGE NUMBER D78-5100-2726-7 MODEL				
125		REV. A SHT 2 OF 2				

78-5100-2726-7
 DRAWING NUMBER
 A
 REVISION
 UTC Offset (hrs) 6