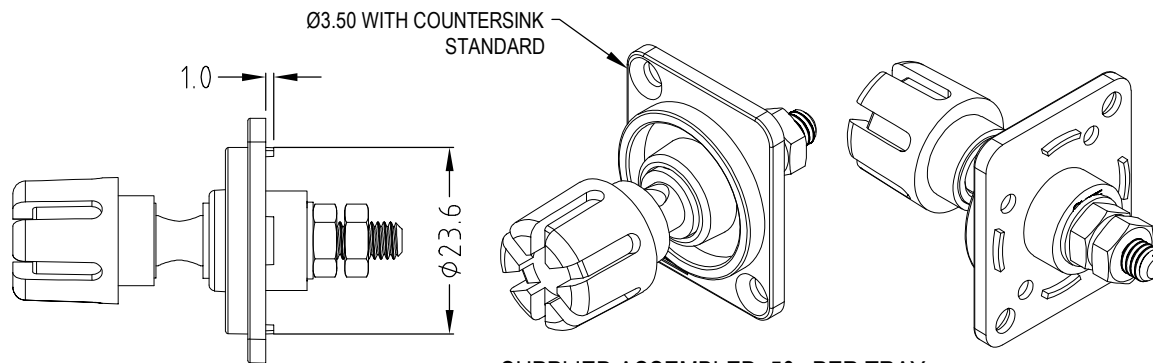
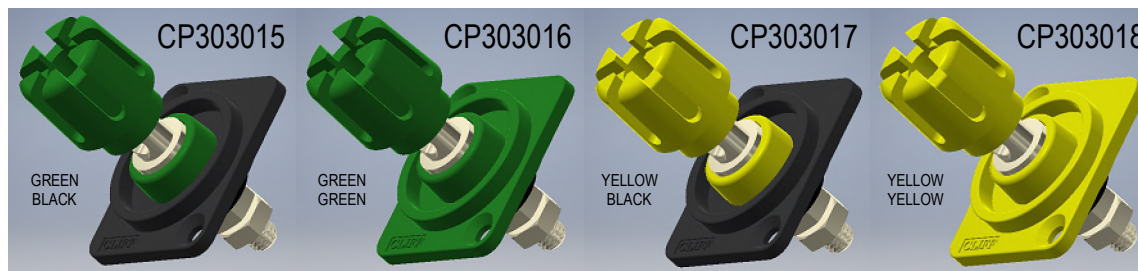
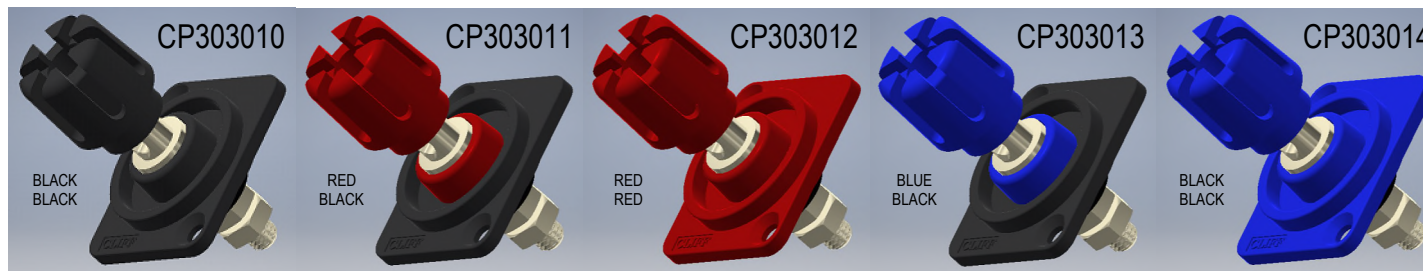
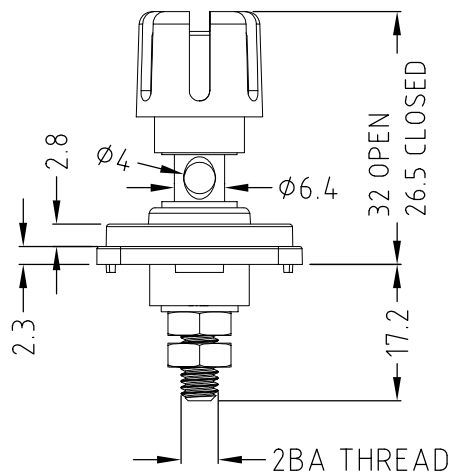


Ø3.50 WITH COUNTERSINK



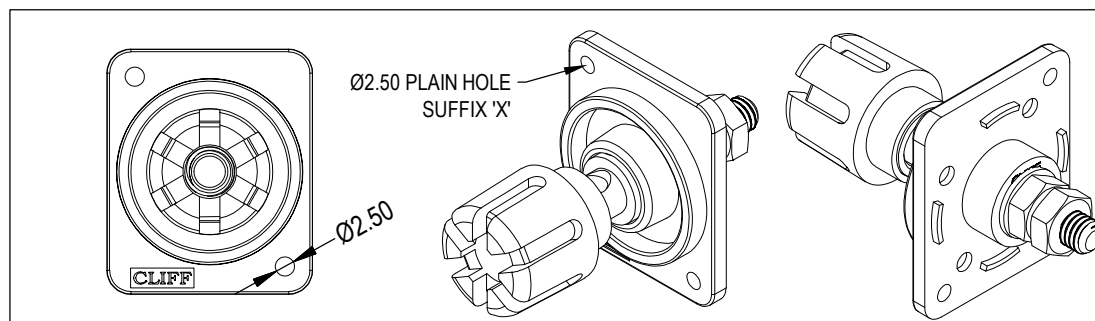
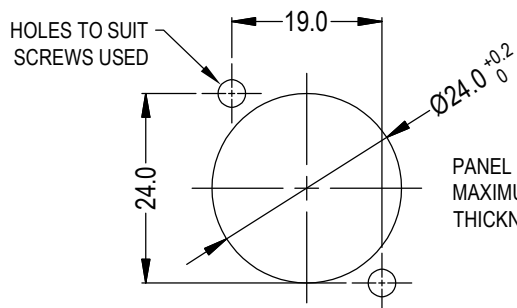
SUPPLIED ASSEMBLED, 50x PER TRAY

| ISS. | AMEND | DATE |
|------|----------------|----------|
| 1 | ISSUED | 14/03/17 |
| 2 | ADD COLOUR REF | 17/04/17 |



PART NUMBERS FOR Ø3.50 COUNTERSINK HOLES SHOWN.

FOR PLAIN Ø2.50 HOLE VERSION ADD SUFFIX 'X'.



RoHS
COMPLIANT

TOLERANCE
 NO DEC. PLACE ±
 1 DEC. PLACE ±
 2 DEC. PLACE ±
 HOLE Ø ±
 ANGLES ±
 UNLESS OTHERWISE STATED

Cliff Electronic Components Ltd.

76 Holmehorpe Avenue, Holmehorpe Industrial Estate,
 Redhill, Surrey, RH1 2PF, England, UK
 Tel: 01737-771375 Fax: 01737-766012 Website: www.cliffuk.co.uk

THE CONTENTS OF THIS DOCUMENT MUST NOT BE COPIED OR DISCLOSED TO A 3rd PARTY WITHOUT WRITTEN PERMISSION OF CLIFF UK. © 2017

DIMENSIONS IN MILLIMETERS UNLESS OTHERWISE STATED. WORK TO DIMENSIONS. REMOVE ALL BURRS. IF IN DOUBT ASK.

3rd ANGLE PROJECTION:

MATERIAL: COMPOSITE

FINISH: CLEAN

DRAWN: D.P.J.

APPROVED: D.P.J.

TITLE: XRP3 TP6S (CSK + PLAIN HOLE)

DRWG. No. CP303010

DO NOT SCALE

FORM: A4DRWG-F