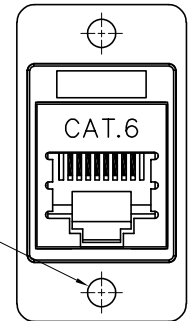
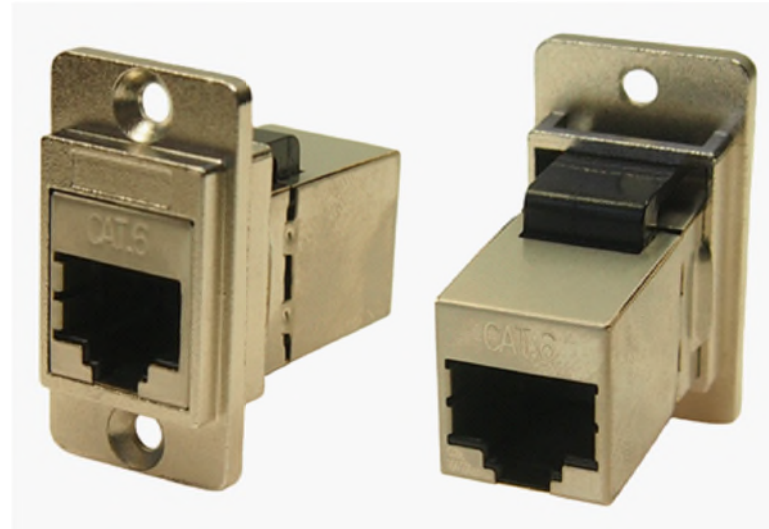
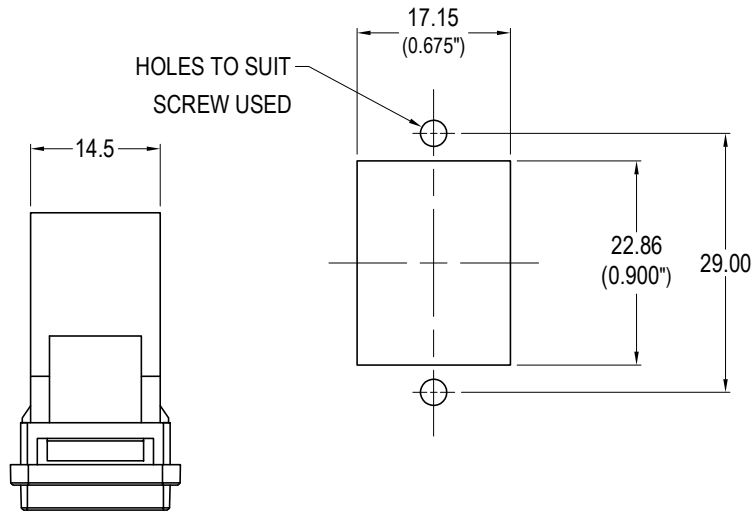
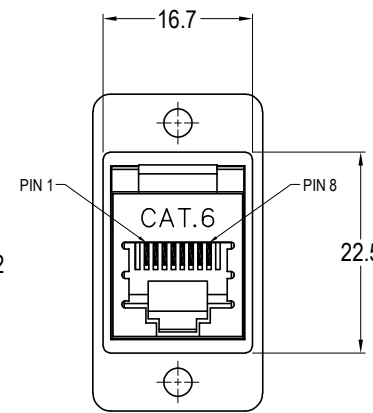
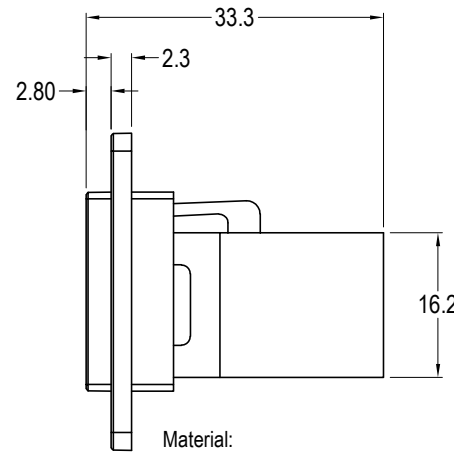
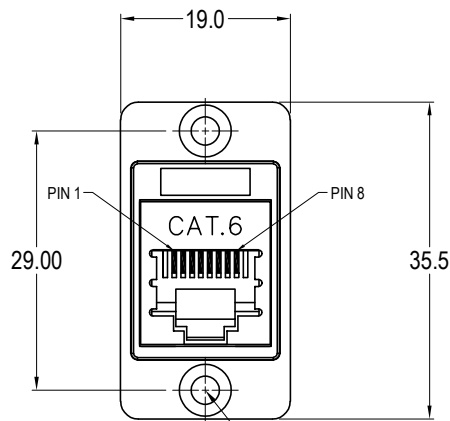


ISS.	AMEND	DATE
1	ISSUED	01/03/21

DUAL MOUNT
CAN BE FRONT OR REAR MOUNTED



Ø3.20 PLAIN HOLE
CP30722SMX1



VARIANTS	
PART NO.	HOLE DETAILS
CP30722SM	HOLE Ø3.2 x CSK 90° x Ø5.85
CP30722SM3	M3 HOLES
CP30722SM440	#4-40 UNC HOLES
CP30722SMX1	PLAIN HOLE Ø3.2

4x HOLE VARIANTS

- Ø3.2mm CSK 90° x Ø5.85
- M3 x 0.5 THREAD
- #4-40 UNC THREAD
- PLAIN Ø3.2 HOLES

Material:

1. RJ45 In-Line Coupler:
Black PC or ABS, UL 94V-0 Fully Shielded
2. RJ45 In-Line Coupler Contact:
Phosphor Bronze, 3-50 micro inches
gold plating over nickel plate.
3. PCB: FR4, UL 94V-0
4. FT Frame: Diecast, Nickel plated

Performance:

1. T568A & T568B wiring.
2. Meet ISO/IEC 11801 and EN50173
3. Meet ANSI/TIA/EIA 568B.2
4. Operating Temperatures: Min -10°C Max +70°C

RoHS
COMPLIANT

TOLERANCE
NO DEC. PLACE ±
1 DEC. PLACE ±
2 DEC. PLACE ±
HOLE Ø ±
ANGLES ±
UNLESS
OTHERWISE STATED

Cliff Electronic Components Ltd.

76 Holmethorpe Avenue, Holmethorpe Industrial Estate,
Redhill, Surrey, RH1 2PF, England, UK
Tel: 01737-771375 Fax: 01737-766012 Website: www.cliffuk.co.uk

DIMENSIONS IN MILLIMETERS UNLESS OTHERWISE STATED. WORK TO DIMENSIONS. REMOVE ALL BURRS. IF IN DOUBT ASK.

3rd ANGLE PROJECTION:

DO NOT SCALE

MATERIAL: See Notes

FINISH: See Notes

DRAWN: T.J.O.

APPROVED: D.P.J.

TITLE: DUAL MOUNT METAL SLIM FT FTP CAT6 RJ45 SHIELDED

DRWG. No. CP30722SM

FORM: A4DRWGH