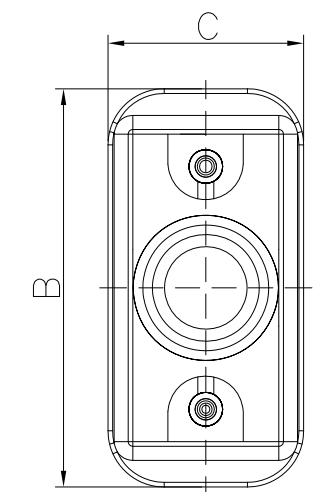
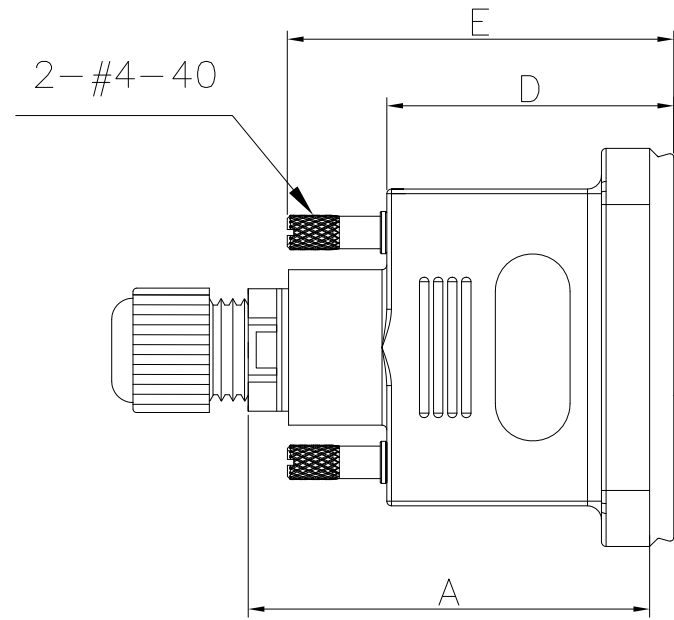
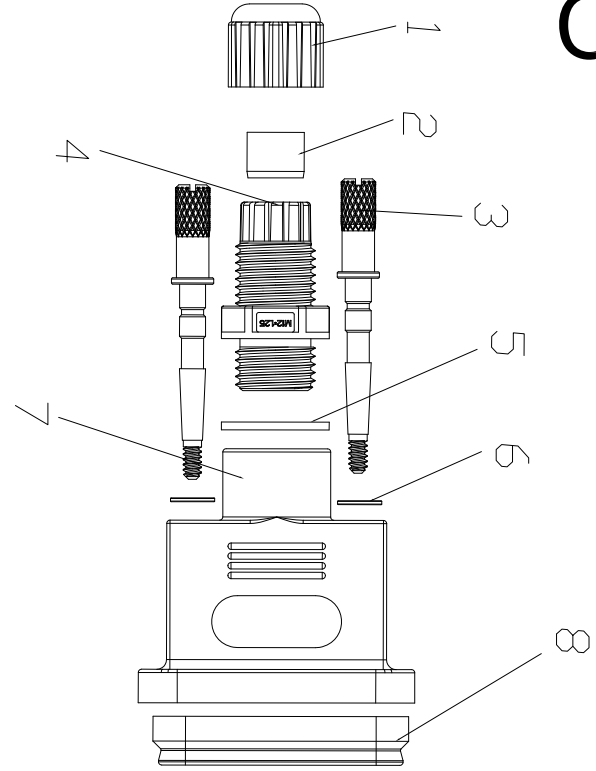


This document is the property of Amphenol Corporation and is delivered on the express condition that it is not to be disclosed, reproduced or used, in whole or in part, for manufacture or sale by anyone other than Amphenol Corporation without its prior consent, & that no right is granted to disclose or to use any information in this document.

REVISIONS

SYM	ECN	DESCRIPTION	DATE	APPROVED
1	HK--	First Release Drawing	03/25/14	IP

Customer drawing



8	Plastic 1	Silicone
7	water-proof shell	PB+ABS
6	Plastic 4	Silicone
5	plastic 2	Silicone
4	wire nut	PA66
3	Screw	FE Ni plated
2	Plastic 3	Silicone
1	Tight nut	PA66
No.	Description	Material

Part Number	Hood size	A	B	C	D	E
L 17ED E PS	E	45.2	42.7	21.0	32.9	48.2
L 17ED A PS	A	45.5	51.10	20.9	32.9	48.2
L 17ED B PS	B	45.3	64.80	20.9	32.9	48.2
L 17ED C PS	C	45.2	81.10	20.9	32.6	47.9
L 17ED D PS	D	45.2	78.9	23.9	32.6	47.9



UNLESS OTHERWISE SPECIFIED TOLERANCES		APPROVAL		DATE	
U.S.	METRIC	DRAWN	FILE	DATE	
.X	+/-	0.50	Pelts.Itu	03/25/14	
.XX	+/-	0.30	CHECKED	Tony.Tang	03/25/14
.XXX	+/-	0.20	CHECKED		
FRACTIONS	+/-				
ANGLES	+/-	5'			
FOR MATERIALS AND FINISHES SEE NOTES		DRAWING FILE :			
REMOVE SHARP EDGES		ANGLE OF PROJECTION			
DIMENSIONS					
U.S.	INCHES				
METRIC	MM				

Amphenol	
Amphenol East Asia Limited	
TITLE Waterproof hood,L17ED series	
SIZE	DRAWING NO.
A4	L17EDXPS
SCALE	NONE
SHEET 1 OF 1	
REV.	1