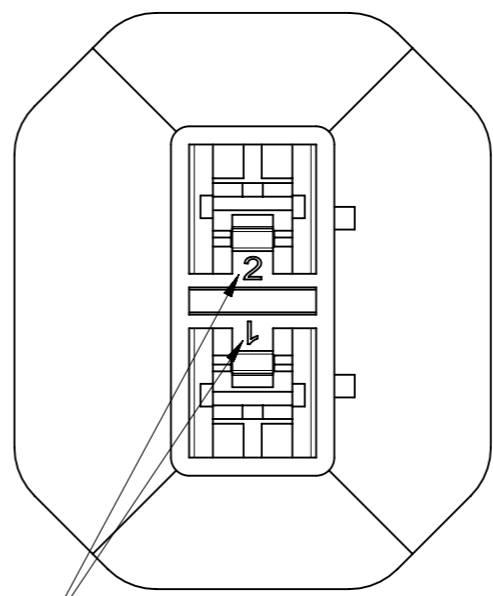
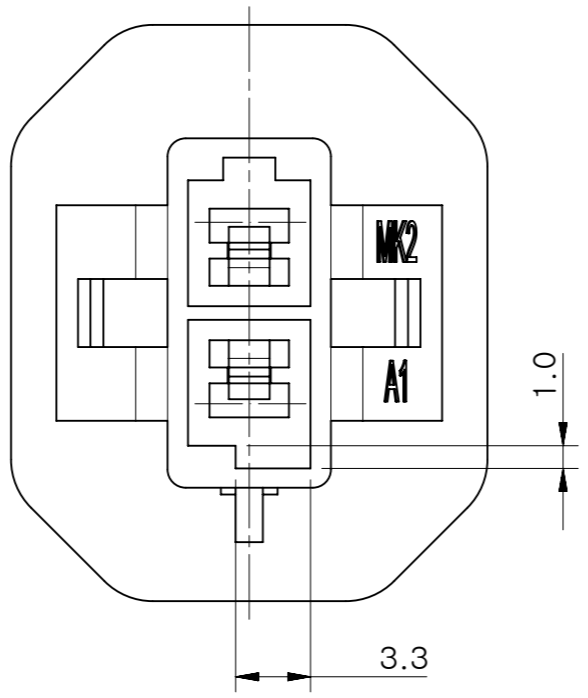
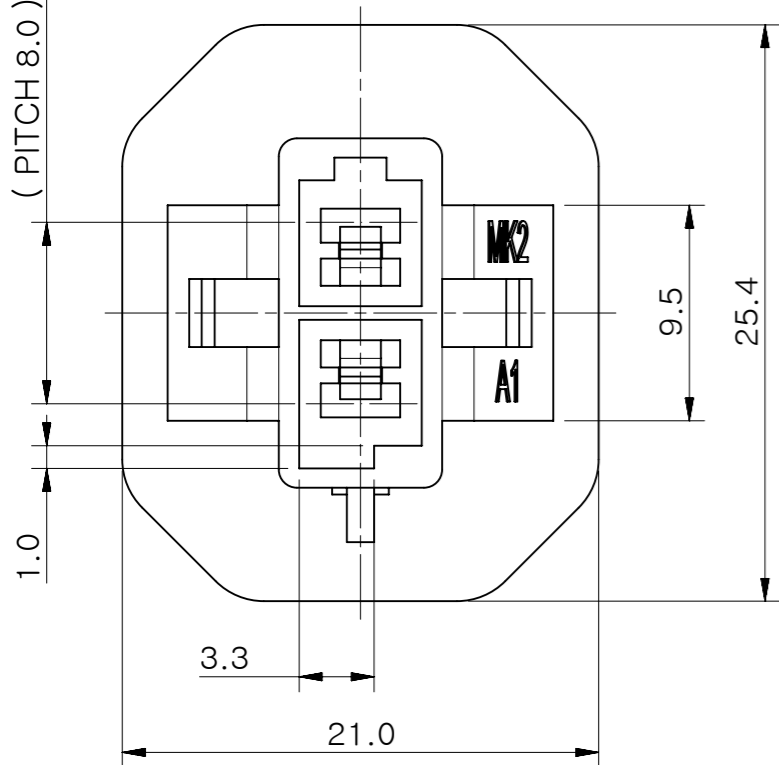


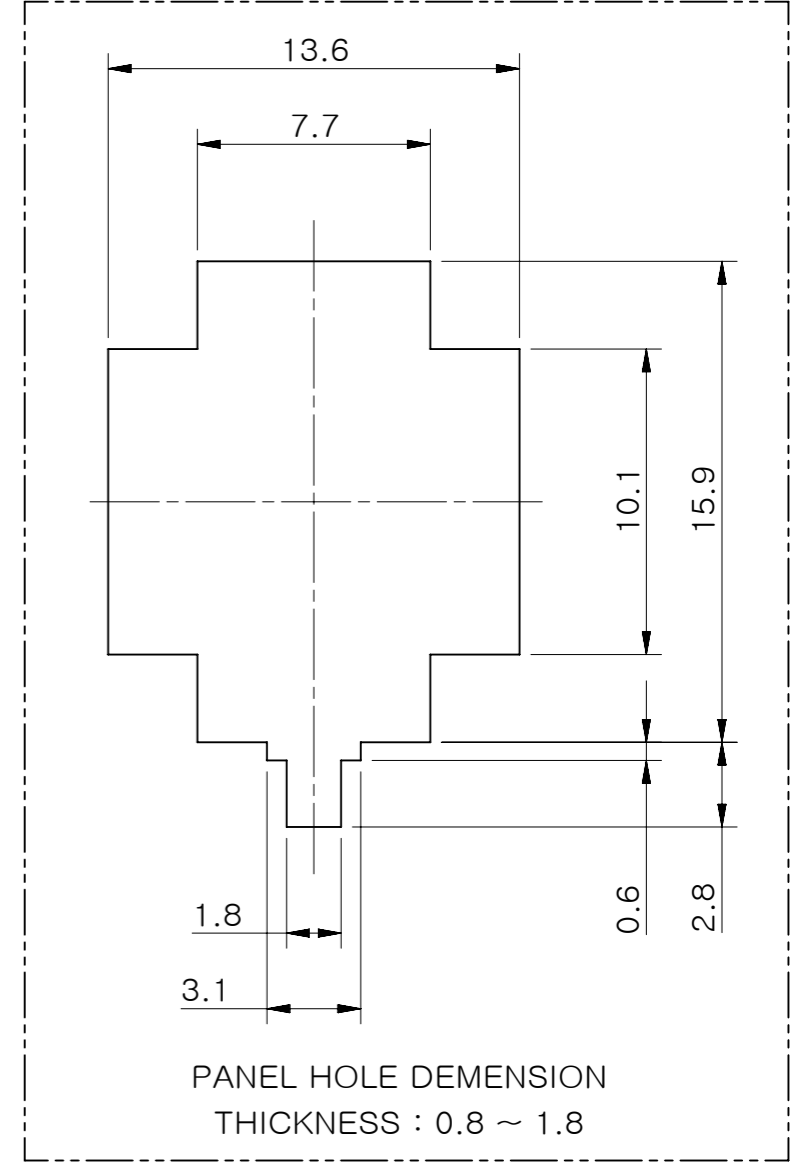
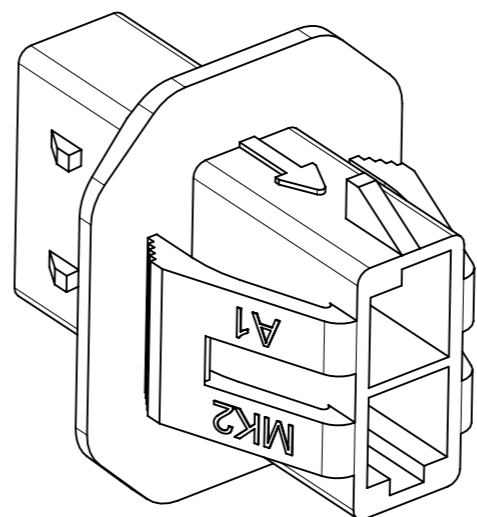
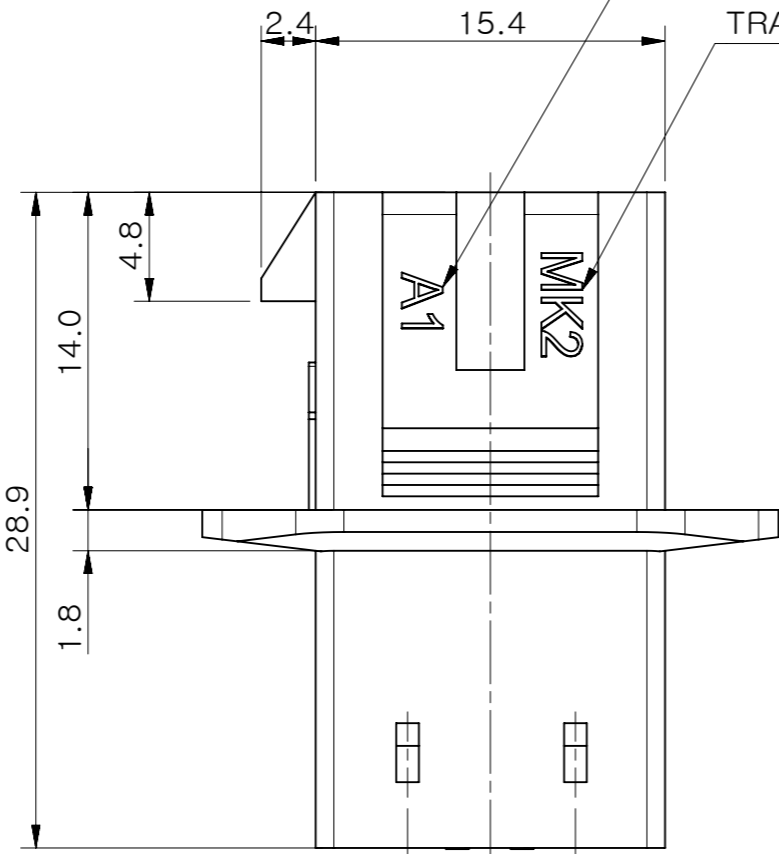
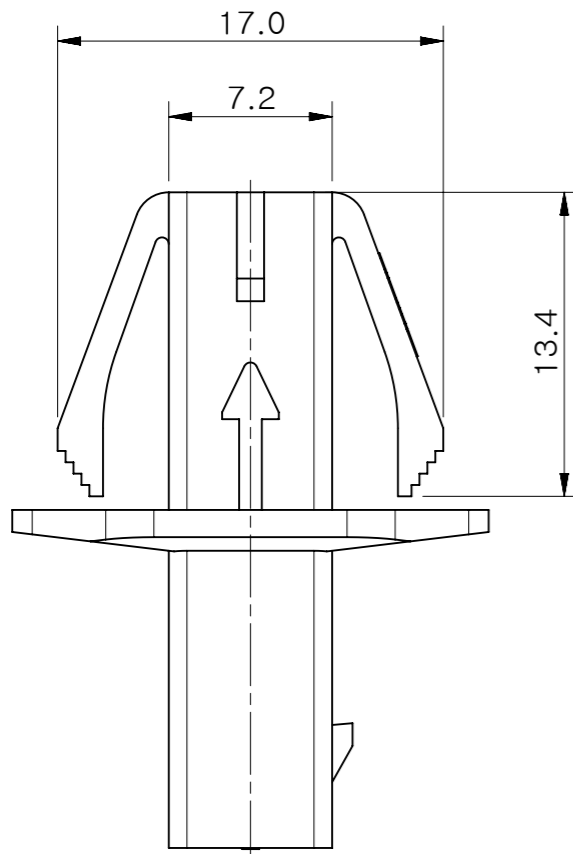
[TYPE-A]
35180-0209

[TYPE-C]
35180-0229

- NOTES.
1. MATERIAL & COLOR : SEE TABLE
 2. MATED HOUSING : SEE TABLE
 3. APPLICABLE TERMINAL : 35745 -0*10
 4. APPLICABLE TPA : 35965-029*
 5. PRODUCT SPECIFICATION : 351800200PS
 6. PACKAGE SPECIFICATION : 351800200SPK



CIRCUIT NO.
 VIEW "A"



PANEL HOLE DEMENSION
THICKNESS : 0.8 ~ 1.8

↑
VIEW "A"

NO.	MATERIAL NO.	COLOR	DESCRIPTION	MATED HOUSING
1	351800209 (TYPE-A)	NATURAL	PC/PET (UL94V-0, UNFILLED G/F)	35965-920* (TYPE-A)
2	351800229 (TYPE-C)	NATURAL		35965-922* (TYPE-C)
				204102-0209
			204102-0219	

FUNCTIONAL SYMBOLS ∇A = 0 ∇E = 0 ∇F = 0	THIS DRAWING CONTAINS INFORMATION THAT IS PROPRIETARY TO MOLEX ELECTRONIC TECHNOLOGIES, LLC AND SHOULD NOT BE USED WITHOUT WRITTEN PERMISSION	SCALE mm 3:1	CURRENT REV DESC:	
	GENERAL TOLERANCES (UNLESS SPECIFIED)	ANGULAR TOL ± °	4 PLACES ±	3 PLACES ±
DIVISIONAL SYMBOLS	2 PLACES ± 0.25	1 PLACE ± 0.3	0 PLACES ± 0.3	DRAFT WHERE APPLICABLE MUST REMAIN WITHIN DIMENSIONS
	THIRD ANGLE PROJECTION		DRAWING A3-SIZE	SERIES 35180
EC NO: 681214 DRWN: JDPARK01 CHK'D: SCHONG03 APPR: JBJIN		2021/01/04 2021/10/15 2021/10/18	DOCUMENT NUMBER 351800200	
INITIAL REVISION: DRWN: JDPARK01 APPR: JBJIN		2021/01/04 2021/10/18	DOC TYPE PSD	DOC PART 000
MATERIAL NUMBER		CUSTOMER	SHEET NUMBER 1 OF 1	

molex

.070 MULTI W/W CONN. MALE HSG -2P

PRODUCT CUSTOMER DRAWING

351800200