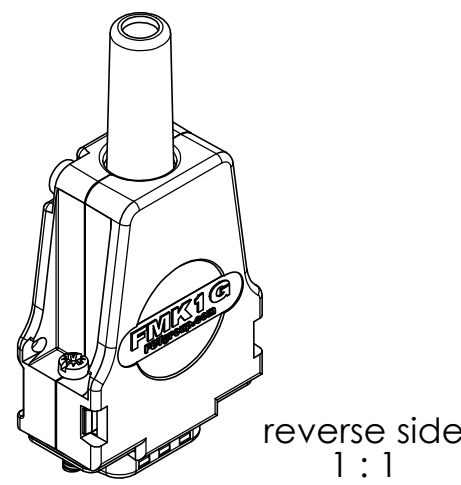
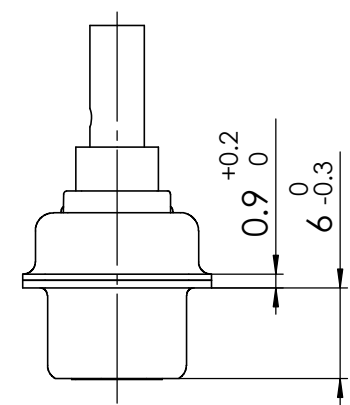
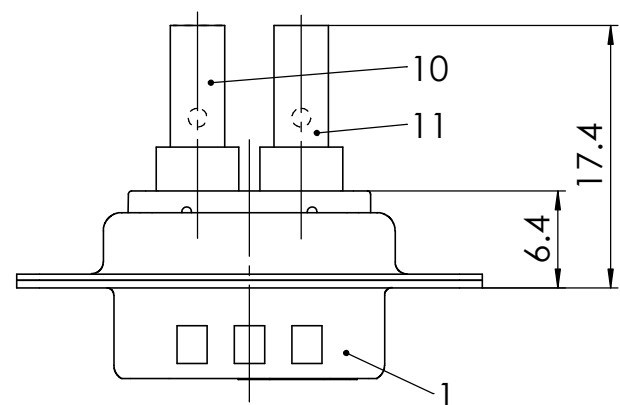
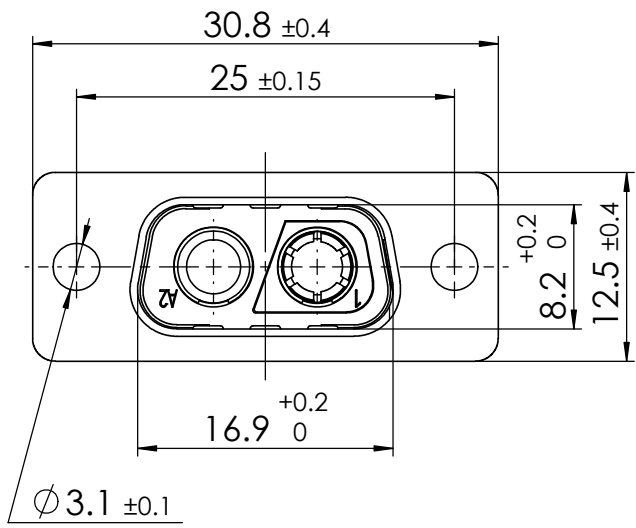
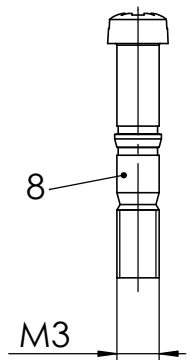


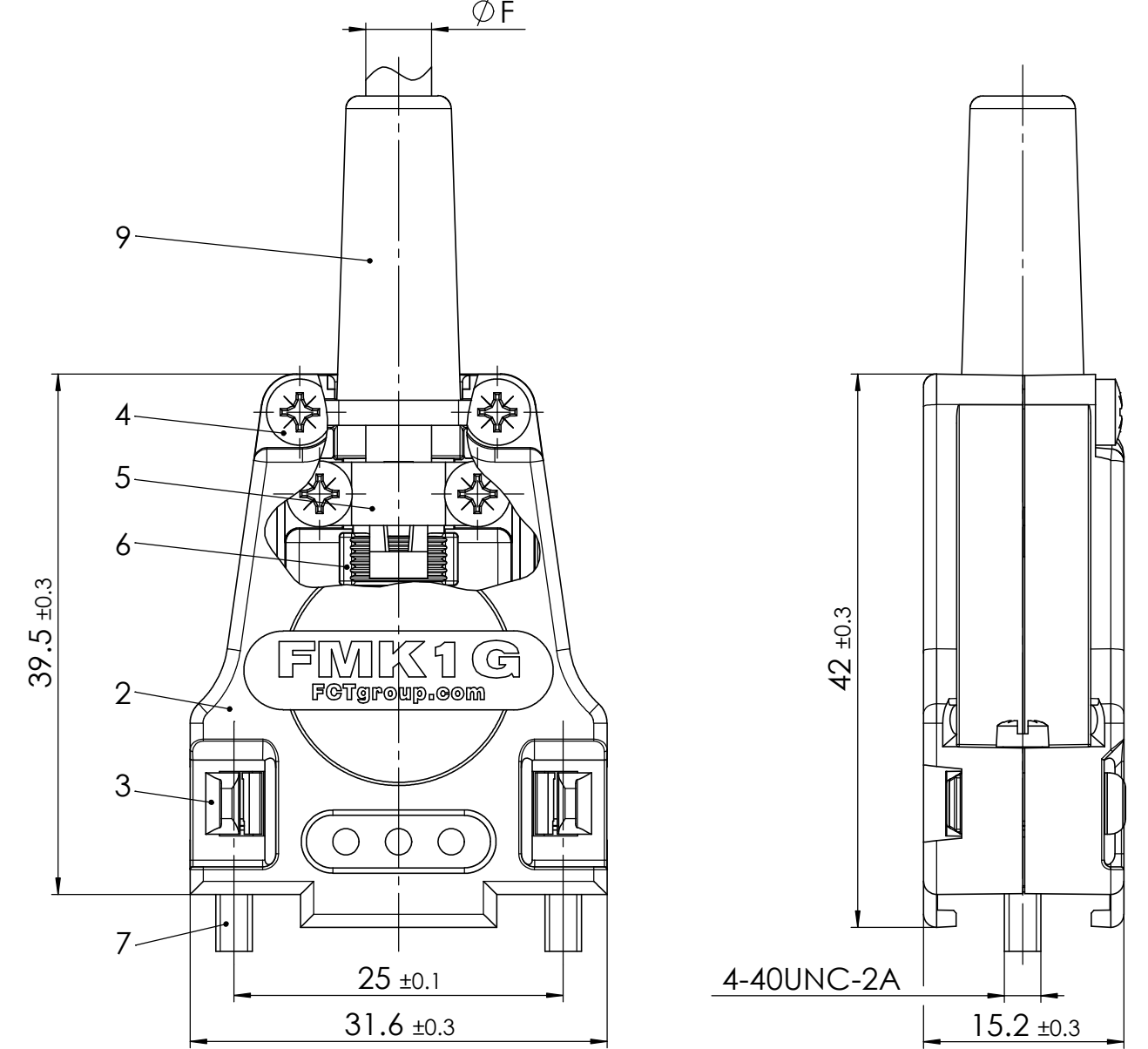
COMMENT: ALL RIGHTS ARE RESERVED BY US FOR THIS DRAWING. WITHOUT OUR PRIOR CONSENT, IT MAY NEITHER BE DUBLICATED NOR MADE AVAILABLE TO A THIRD PARTY, AND IT ALSO MAY NOT BE IMPROPERLY USED BY THE RECEIVER, OR A THIRD PARTY.



RoHS compliant  
by exemption

Packing unit on supplement AM0665  
max. torque are 40 Ncm  
Part-No. 4, 5, 9, 10 and 11 not mounted  
Part-No. 6 alternatively in Zinc die-cast, tin plated

øF1 = Cable diameter without rubber bushing ø3 - ø9.5mm  
øF2 = Cable diameter with rubber bushing max. ø6.5mm



No.	St.	Part	Type Description/Material	Surface plating/Colour/Class
11	1	High power contact	FMP003S103	20A / AWG 12-14
10	1	High power contact	FMP003P103	20A / AWG 12-14
9	1	Rubber bushing	TPE	black
8	2	Locking screw	FVS1/5-K1163 M3 / Steel	nickel plated
7	2	Locking screw	FVS1/5-K1163 4-40 / Steel	nickel plated
6	1	Strain relief	ABS	nickel plated
5	1	Cable clamp	Steel	tin plated
4	4	Screw	Case hardened steel	zinc plated
3	2	Catch spring	PEI	black
2	1	Hood	FMK1G / Zinc die-cast	nickel plated
1	1	Mixed-Layout Connector	F2W2PC-K120	

SYMBOLS					THIS DRAWING CONTAINS INFORMATION THAT IS PROPRIETARY TO MOLEX ELECTRONIC TECHNOLOGIES, LLC AND SHOULD NOT BE USED WITHOUT WRITTEN PERMISSION				
▽ = 0	▽ = 0	▽ = 0	▽ = 0	▽ = 0	DIMENSION UNITS	SCALE	MEASUREMENTS WITHOUT TOLERANCE ACC. TO	<b>molex</b>	
▽ = 0	▽ = 0	▽ = 0	▽ = 0	▽ = 0	mm	2:1	ISO 2768-m		
▽ = 0	▽ = 0	▽ = 0	▽ = 0	▽ = 0	CURRENT REVISION			PRODUCT CUSTOMER DRAWING	
▽ = 0	▽ = 0	▽ = 0	▽ = 0	▽ = 0	DRWN: DRAWN BY ameyerrichte 10-08-2021			MATERIAL NUMBER	
▽ = 0	▽ = 0	▽ = 0	▽ = 0	▽ = 0	APPR: APPR BY BWittek 12-08-2021			REVISION	
▽ = 0	▽ = 0	▽ = 0	▽ = 0	▽ = 0	INITIAL REVISION			1731140979	
▽ = 0	▽ = 0	▽ = 0	▽ = 0	▽ = 0	DRWN: DRAWN BY ameyerrichte 10-08-2021			DOCUMENT NUMBER	
▽ = 0	▽ = 0	▽ = 0	▽ = 0	▽ = 0	APPR: APPR BY BWittek 12-08-2021			FMK1G-2W2PC-6193	
▽ = 0	▽ = 0	▽ = 0	▽ = 0	▽ = 0	REV.	CH.-NO.	REPLACEMENT FOR:	CUSTOMER	SHEET NUMBER
▽ = 0	▽ = 0	▽ = 0	▽ = 0	▽ = 0			THIRD ANGLE PROJECTION	GENERAL MARKET	1 OF 1
▽ = 0	▽ = 0	▽ = 0	▽ = 0	▽ = 0			DRAWING		
▽ = 0	▽ = 0	▽ = 0	▽ = 0	▽ = 0			A3-SIZE		