

6

5

4

3

2

1

D

D

C

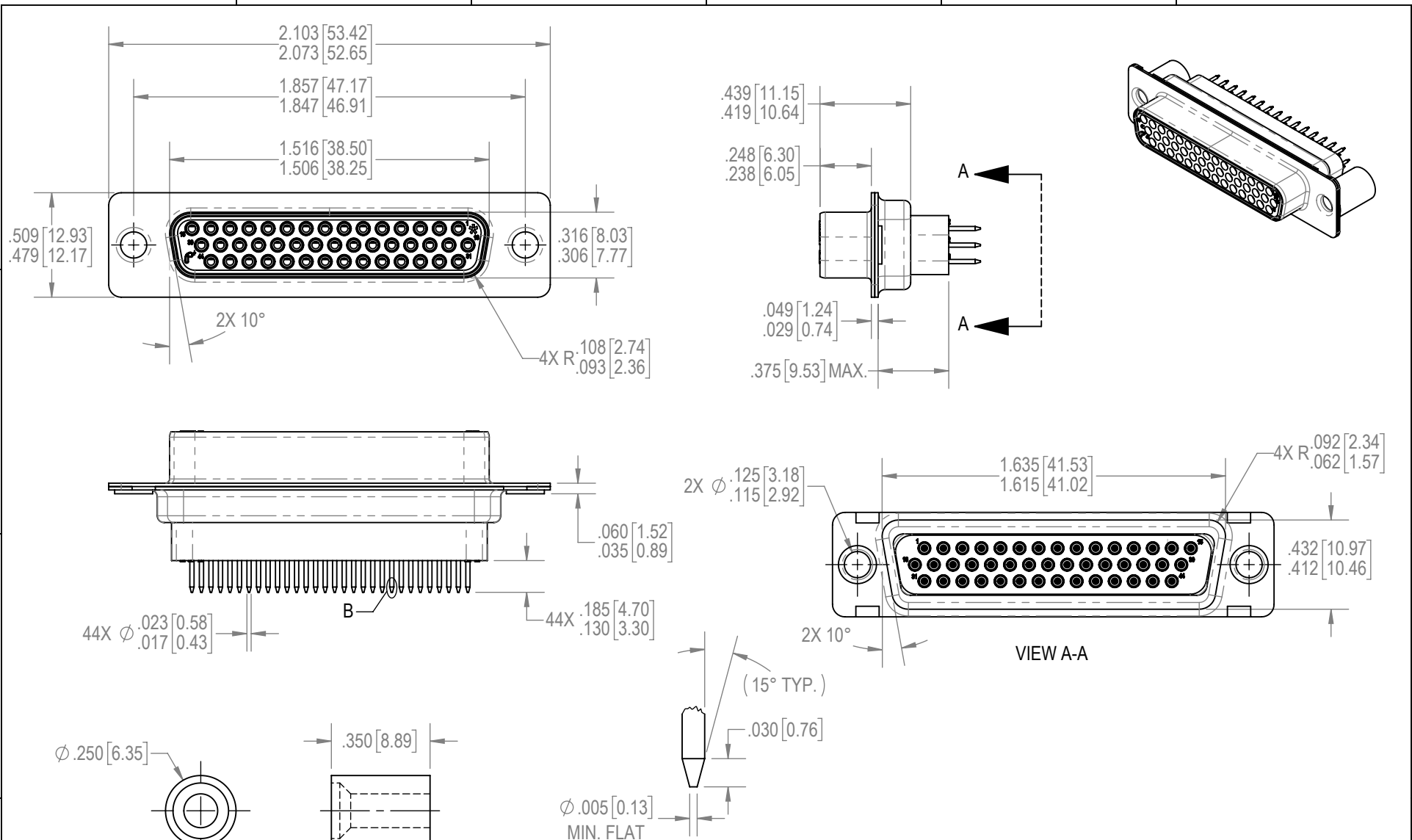
C

B

B

A

A



NOTES:

1. THE REQUIREMENTS FOR THE PRODUCT HEREIN SHALL CONSIST OF MIL-DTL-24308.
2. IN THE EVENT OF A CONFLICT BETWEEN THIS DOCUMENT AND MIL-DTL-24308, MIL-DTL-24308 SHALL TAKE PRECEDENCE.
3. SPACERS WILL BE SUPPLIED WITH CONNECTORS (NOT ATTACHED TO THE CONNECTOR).
4. DIMENSIONS ARE IN INCHES. METRIC EQUIVALENTS ARE GIVEN FOR INFORMATION ONLY.

BY SBM	CHK AB	3RD ANGLE 	POSITRONIC BELIEVES THE DATA ON THE DRAWING TO BE RELIABLE. THE USER EMPLOYS SUCH INFORMATION AT HIS OWN DISCRETION AND RISK. POSITRONIC ASSUMES NO RESPONSIBILITY FOR RESULTS OBTAINED OR DAMAGES INCURRED FROM USE OF SUCH INFORMATION IN WHOLE OR IN PART.	 Positronic CONNECTPOSITRONIC.COM
APR PA	RELEASED DATE: 2021-08-10	SCALE NTS		
TOLERANCES ±0.010 INCHES [0.25mm]		PART NUMBER M24308/23-63F	SERIES M24308	
TITLE M24308/23-63F				
CREATED ON: 2021-07-16	SHEET SHEET 1 OF 1	REV A		

6

5

4

3

2

1