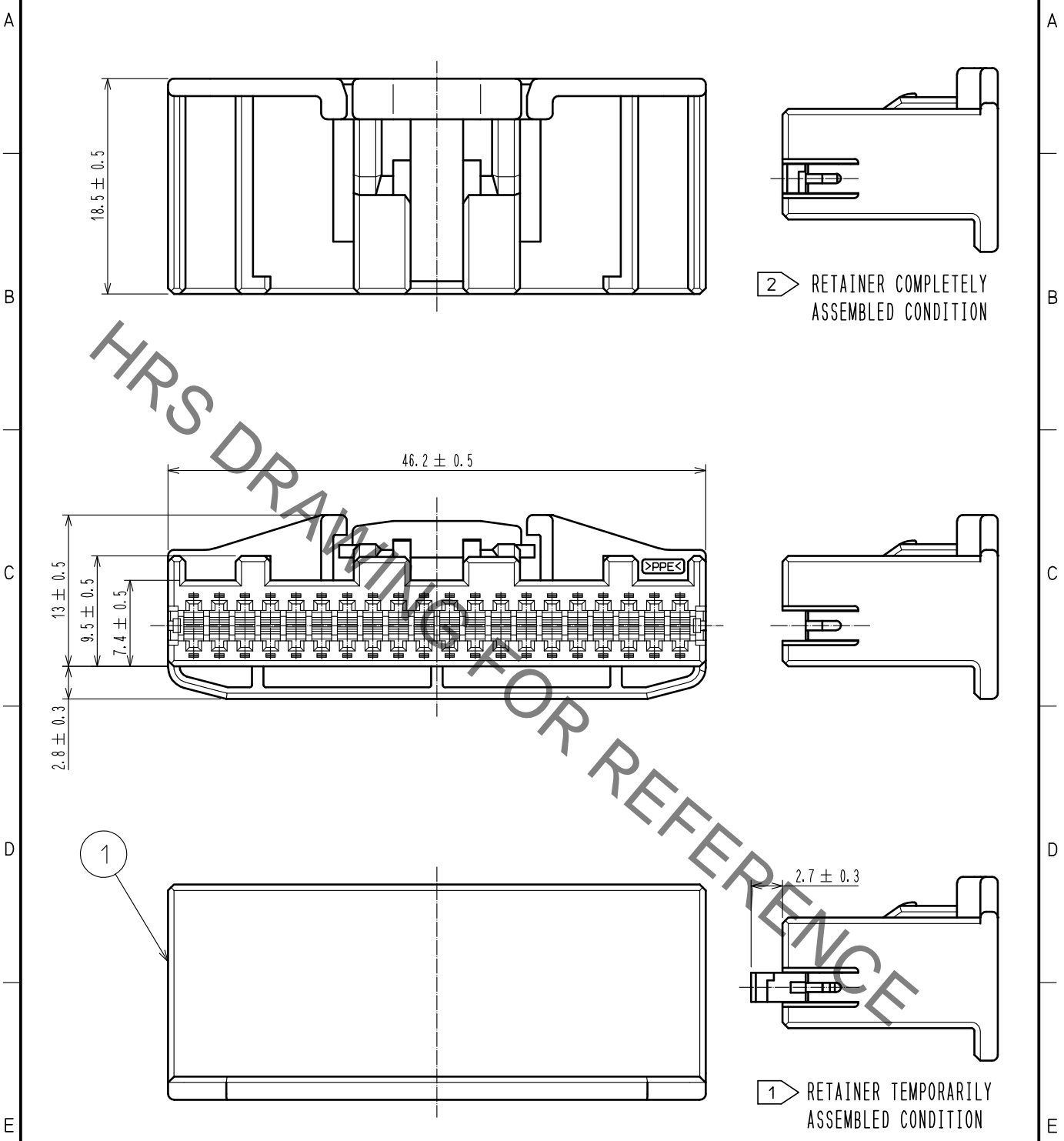


Mar.1.2022 Copyright 2022 HIROSE ELECTRIC CO., LTD. All Rights Reserved.
 In case of consideration for using Automotive equipment / device which demand high reliability, kindly contact our sales window correspondents.

ELV. RoHS COMPLIANT



NOTE. 1 Use this product with retainer GT25-40DS-R preset.
 Retainer GT25-40DS-R product No. : CL775-0028-0
 NOTE. 2 RETAINER TO BE COMPLETELY ASSEMBLED INTO POSITION AFTER CONTACT IS INSERTED.

1	PPE	BLACK							
NO.	MATERIAL	FINISH .	REMARKS	NO.	MATERIAL	FINISH .	REMARKS		
UNITS mm		SCALE 2 : 1	COUNT 	DESCRIPTION OF REVISIONS			DESIGNED	CHECKED	DATE
HIROSE ELECTRIC CO., LTD.		APPROVED	AR. SHIRAI	15.11.04	DRAWING NO.	EDC-362854-00-00			
		CHECKED	MO. OKADA	15.11.04	PART NO.	GT25-40DS-HU			
		DESIGNED	Li Gang	15.11.04	CODE NO.	CL775-0023-0-00			
		DRAWN	Li Gang	15.11.04					1