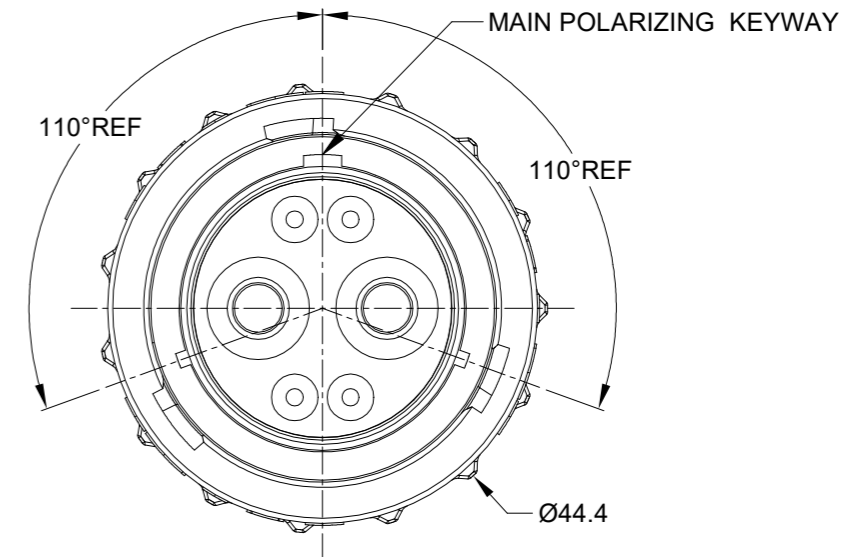
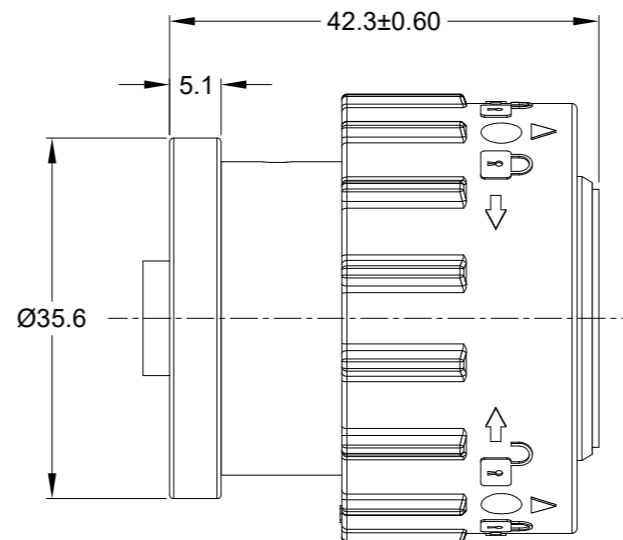
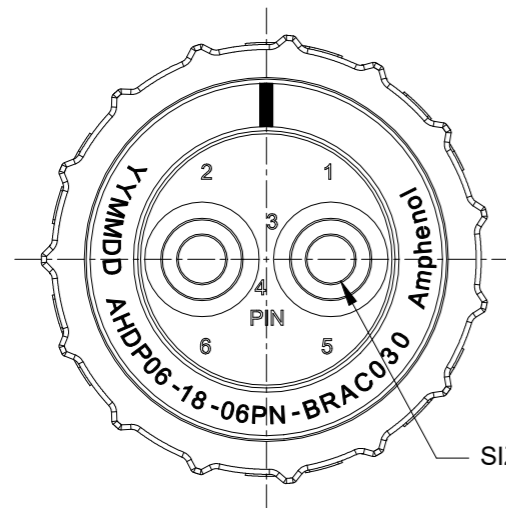


REVISIONS					
REV	ECO	DESCRIPTION	DATE	BY	APPR
A1	-	RELEASE NEW DRAWING	29/MAR/22	MILO	TOMMY

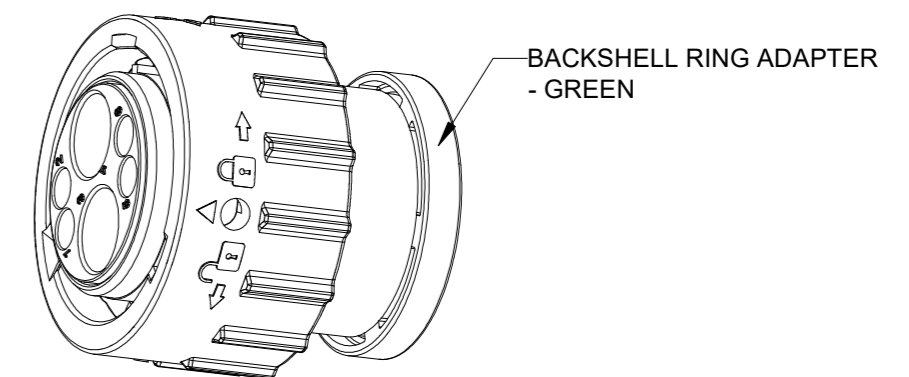


NOTES: UNLESS OTHERWISE SPECIFIED

- MATERIAL:  
HOUSING: THERMOPLASTIC; BLACK  
SEAL: SILICONE RUBBER
- MODIFICATIONS: BACKSHELL RING ADAPTER (BRA);  
STANDARD DIA. WIRE SEAL
- SPECIFICATIONS:
  - OPERATING TEMPERATURE: -55°C TO +125°C.
  - DIELECTRIC WITHSTANDING VOLTAGE: LESS THAN 2 MILLIAMPS CURRENT LEAKAGE @ 1500 VOLTS AC.
  - INSULATION RESISTANCE: 1000 MEGOHM MIN @ 25°C.
  - MOISTURE RESISTANCE:  
IP68(IM OF WATER FOR A PERIOD OF 24 HOURS, MATED CONDITION);  
IP69K(MATED CONDITION).
  - MATING CYCLE DURABILITY: 100 CYCLES
  - RoHS COMPLIANT
- MATING PART: AHDP02-18-06S\* & AHDP04-18-06S\* ( \* = SEAL TYPE ) (C030 OPTION)
- ALL DIMENSIONS ARE FOR REFERENCE USE ONLY.

△ CONTACT SIZE AND WIRE RANGE:

CONTACT SIZE	MIN. INSUL O.D.	MAX. INSUL O.D.	TYPICAL WIRE RANGE	CURRENT RATING
4	6.63 mm (.261in)	7.42 mm (.292 in)	6 AWG (16.0-13.0mm <sup>2</sup> )	100 AMPS



QUANTITY	PART NUMBER	DESCRIPTION	ITEM
	AHDP06-18-06PN-BRAC030		

MATERIALS LIST			
UNLESS OTHERWISE SPECIFIED	SIGNATURES	DATE	
1) All dimensions are in metric(mm). 2) Tolerances are as follows: 1 PL DEC ±0.30 2 PL DEC ±0.15 3 PL DEC ±0.08	DRAWN: MILO CHECKED: SULLEN ENGINEER: APPROVAL: TOMMY	29/MAR/22 30/MAR/22 31/MAR/22	
3) Note reference = △ x	CUSTOMER:		
MATERIAL SPECIFICATIONS: WEIGHT: 49.8g	THIS DRAWING IS SUPPLIED FOR INFORMATION ONLY. DESIGN FEATURES, SPECIFICATIONS AND PERFORMANCE DATA SHOWN HEREON ARE THE PROPERTY OF THE AMPHENOL CORPORATION. NO RIGHTS OF REPRODUCTION ARE IMPLIED. ALL DIMENSIONS ARE SUBJECT TO NORMAL MANUFACTURING VARIATIONS.		
PROCESS SPECIFICATIONS:			
NEXT ASSY:			

<b>Amphenol</b>			
Sine Systems - www.amphenol-sine.com 44724 Morley Drive Clinton Township, MI 48036			
<b>2POS, PLUG, PIN, SIZE 18, NORMAL SEAL, BRA, C030, DURAMATE AHDP</b>			
SIZE	TYPE	DWG NO.	REVISION
<b>B</b>	<b>C-</b>	<b>AHDP06-18-06PN-BRAC030</b>	<b>A1</b>
SCALE:	NONE	DURAMATE	SHEET 1 OF 1

TITLE: 2POS, PLUG, PIN, SIZE 18, NORMAL SEAL, BRA, C030, DURAMATE AHDP  
DWG NO.: AHDP06-18-06PN-BRAC030  
REV: A1  
SH: 1  
OF: 1