

REVISIONS				
P	LTR	DESCRIPTION	DATE	APVD

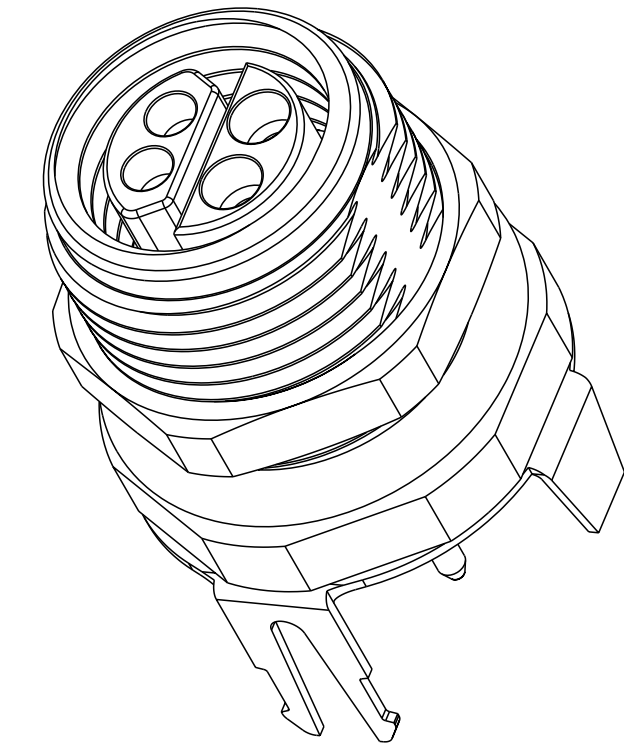
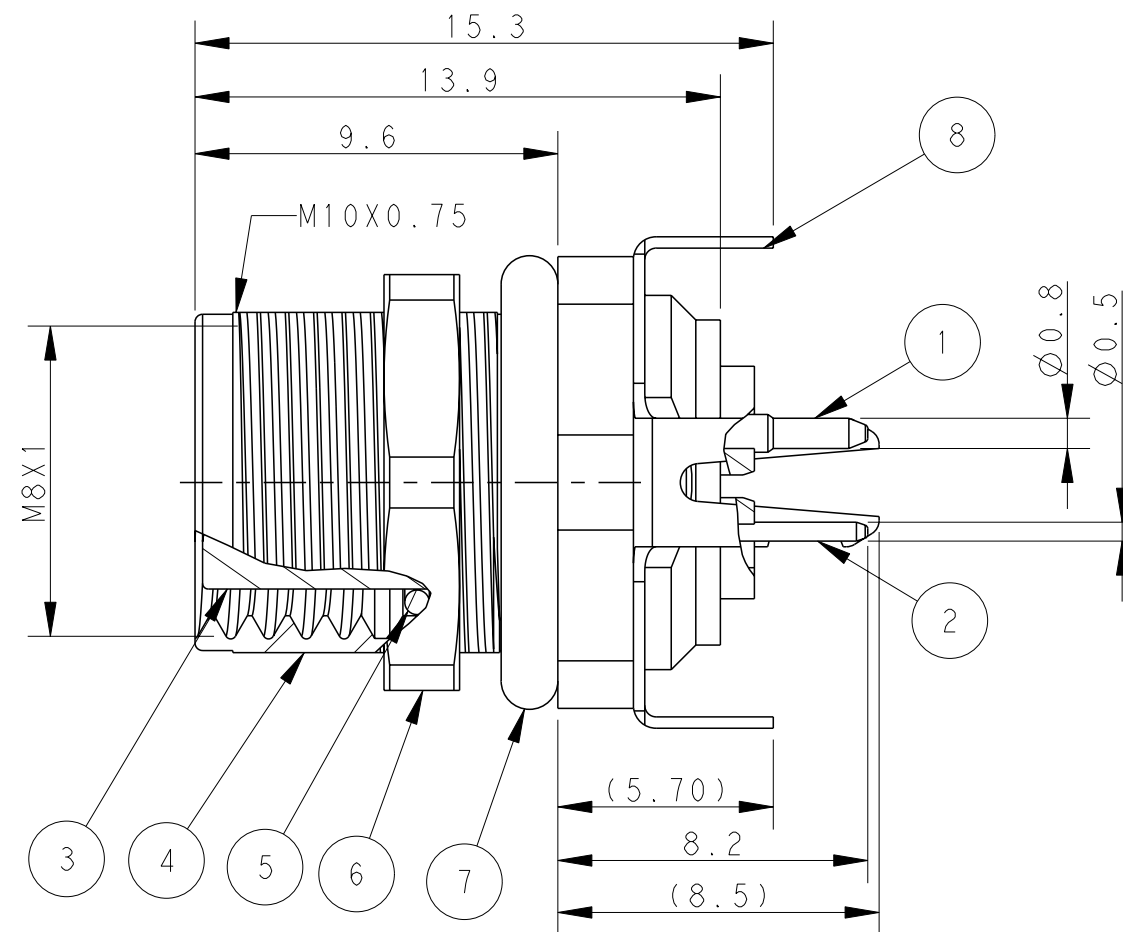
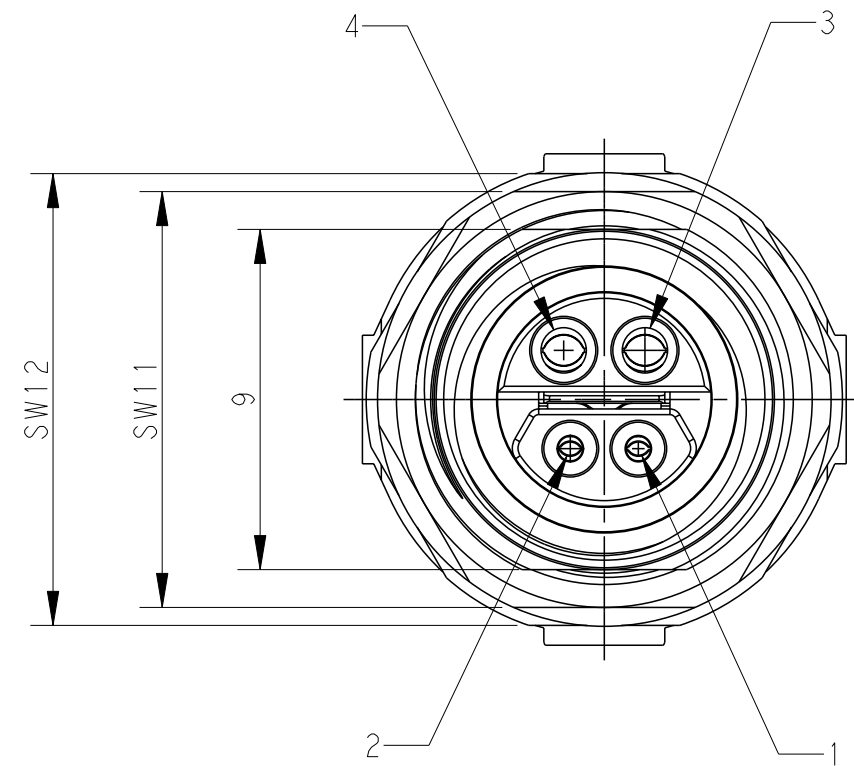
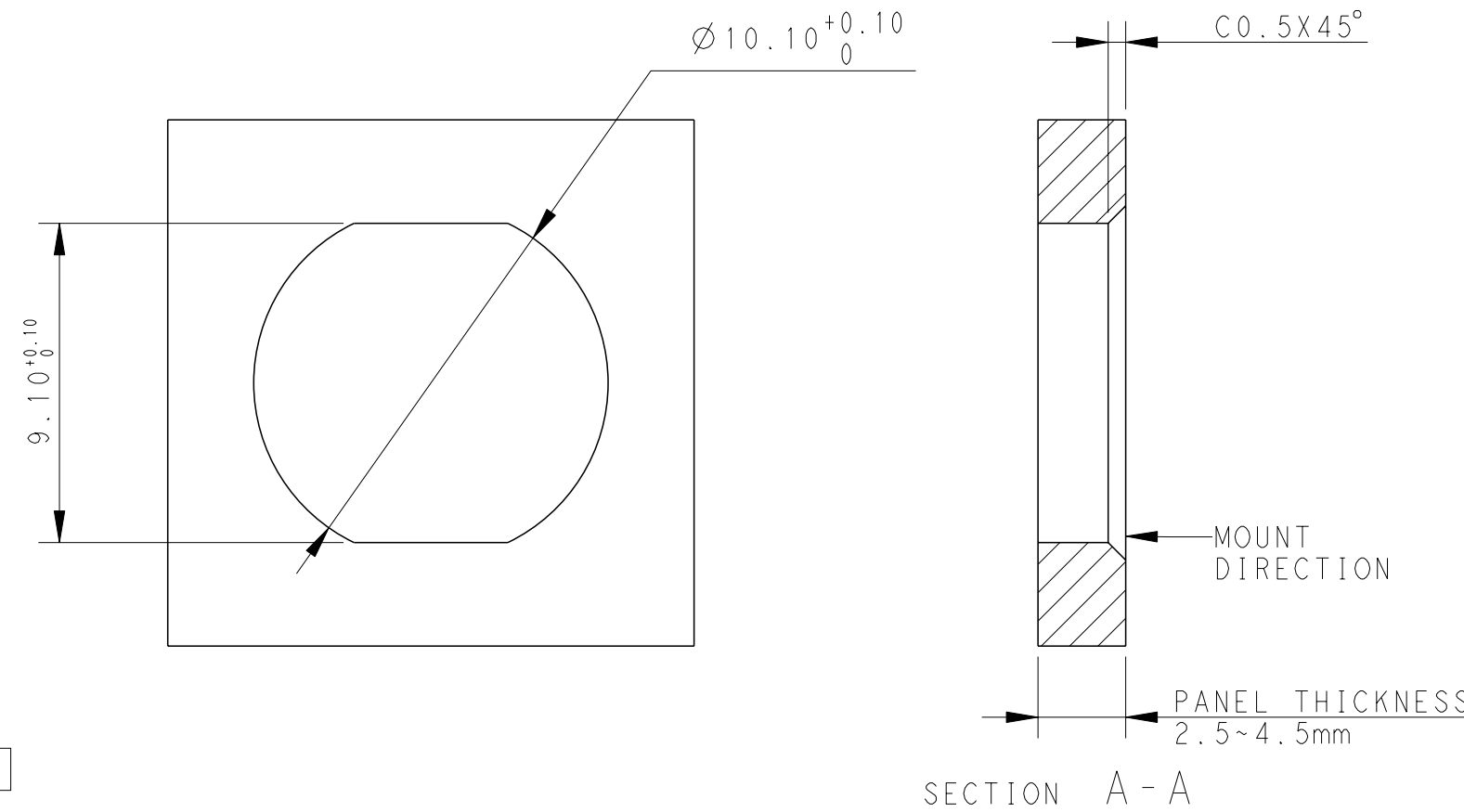


TABLE 1

TECHNICAL DATA	T4040110044-000
VOLTAGE PROOF	1000VDC (ADJACENT CONTACTS) 2250VDC (CONTACTS TO SHIELDED)
RATED VOLTAGE	60VDC MAX.
RATED CURRENT	8A MAX. (POWER CONTACTS) 4A MAX. (SIGNAL CONTACTS)
OVERVOLTAGE CATEGORY	II
MATERIAL GROUP	I
DEGREE OF PROTECTION (MATING CONDITION)	IP67
TEMPERATURE	-40°C~85°C



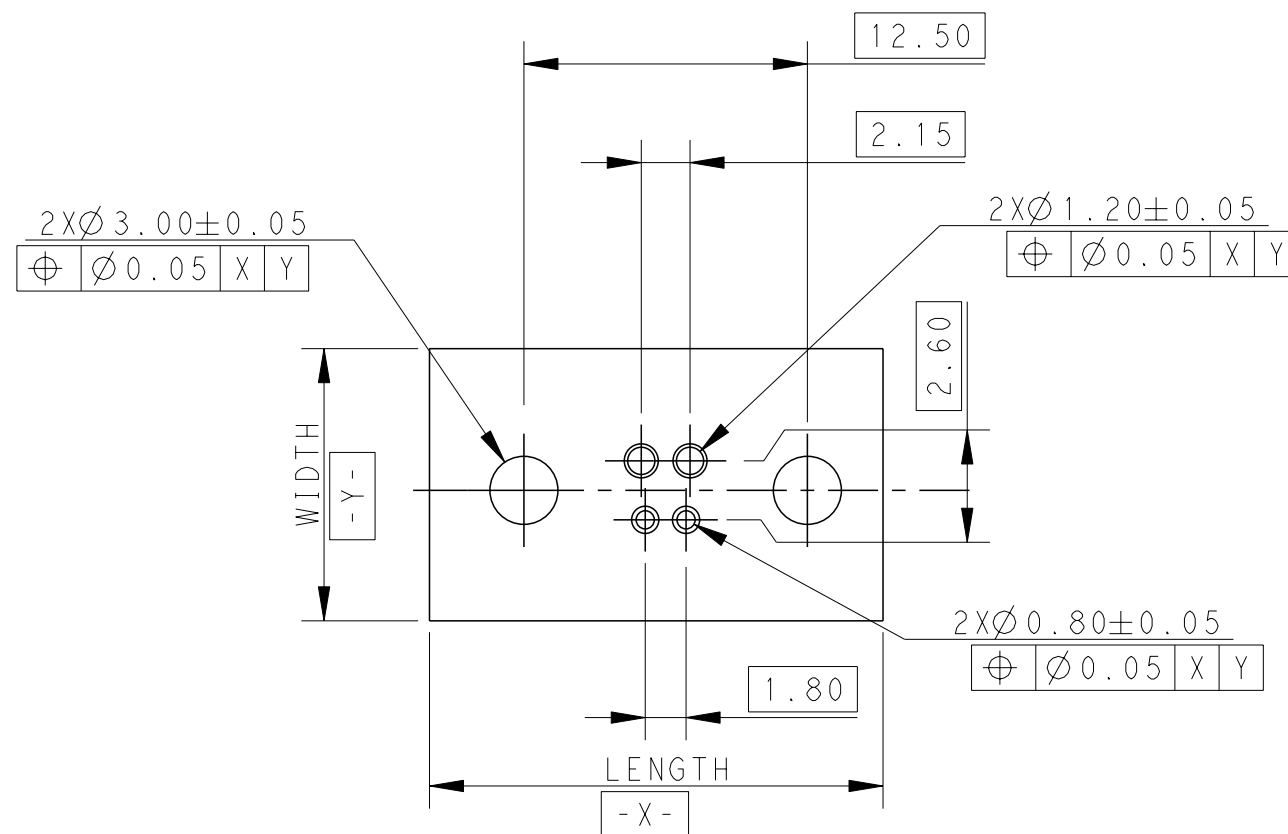
NOTES:

1. TECHNICAL DATA: SEE TABLE 1
2. RECOMMENDED MOUNT PANEL SEE DETAIL
3. PRODUCT COMPLIES WITH IEC 63171-6 ED2
4. PLASTIC INSERT MATERIAL:
UL LISTED WITH UL94V0 FLAME RATING
5. PRODUCT COMPLIES WITH ROHS AND REACH.

注意事项

1. 技术参数：见表1
2. 推荐开孔尺寸如图；
3. 产品符合标准 IEC 63171-6 ED2
4. 塑胶材料符合UL标准，UL94V0
5. 产品必须符合ROHS与REACH.

PLATING	MATERIAL	DESCRIPTION	ITEM
TIN PLATED	COPPER ALLOY	SHIELDED	8
-	SILICON RUBBER	O-RING	7
NICKEL PLATED	COPPER ALLOY	NUT	6
-	SILICON RUBBER	O-RING	5
NICKEL PLATED	COPPER ALLOY	METAL BODY	4
-	NYLON	INSERT	3
0.76um GOLD PLATED TO CONTACT AREA	COPPER ALLOY	SIGNAL CONTACT	2
0.76um GOLD PLATED TO CONTACT AREA	COPPER ALLOY	POWER CONTACT	1



RECOMMENDED PCB LAYOUT
PCB THICKNESS: 1.6mm
SCALE 3:1

SPE T1 INDUSTRIAL M8 HYBRID IP67, REAR PANEL MOUNT, FEMALE, PCB SOLDER, SHIELDED	RPC-SPE-M8-FF-4CON-LBUS	4	T4040110044-000
DESCRIPTION	TYPE	POS.	PART NUMBER

THIS DRAWING IS A CONTROLLED DOCUMENT.		DWN HE HART 08 JUN 2020														
DIMENSIONS: mm		CHK WANG CHRIS 08 JUN 2020														
TOLERANCES UNLESS OTHERWISE SPECIFIED:		APVD WANG CHRIS 08 JUN 2020														
<table border="1"> <tr><td>0 PLC</td><td>±</td></tr> <tr><td>1 PLC</td><td>±</td></tr> <tr><td>2 PLC</td><td>±</td></tr> <tr><td>3 PLC</td><td>±</td></tr> <tr><td>4 PLC</td><td>±</td></tr> <tr><td>ANGLES</td><td>±</td></tr> <tr><td>FINISH</td><td>±</td></tr> </table>		0 PLC		±	1 PLC	±	2 PLC	±	3 PLC	±	4 PLC	±	ANGLES	±	FINISH	±
0 PLC	±															
1 PLC	±															
2 PLC	±															
3 PLC	±															
4 PLC	±															
ANGLES	±															
FINISH	±															
MATERIAL	-	APPLICATION SPEC 114-137144-1	NAME SPE T1 INDUSTRIAL M8 HYBRID IP67 REAR PANEL MOUNT, FEMALE, PCB SOLDER, SHIELDED													
CUSTOMER DRAWING		WEIGHT	SIZE A200779													
SCALE 5:1		SHEET 1 OF 1	DRAWING NO C-T4040110044000													
REV A		RESTRICTED TO														