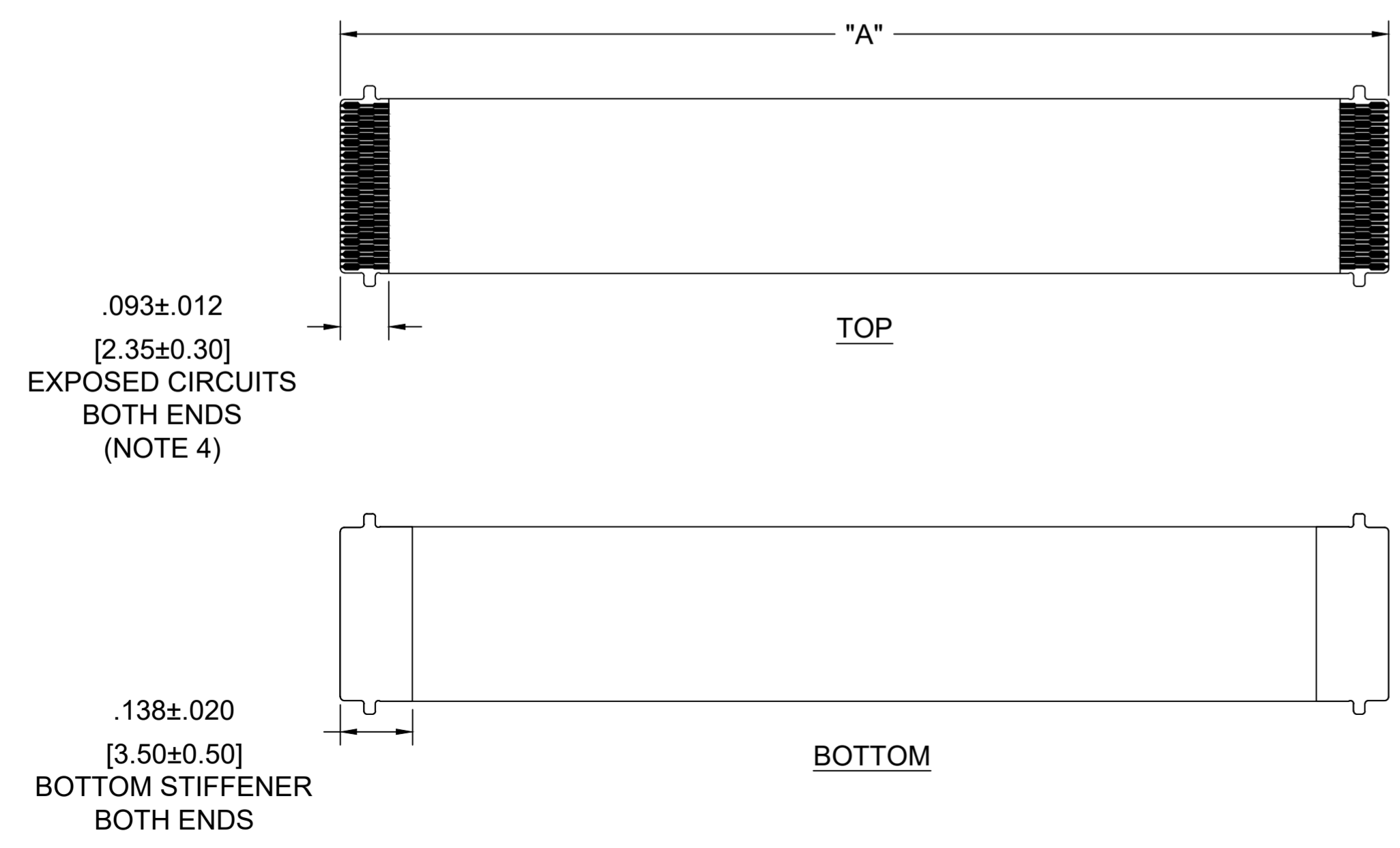
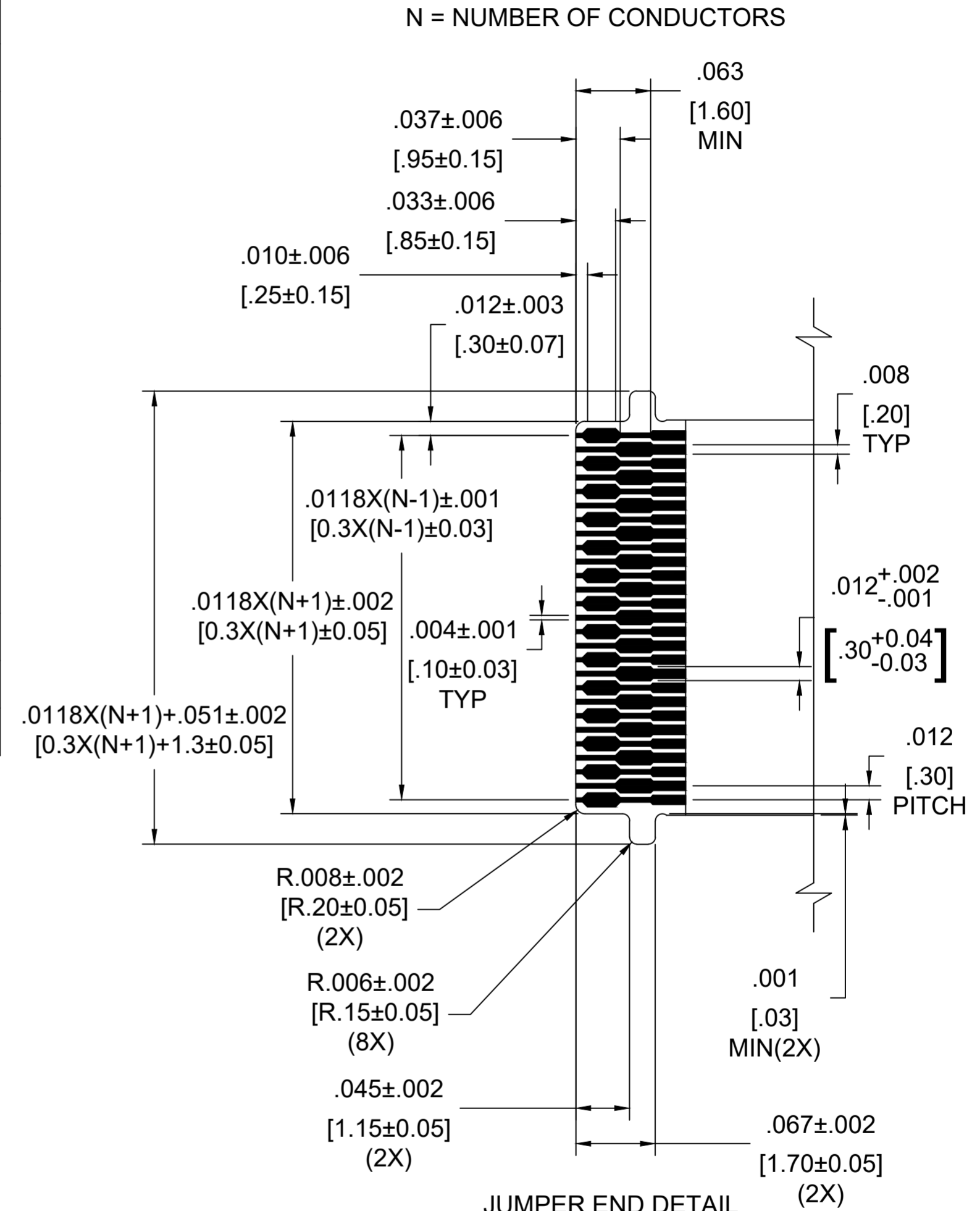


# 0.30MM CENTER FFC JUMPER CABLE CHART

"A" DIM.	2 ± .08 INCHES 51 ± 2 MM	4 ± .16 INCHES 102 ± 4 MM	6 ± .16 INCHES 152 ± 4 MM	8 ± .20 INCHES 203 ± 5 MM	10 ± .20 INCHES 254 ± 5 MM	12 ± .20 INCHES 305 ± 5 MM
CKTS: 9	150320209	150320409	150320609	150320809	150321009	150321209
CKTS: 11	150320211	150320411	150320611	150320811	150321011	150321211
CKTS: 13	150320213	150320413	150320613	150320813	150321013	150321213
CKTS: 15	150320215	150320415	150320615	150320815	150321015	150321215
CKTS: 17	150320217	150320417	150320617	150320817	150321017	150321217
CKTS: 19	150320219	150320419	150320619	150320819	150321019	150321219
CKTS: 21	150320221	150320421	150320621	150320821	150321021	150321221
CKTS: 23	150320223	150320423	150320623	150320823	150321023	150321223
CKTS: 25	150320225	150320425	150320625	150320825	150321025	150321225
CKTS: 27	150320227	150320427	150320627	150320827	150321027	150321227
CKTS: 31	150320231	150320431	150320631	150320831	150321031	150321231
CKTS: 33	150320233	150320433	150320633	150320833	150321033	150321233
CKTS: 35	150320235	150320435	150320635	150320835	150321035	150321235
CKTS: 37	150320237	150320437	150320637	150320837	150321037	150321237
CKTS: 39	150320239	150320439	150320639	150320839	150321039	150321239
CKTS: 41	150320241	150320441	150320641	150320841	150321041	150321241
CKTS: 43	150320243	150320443	150320643	150320843	150321043	150321243
CKTS: 45	150320245	150320445	150320645	150320845	150321045	150321245
CKTS: 51	150320251	150320451	150320651	150320851	150321051	150321251

- NOTES:**
- SUBSTRATE AND COVERLAY MATERIAL IS .001" [25um] POLYIMIDE.
  - CONDUCTOR IS 1/2 OZ (.0007") [18um] COPPER.
  - PLATING IS 2 MICRO INCHES MINIMUM OF HARD GOLD OVER 100 MICRO INCHES MINIMUM OF NICKEL.
  - TAIL ENDS ARE .008±.001 [0.20±0.03] THICK.
  - JUMPER CABLES ARE SUITABLE FOR USE WITH MOLEX 503566 SERIES CONNECTOR.



FUNCTIONAL SYMBOLS	THIS DRAWING CONTAINS INFORMATION THAT IS PROPRIETARY TO MOLEX ELECTRONIC TECHNOLOGIES, LLC AND SHOULD NOT BE USED WITHOUT WRITTEN PERMISSION		CURRENT REV DESC: PRODUCTION RELEASE	
	DIMENSION UNITS	SCALE		
	MM/INCH	4:1		
DIVISIONAL SYMBOLS	GENERAL TOLERANCES (UNLESS SPECIFIED)		EC NO: 701160	
			DRWN: MIMIG	2022/03/28
	4 PLACES	±----	CHK'D: JSMITH11	2022/03/30
	3 PLACES	±----	APPR: JSMITH11	2022/03/30
	2 PLACES	±----	INITIAL REVISION:	
1 PLACE	±----	DRWN: MIMIG	2022/03/28	
0 PLACES	±----	APPR: JSMITH11	2022/03/30	
	ANGULAR TOL ± 1.0 °	THIRD ANGLE PROJECTION	DRAWING	SERIES
	DRAFT WHERE APPLICABLE MUST REMAIN WITHIN DIMENSIONS		C-SIZE	15032
DOCUMENT STATUS	P1	RELEASE DATE	2022/03/30	23:34:45
150320001		PSD	000	A
SEE CHART	GENERAL MARKET	SHEET NUMBER		1 OF 1