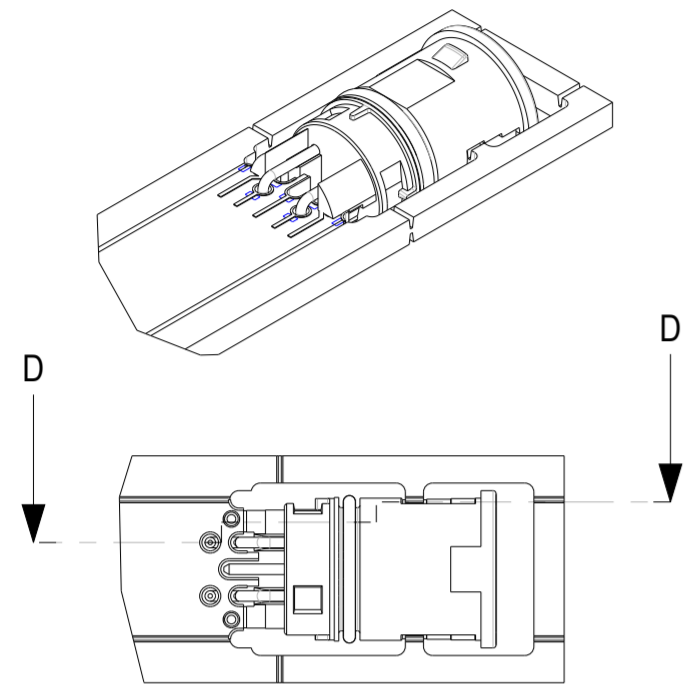


Leiterplatten Optionen / PCB options

Leiterplattendicke 2 mm
Layoutempfehlung siehe 225321

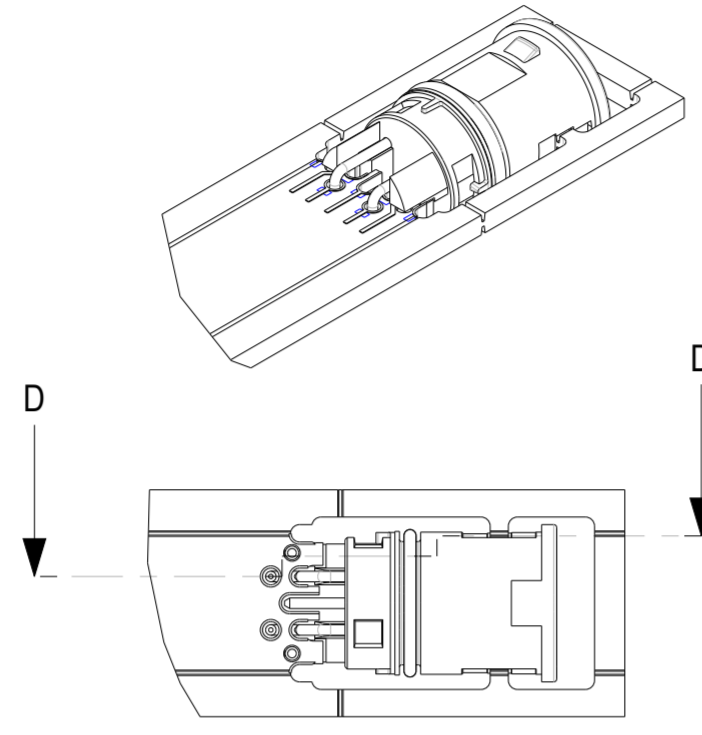
PCB thickness 2 mm
For recommended dims see 225321



SCHNITT D-D
SECTION D-D

Leiterplattendicke 1,6 mm
Layoutempfehlung siehe 225321

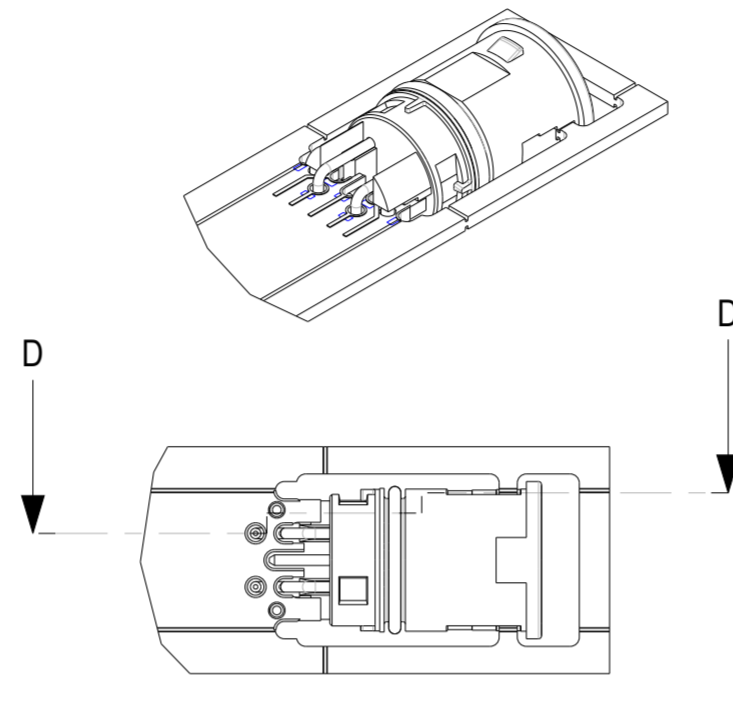
PCB thickness 1,6 mm
For recommended dims see 225321



SCHNITT D-D
SECTION D-D

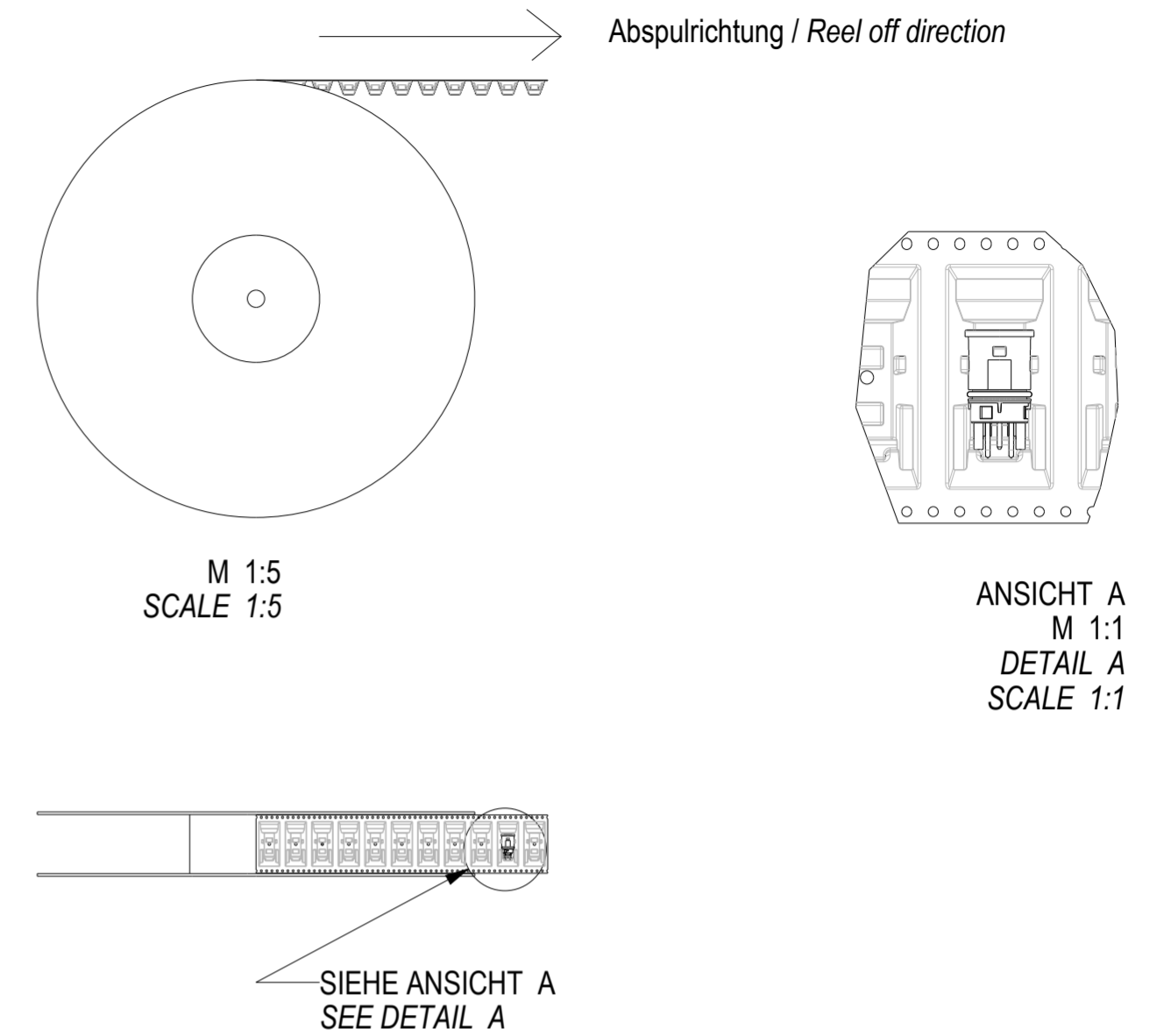
Leiterplattendicke 1 mm
Layoutempfehlung siehe 225321

PCB thickness 1 mm
For recommended dims see 225321

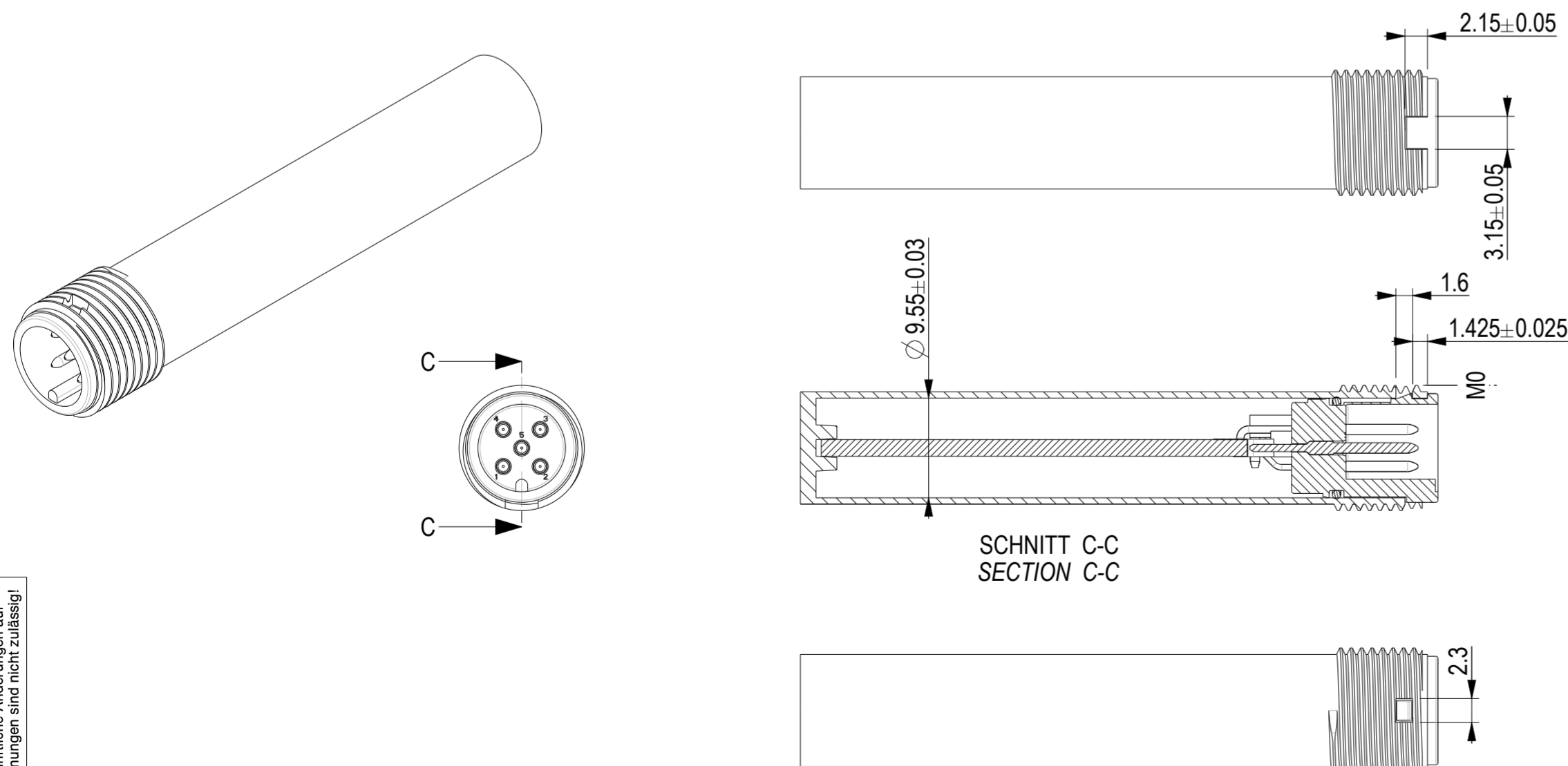


SCHNITT D-D
SECTION D-D

Verpackung / Packaging tape and reel (T&R)



Anwendungsbeispiel / Application example

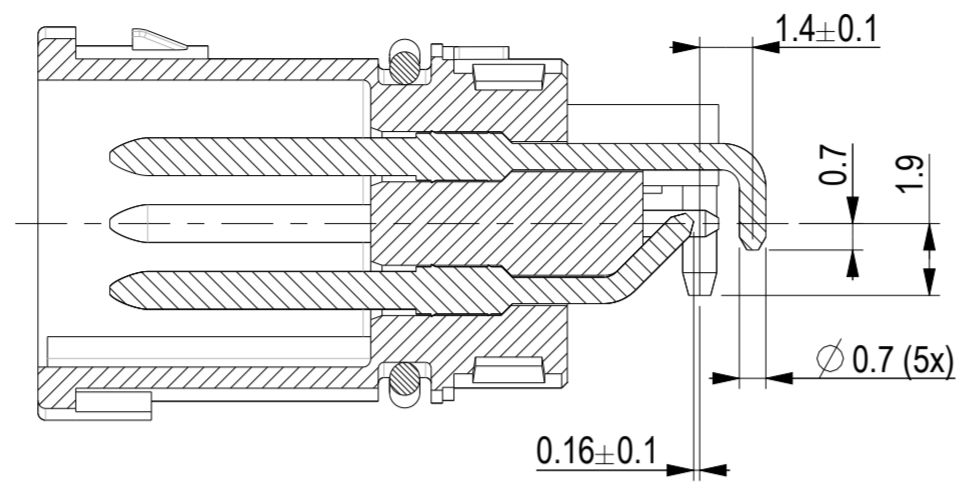


SCHNITT C-C
SECTION C-C

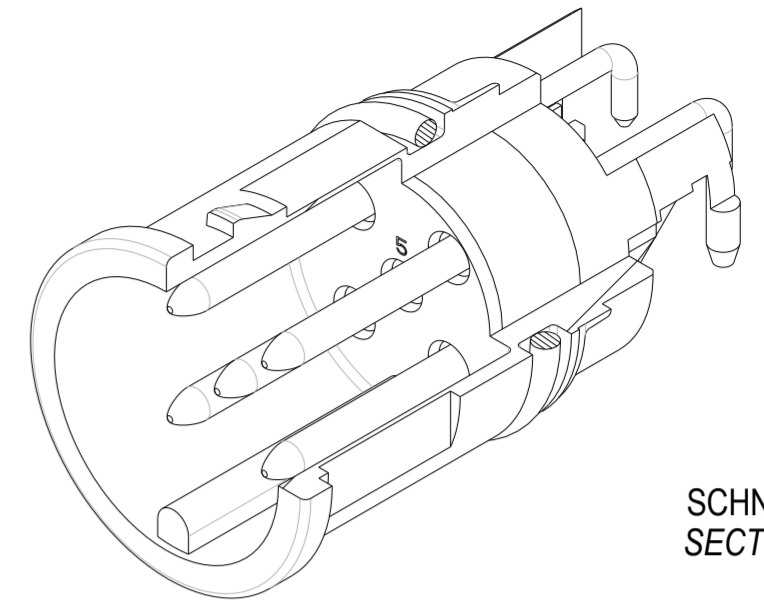
Technische Daten siehe Document 225407
Technical data see document 225407

225459	2	no	yes	5	1,2,3,4,5	T&R	
Ident-Nr. Ident-No.	Zeichn. Blatt Drw. Sheet	Schirm Shield	O-ring O-ring	Polzahl No. pins	Kontakt Nr. Contact No.	Verpackung Packaging	Bemerkung Remarks
Information		Tolerances		Scale 2:1			
All rights reserved. Only for information. To ensure that this is the latest version of this drawing, please contact one of the ERNI companies before using.		Subject to modification without prior notice. Drawing will not be updated.		Designation alle Varianten / all versions			
ERNI www.ERNI.com				M12 90° M A THR Frontmontage snap in M12 90° M A THR front mount snap in			
Index		Date		225459		I (1 / 2) A2	
				Class		M12	

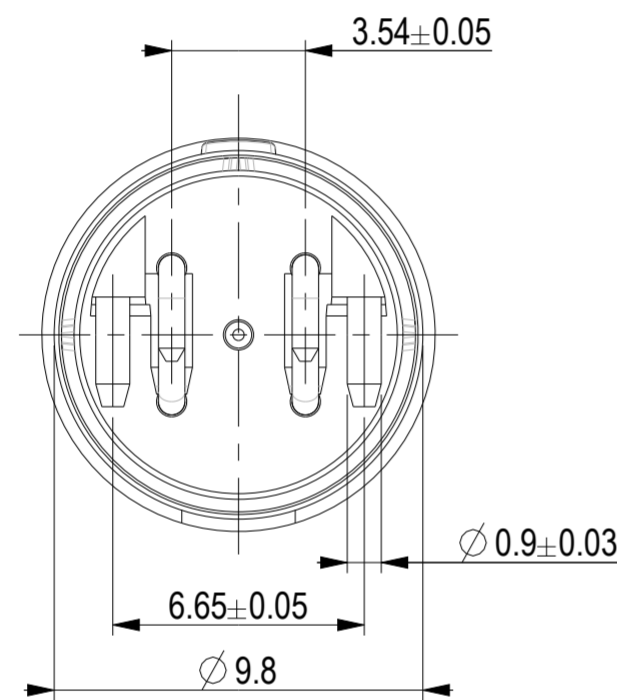
Ident-Nr. Ident-No.	O-ring O-ring	Schirm Shield
td	yes	yes
225459	yes	no
td	no	no
td	no	yes



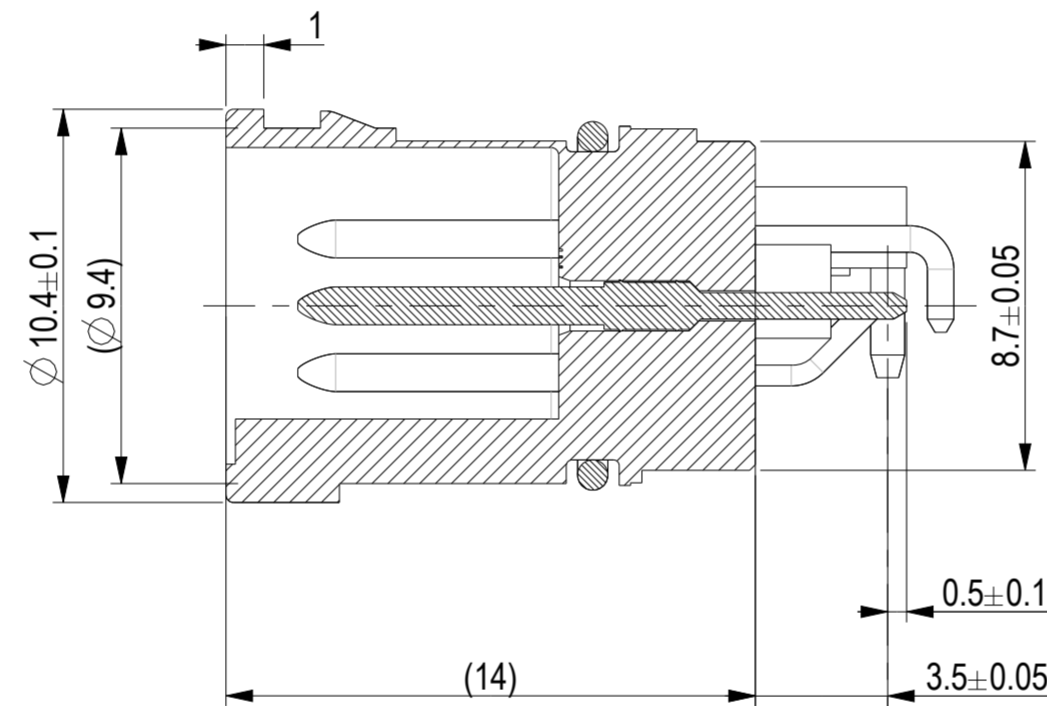
SCHNITT E-E
SECTION E-E



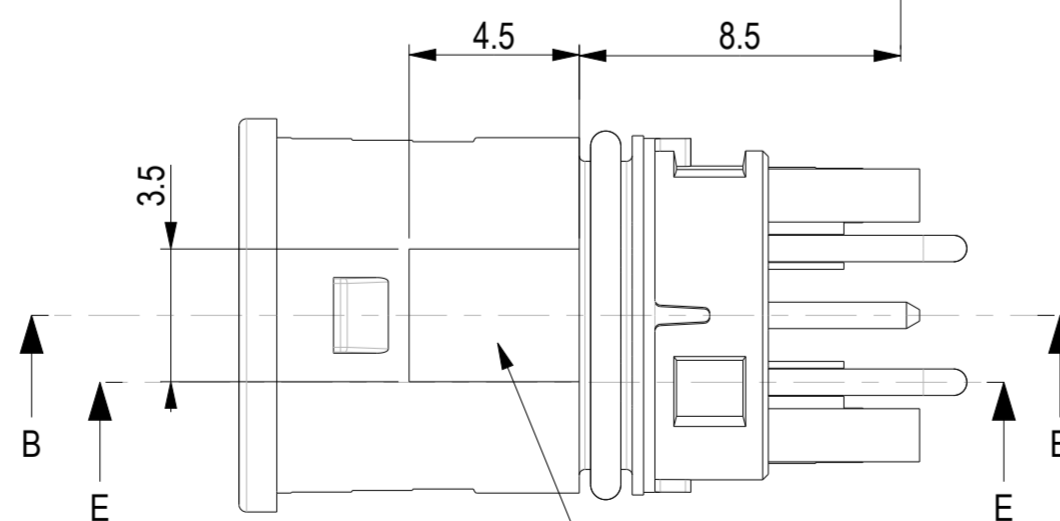
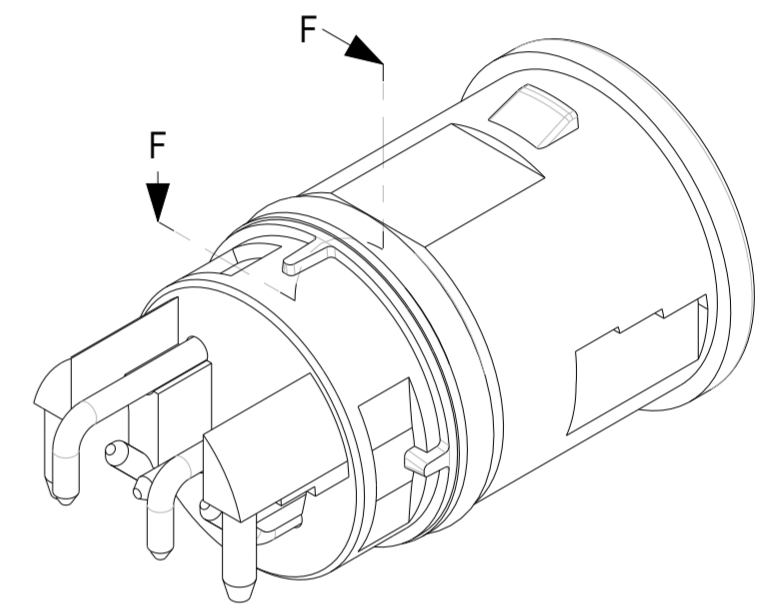
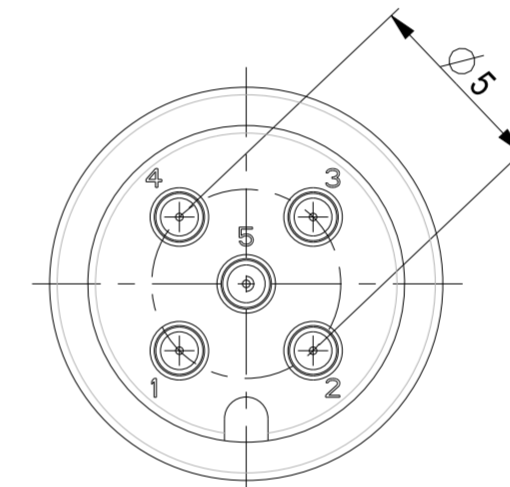
SCHNITT F-F
SECTION F-F



Gemessen über Schirmkontakte
Measured over shield contacts



SCHNITT B-B
SECTION B-B



Ansaugfläche
Pick & place area

Layoutempfehlung siehe 225321
Recommended pcb layout see 225321

Steckgesicht nach IEC 61076-2-101
Mating face acc. IEC 61076-2-101

Information All rights reserved. Only for information. To ensure that this is the latest version of this drawing, please contact one of the ERNI companies before using.	Tolerances All Dimensions in mm	Scale 5:1	
		Designation 5 polige Version / 5 pin version	
www.ERNI.com Index Date	M12 90° M A THR Frontmontage snap in M12 90° M A THR front mount snap in		1 (2 / 2) A2
	225459		Class M12