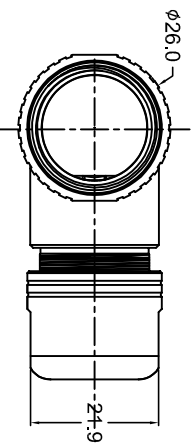
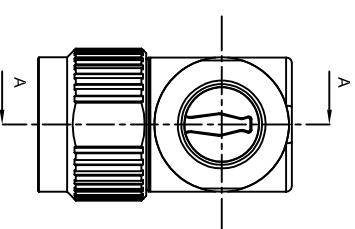
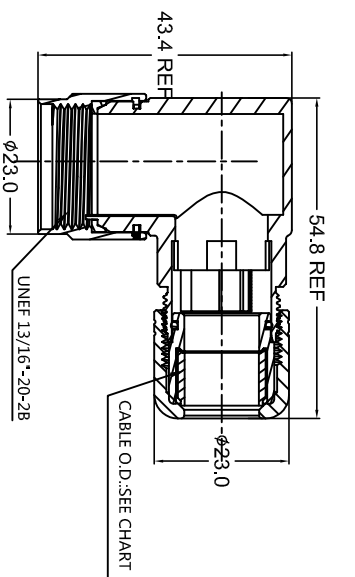


REVISIONS				
REV	ECO	DESCRIPTION	DATE	BY APPR
A1	-	RELEASED DRAWING	2017-6-29	FLAN TOMMY



P/N	CABLE O.D.
RT0B-14CG-NS1-*	φ6.5-φ10.0mm
RT0B-14CG-NS2-*	φ9.0-φ12.5mm

- NOTES : (UNLESS OTHERWISE SPECIFIED)
- MATERIAL :
 - 1.1. NUT : ZINC ALLOY.
 - 1.2. BACK SHELL : ZINC ALLOY.
 - 1.3. O-RING: SILICONE RUBBER.
 - 1.4. CABLE SEAL : EPDM.
 - 1.5. EMI SHIELDING RING : STAINLESS STEEL.
 - 1.6 CLAMP INSERT : THERMOPLASTIC UL94 V-0.
 - ROHS COMPLIANT.
 - ALL DIMENSIONS ARE FOR REFERENCE USE ONLY.
 - SHELL FINISHED:

P/N	** * *	SHELL FINISHED
	OMIT	PLATED NICKLE
RT0B-14CG-NS*-*	Z	BLACK ZINC
	G	GREEN ZINC

QUANTITY	PART NUMBER	DESCRIPTION	ITEM

MATERIALS LIST			
SIGNATURES	DATE	SIZE	TYPE
DRAWN: Hm	2017-6-29	B	C-
CHECKED: Iod	2017-6-29	RT0B-14CG-NS*-*	
ENGINEER:		A1	
APPROVAL: Tommy	2017-6-29	90 ANGLE CORD GRIP SIZE 14	
CUSTOMER:		Sine Systems - www.amphenol-sine.com	
		44724 Morley Drive	
		Clinton Township, MI 48036	

UNLESS OTHERWISE SPECIFIED			
1) All dimensions are in millimeters.			
2) Tolerances are as follows:			
1 Pt. DEC 0.30	Fractions 1/16"		
3 Pt. DEC 0.08	Angles 1°		
3) Note reference =			
MATERIAL SPECIFICATIONS:			
PROCESS SPECIFICATIONS:			
NEXT ASSY:			

Amphenol

Sine Systems - www.amphenol-sine.com

44724 Morley Drive
Clinton Township, MI 48036

90 ANGLE CORD GRIP SIZE 14

SCALE: NONE SHEET 1 OF 1

TITLE:

DWG NO.: 90 ANGLE CORD GRIP SIZE 14

REV: A1

REV: A1

SH: 1

OF: 1