

NOTES:

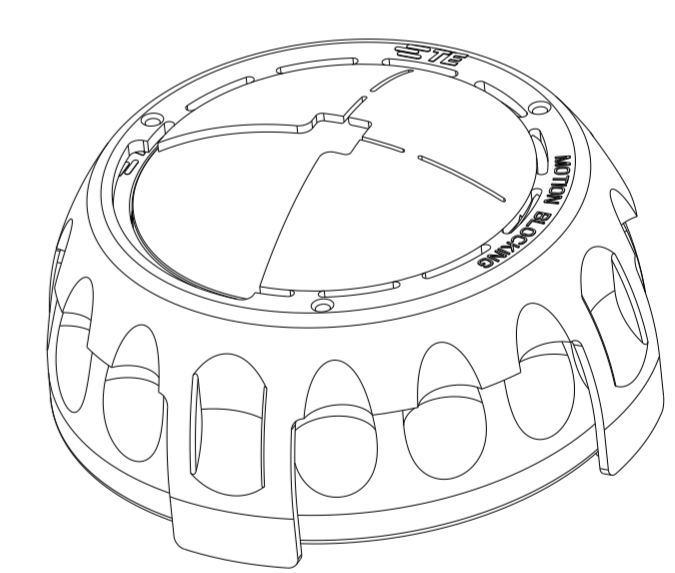
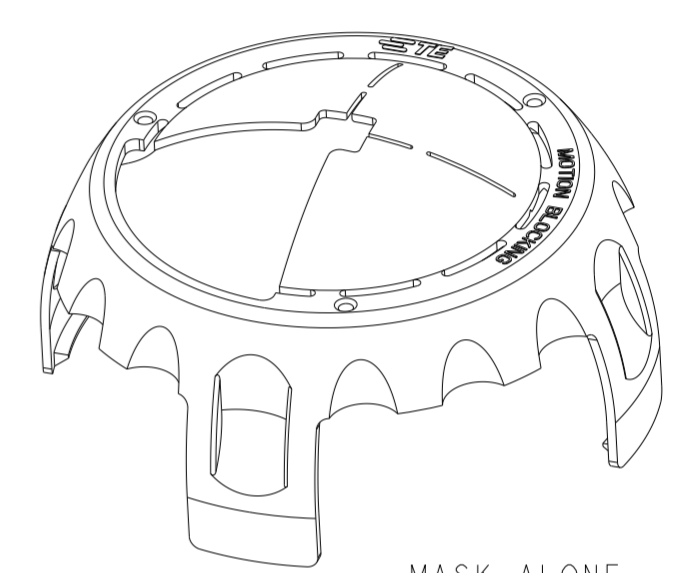
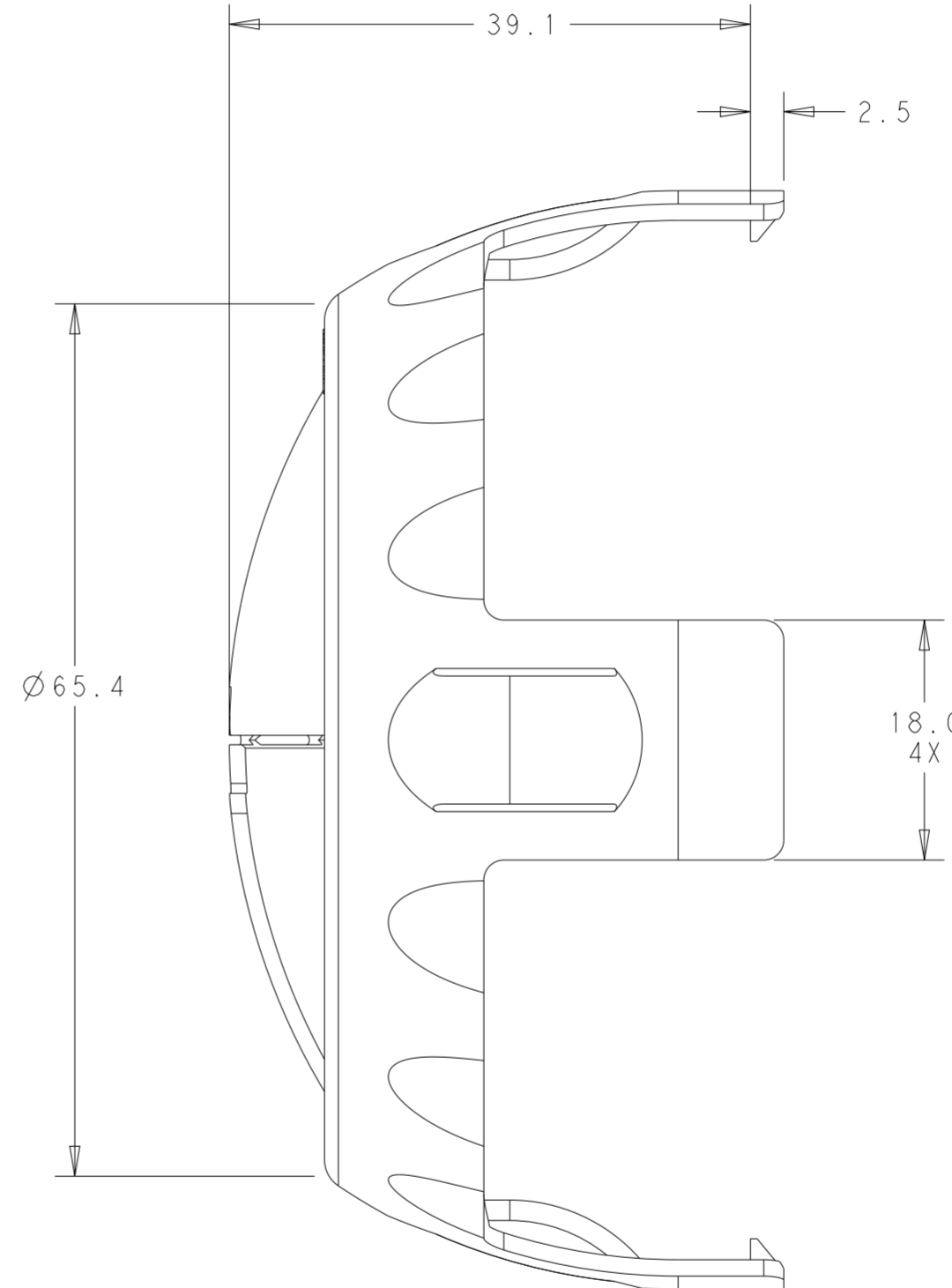
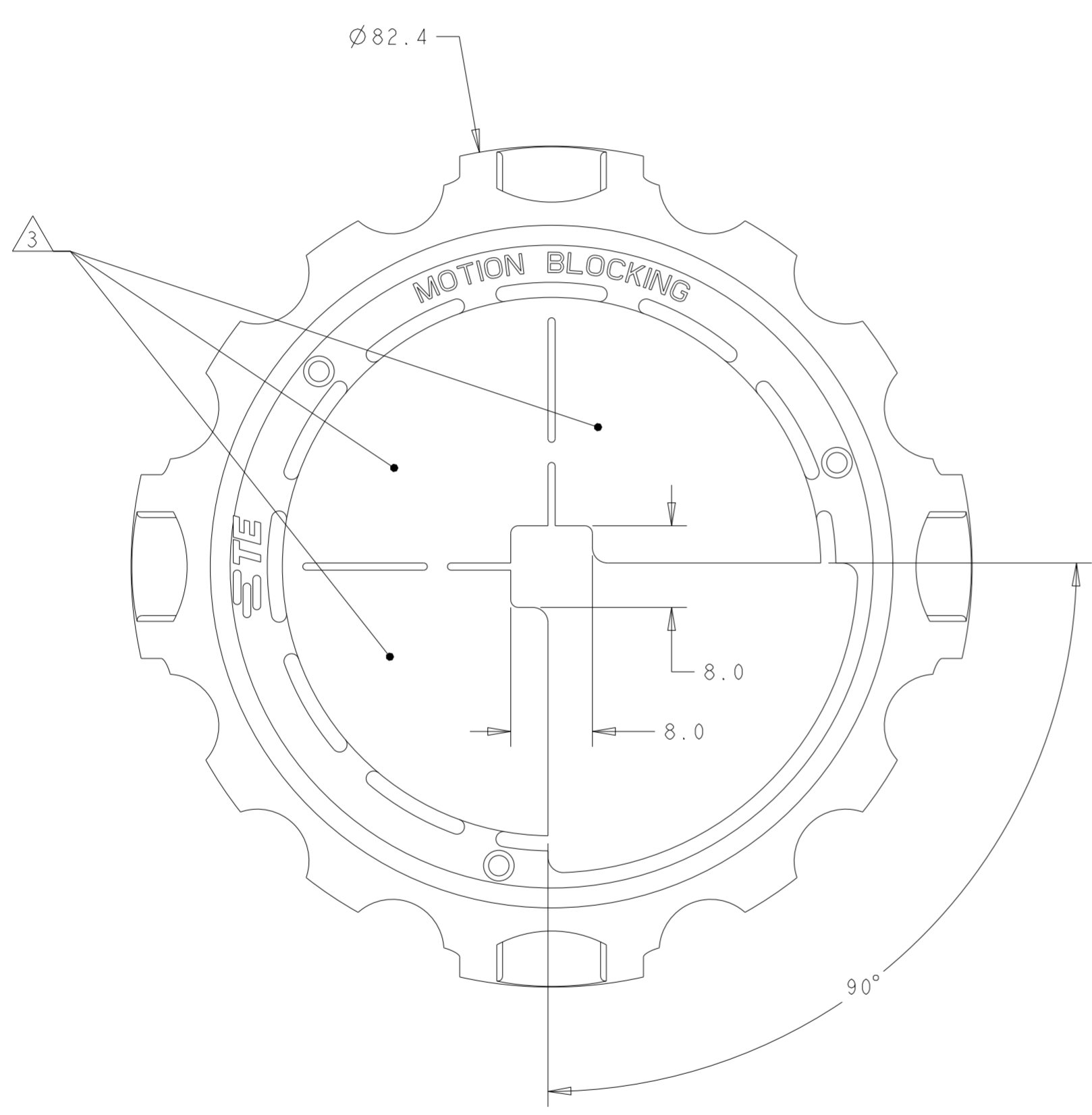
1 MATERIALS:  
HOUSING: POLYCARBONATE, UL 94V-0 RATED  
COLOR: SEE TABLE

2 TO BE USED WITH TE MOTION SENSOR P/N: 2388426-X.

3 QUADRANTS DESIGNED TO BE REMOVED PER DESIRED DETECTION ZONE

REVISIONS

P	LTR	DESCRIPTION	DATE	DWN	APVD
1		PROPOSED	02FEB2022	CD	CD
A		RELEASE TO PRODUCTION	05MAY2022	SD	CD



CLEAR	2396399-1
COLOR	PART NO.

THIS DRAWING IS A CONTROLLED DOCUMENT.		DWN C DAILY 02FEB2022	<b>STE</b> TE Connectivity		
		CHK C DAILY 02FEB2022			
DIMENSIONS: mm	TOLERANCES UNLESS OTHERWISE SPECIFIED:	APVD -	NAME MASK, MOTION STREETLIGHT SENSOR	RESTRICTED TO	
	0 PLC ± 1 PLC ±0.2 2 PLC ±0.13 3 PLC ± 4 PLC ±	PRODUCT SPEC 108-160457	SIZE A2	CAGE CODE -	DRAWING NO. C-2396399
MATERIAL 1	FINISH -	APPLICATION SPEC 114-160247	SCALE 1:1	SHEET 1 OF 1	REV A
		WEIGHT -	CUSTOMER DRAWING		