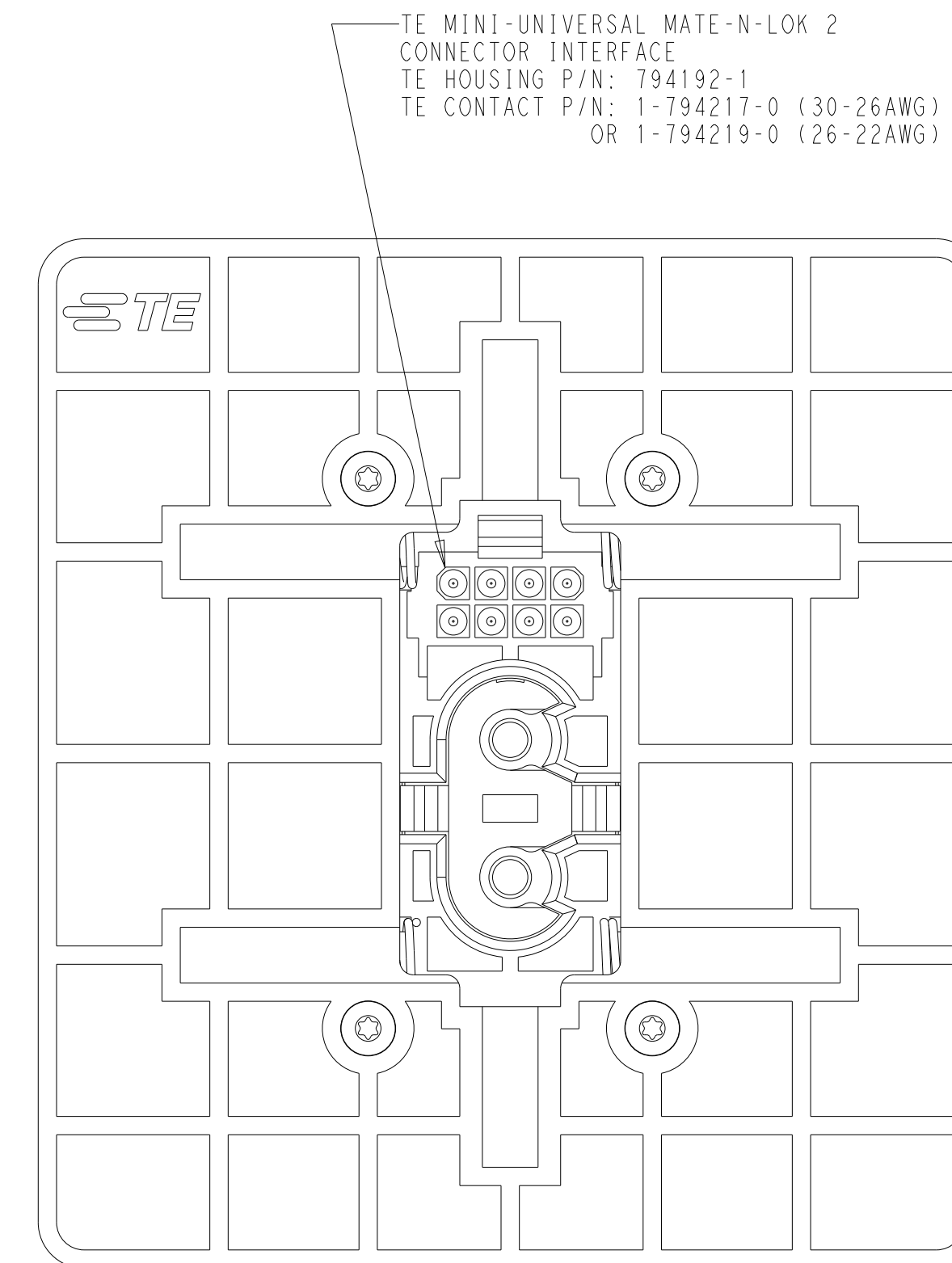
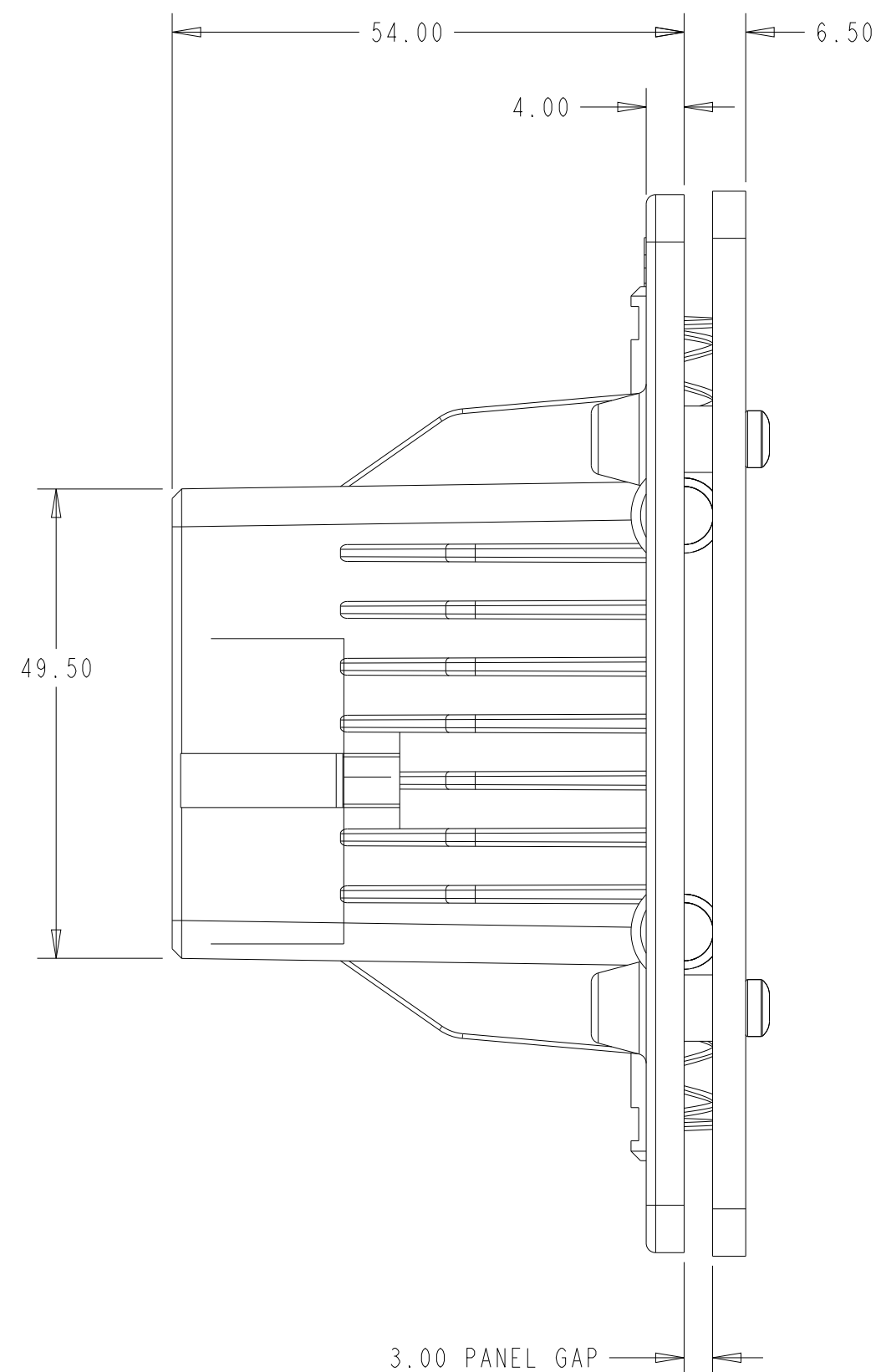
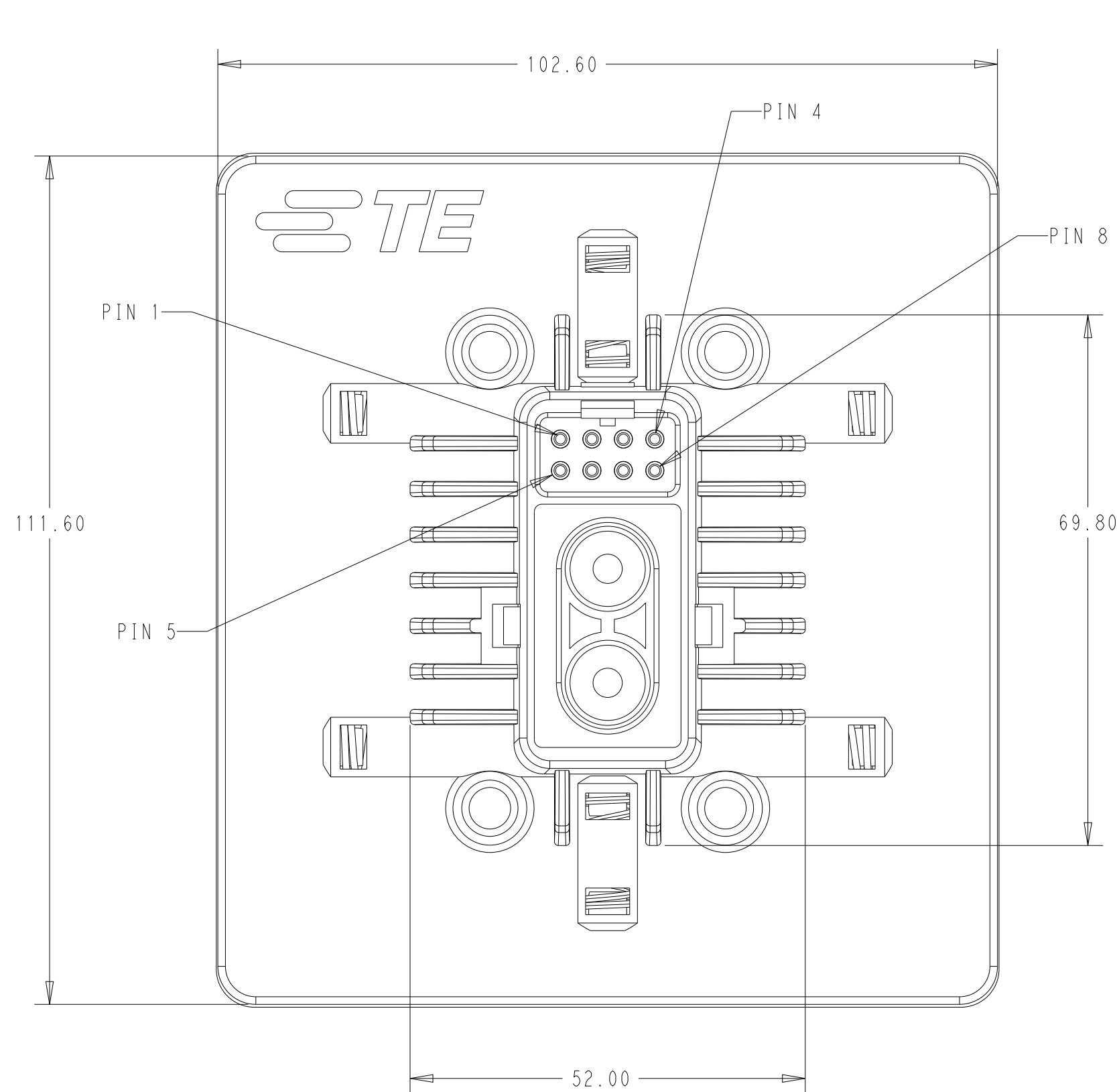


REVISIONS				
P	LTR	DESCRIPTION	DATE	APVD
	A	INITIAL RELEASE	07SEP2022	SD CD

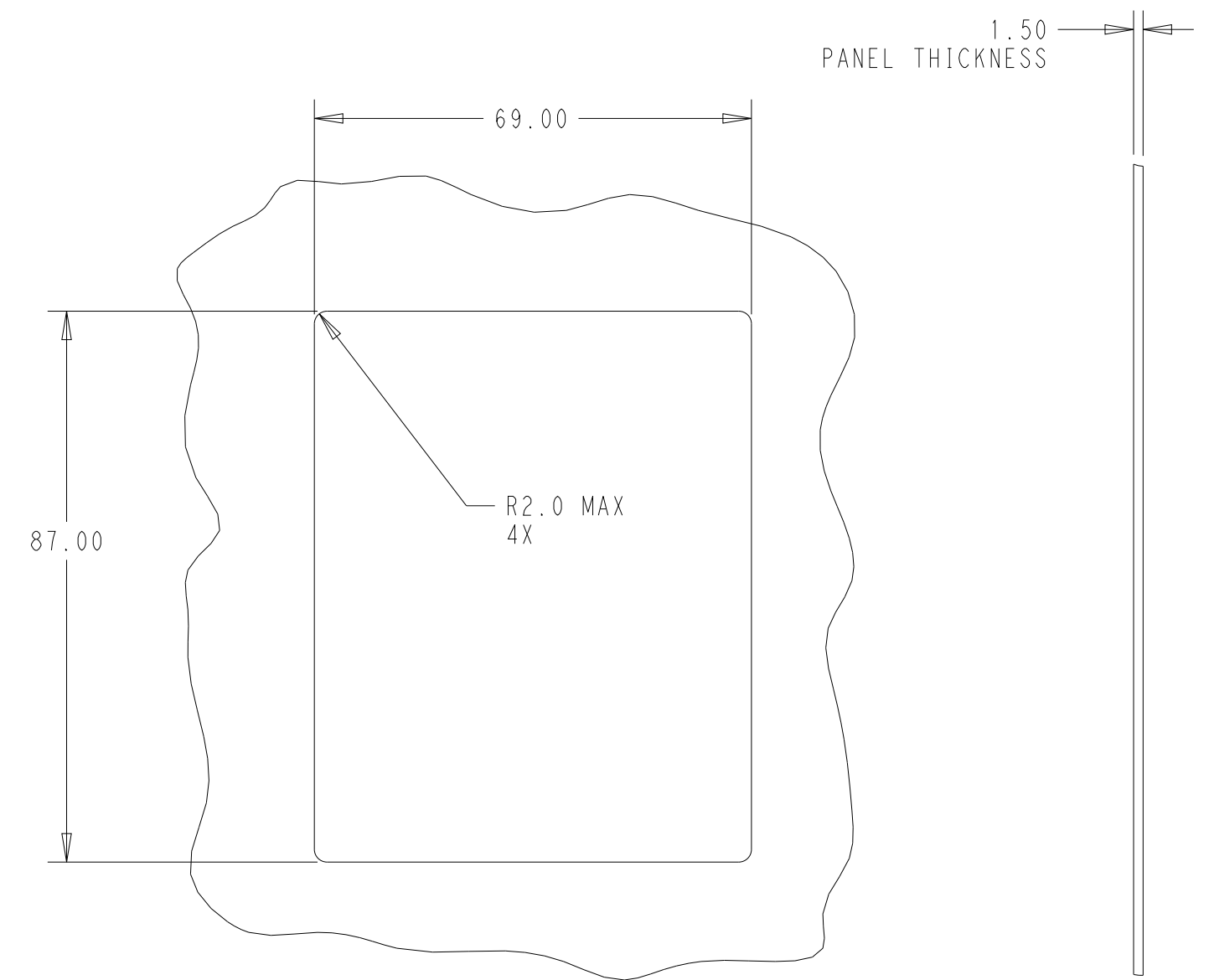
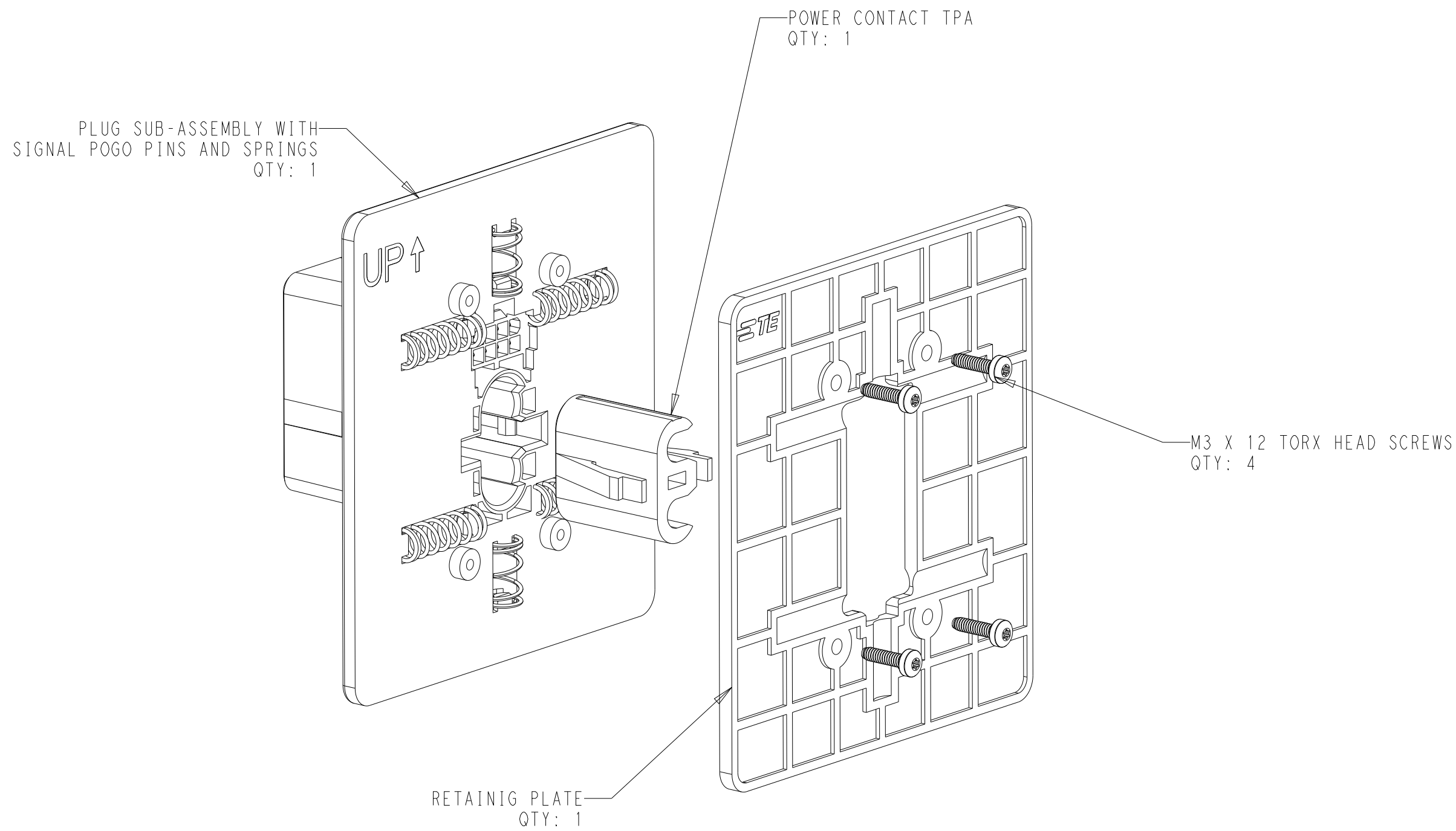
- 1 MATERIALS AND FINISH:
 -HOUSING: PBT; FLAMMABILITY: UL94 V-0, COLOR: BLACK
 -SIGNAL CONTACTS: COPPER ALLOY, FINISH: Au OVER Ni
 -SPRINGS: STEEL
 -SCREWS: STEEL
2. ALL MATERIALS MUST COMPLY WITH DIRECTIVE 2011/65/EU AND ITS AMENDMENTS (ROHS).
3. ALL MATERIALS MUST COMPLY WITH REGULATION (EC) NO 1907/2006 (REACH).
4. THIS PRODUCT HAS NOT COMPLETED VALIDATION TESTING.
- 5 MATES WITH AMR BOT KIT ASSEMBLY, P/N: 2399991-1
6. RETAINER PLATE AND MOUNTING SCREWS NOT TO BE ASSEMBLED TO CONNECTOR SUB-ASSEMBLY.
7. POWER PIN CONTACT (PURCHASED SEPARATELY) P/N: 2390329-1 REF



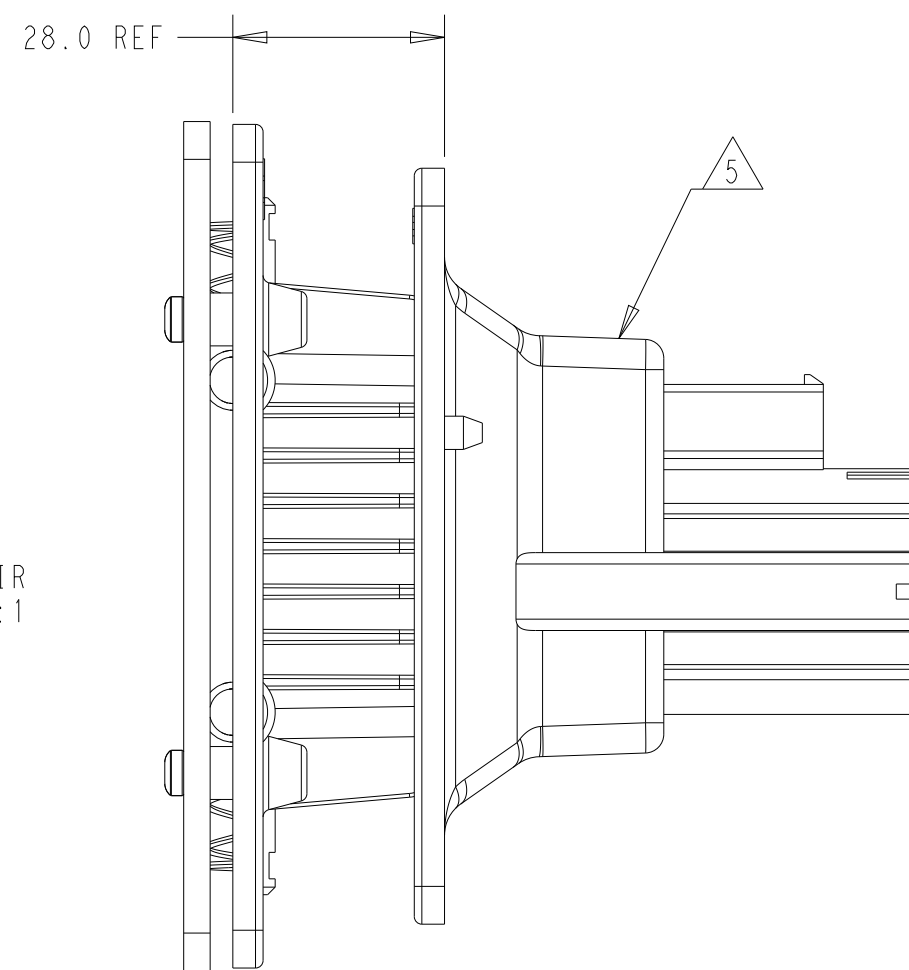
2399992-1
 PART NO.

THIS DRAWING IS A CONTROLLED DOCUMENT.		DWN C DAILY 08SEP2021	STE TE Connectivity	
		CHK C DAILY 08SEP2021		
DIMENSIONS: mm		APVD -		NAME KIT ASSEMBLY, PLUG DOCKING, CHARGER AMR CHARGING CONNECTOR
TOLERANCES UNLESS OTHERWISE SPECIFIED: 0 PLC ± 1 PLC ±0.2 2 PLC ±0.13 3 PLC ± 4 PLC ± ANGLES ±2° FINISH		PRODUCT SPEC 108-160493		
MATERIAL		APPLICATION SPEC 114-160271		SIZE A2
1		WEIGHT -		CAGE CODE 00779
		CUSTOMER DRAWING		DRAWING NO C-2399992
		SCALE 3:2		RESTRICTED TO -
		SHEET 1 OF 2		REV A

P	LTR	DESCRIPTION	DATE	DWN	APVD
-	-	SEE SHEET 1	-	-	-



RECOMMENDED PANEL CUTOUT
SCALE 1:1



MATED PAIR
SCALE 1:1

THIS DRAWING IS A CONTROLLED DOCUMENT.		DWN C DAILY 08SEP2021	STE TE Connectivity	
		CHK C DAILY 08SEP2021		
DIMENSIONS: mm		APVD -	NAME KIT ASSEMBLY, PLUG DOCKING, CHARGER AMR CHARGING CONNECTOR	
TOLERANCES UNLESS OTHERWISE SPECIFIED:		PRODUCT SPEC 108-160493	SIZE A2	
0 PLC ±		APPLICATION SPEC 114-160271	CAGE CODE 00779	DRAWING NO C-2399992
1 PLC ±0.2		WEIGHT -	RESTRICTED TO -	
2 PLC ±0.13		CUSTOMER DRAWING	SCALE 1:1	SHEET 2 OF 2
3 PLC ±				REV A
4 PLC ±				
ANGLES ±2°				
FINISH				