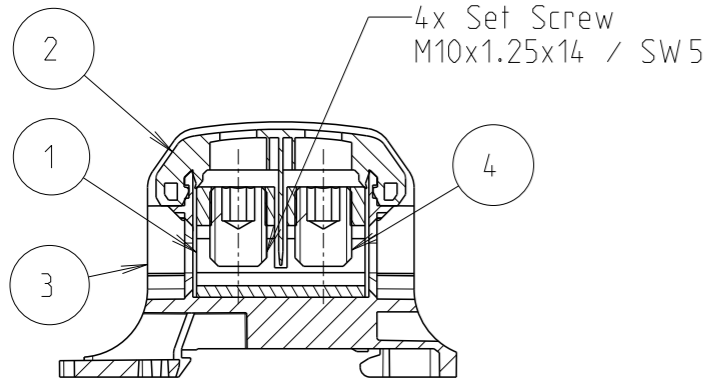
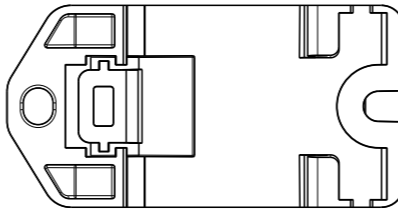
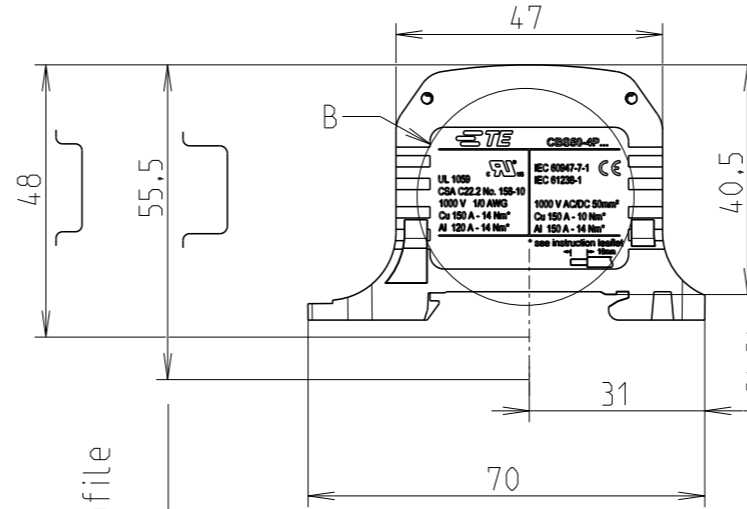
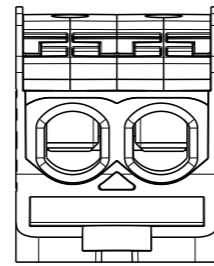


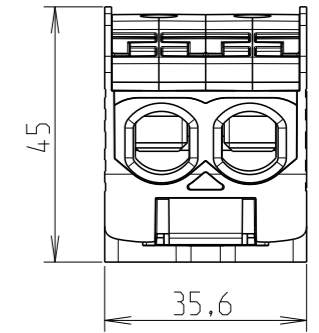
P	LTR	DESCRIPTION	DATE	DWN	APVD
A		INITIAL REVISION	02FEB2022	PS	SB



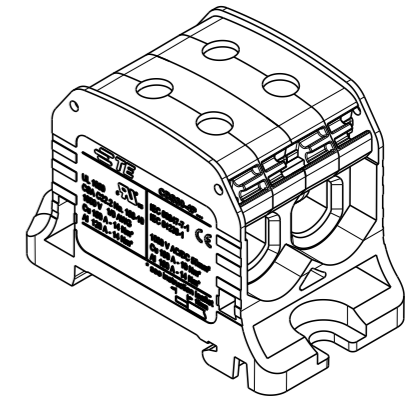
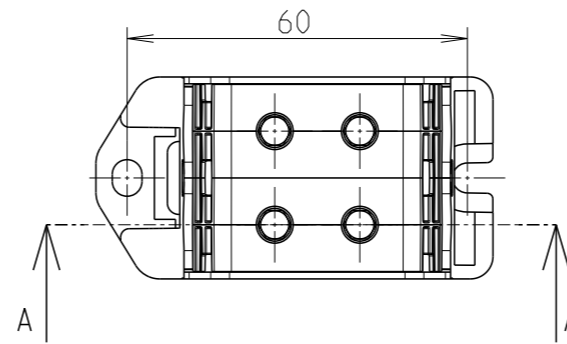
SECTION A-A



axe du profile
axis of profile



hauteur hors tout sur profile
overall height on profile



STE CBS50-4P...

UL 1059 CSA C22.2 No. 158-10 1000 V 1/0 AWG Cu 150 A - 14 Nm* Al 120 A - 14 Nm*	IEC 60947-7-1 IEC 61238-1 1000 V AC/DC 50mm ² Cu 150 A - 10 Nm* Al 150 A - 14 Nm*
---	--

* see instruction leaflet

16mm

B(7:2)

1SNF516111R0000
PART NO.

RPT	QTY	DOC TITLE	DESCRIPTION	ITEM NUMBER	COMMENTS
4	4	SET_SCREW_M10X14	SET_SCREW_M10X14	-	
3	1	HOUSING_CBS50_4P	HOUSING_CBS50_4P	-	
2	2	COVER_CBS50_2P_GRAY	COVER_CBS50_2P_GRAY	-	
1	1	ALUMINUM_BLOCK_CBS50_4P	ALUMINUM_BLOCK_CBS50_4P	-	

THIS DRAWING IS A CONTROLLED DOCUMENT.

DWN 2022-02-02 Pavan, Singh

CHK 2022-02-02 Pavan, Singh

APVD 2022-02-02 Saurabh, Bisht

STE TE Connectivity

NAME CBS50-4P-GRAY

DIMENSIONS:	TOLERANCES UNLESS OTHERWISE SPECIFIED:	APPLICATION SPEC	WEIGHT	SIZE	CAGE CODE	DRAWING NO	RESTRICTED TO
mm	0 PLC ± 1 PLC ±1 2 PLC ±1 3 PLC ±1 4 PLC ±1 ANGLES ±	-	-	A3	00779	1SNP300333-0100	-
MATERIAL	FINISH	CUSTOMER DRAWING		SCALE	SHEET	REV	
-	-			3:4	1 OF 1	A	