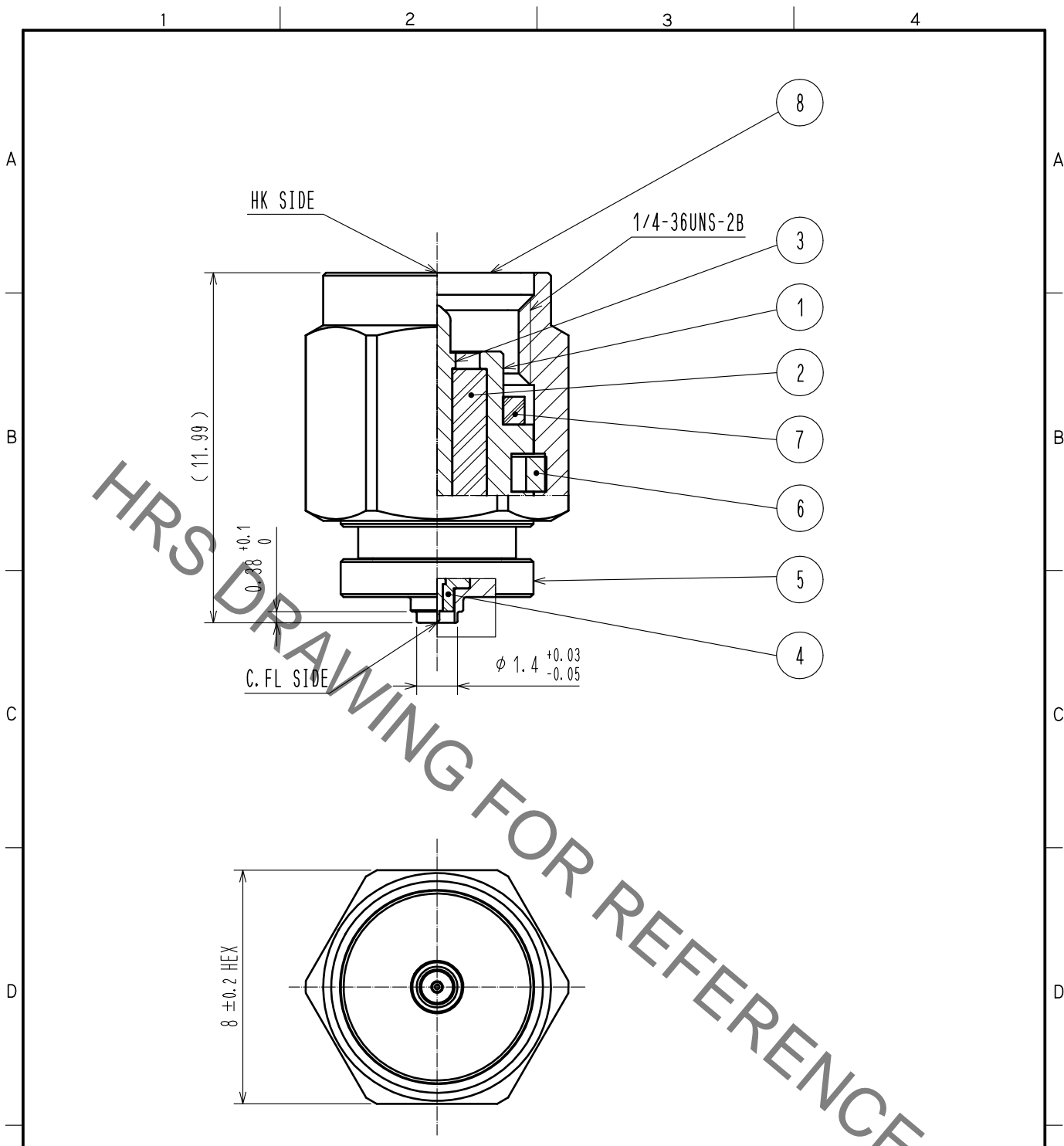


Nov.1.2022 Copyright 2022 HIROSE ELECTRIC CO., LTD. All Rights Reserved.  
In case of consideration for using Automotive equipment / device which demand high reliability, kindly contact our sales window correspondents.



NOTE: 2.92mm male to C. FL Receptacle Adapter.  
Since this adapter has no lock structure on the mating part of the C. FL side,  
please use only for electrical measurement.

RoHS COMPLIANT

4	PTFE		8	STAINLESS STEEL	PASSIVATE
3	PHOSPHOR BRONZE	GOLD PLATING	7	SILICONE RUBBER	(RED)
2	PTFE		6	BERYLLIUM COPPER	NICKEL PLATING
1	STAINLESS STEEL	PASSIVATE	5	STAINLESS STEEL	NICKEL PLATING
NO.	MATERIAL	FINISH . REMARKS	NO.	MATERIAL	FINISH . REMARKS

UNITS mm		SCALE 5 : 1	COUNT 	DESCRIPTION OF REVISIONS	DESIGNED	CHECKED	DATE
HIROSE ELECTRIC CO., LTD.				APPROVED : KH. IKEDA	18. 03. 07	DRAWING NO. EDC-381042-00-00	
				CHECKED : MH. TSUCHIDA	18. 03. 06	PART NO. C. FLJ-HKP	
				DESIGNED : YJ. HAGA	18. 03. 06	CODE NO. CL311-0023-0-00	
				DRAWN : YJ. HAGA	18. 03. 06	1/1	