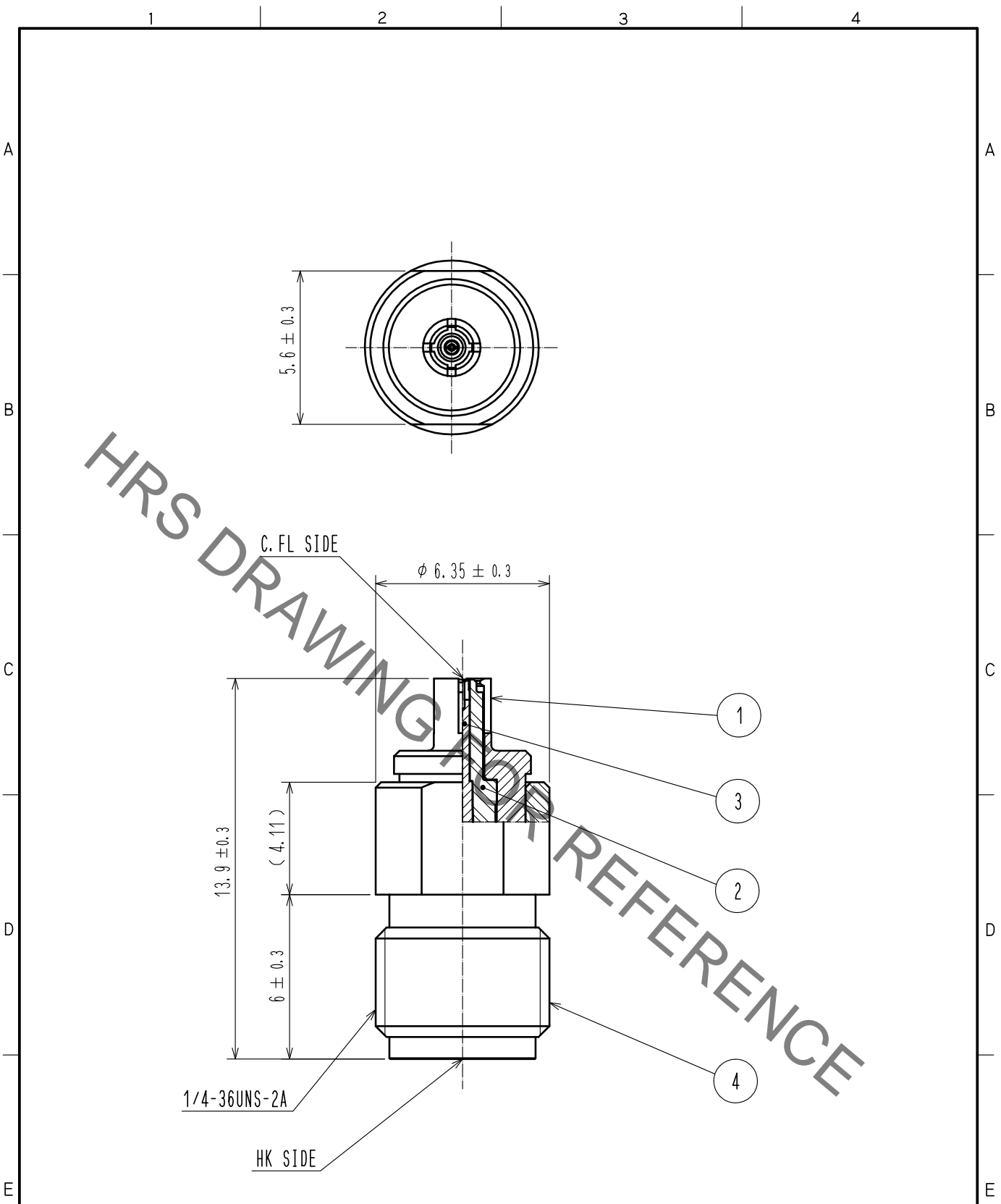


Nov.1.2022 Copyright 2022 HIROSE ELECTRIC CO., LTD. All Rights Reserved.  
In case of consideration for using Automotive equipment / device which demand high reliability, kindly contact our sales window correspondents.



RoHS COMPLIANT

NOTE: 2.92mm female to C.FL Plug Adapter

2	PTFE		4	STAINLESS STEEL	PASSIVATE		
1	BERYLLIUM COPPER	NICKEL PLATING	3	BERYLLIUM COPPER	GOLD PLATING		
NO.	MATERIAL	FINISH . REMARKS	NO.	MATERIAL	FINISH . REMARKS		
UNITS mm		SCALE 5 : 1	COUNT 	DESCRIPTION OF REVISIONS	DESIGNED	CHECKED	DATE
<b>HRS</b> HIROSE ELECTRIC CO., LTD.	APPROVED	: KH. IKEDA	18.03.07	DRAWING NO.	EDC-381043-00-00		
	CHECKED	: MH. TSUCHIDA	18.03.06	PART NO.	C. FLP-HKJ		
	DESIGNED	: YJ. HAGA	18.03.06	CODE NO.	CL311-0024-0-00		
	DRAWN	: YJ. HAGA	18.03.06		1/1		