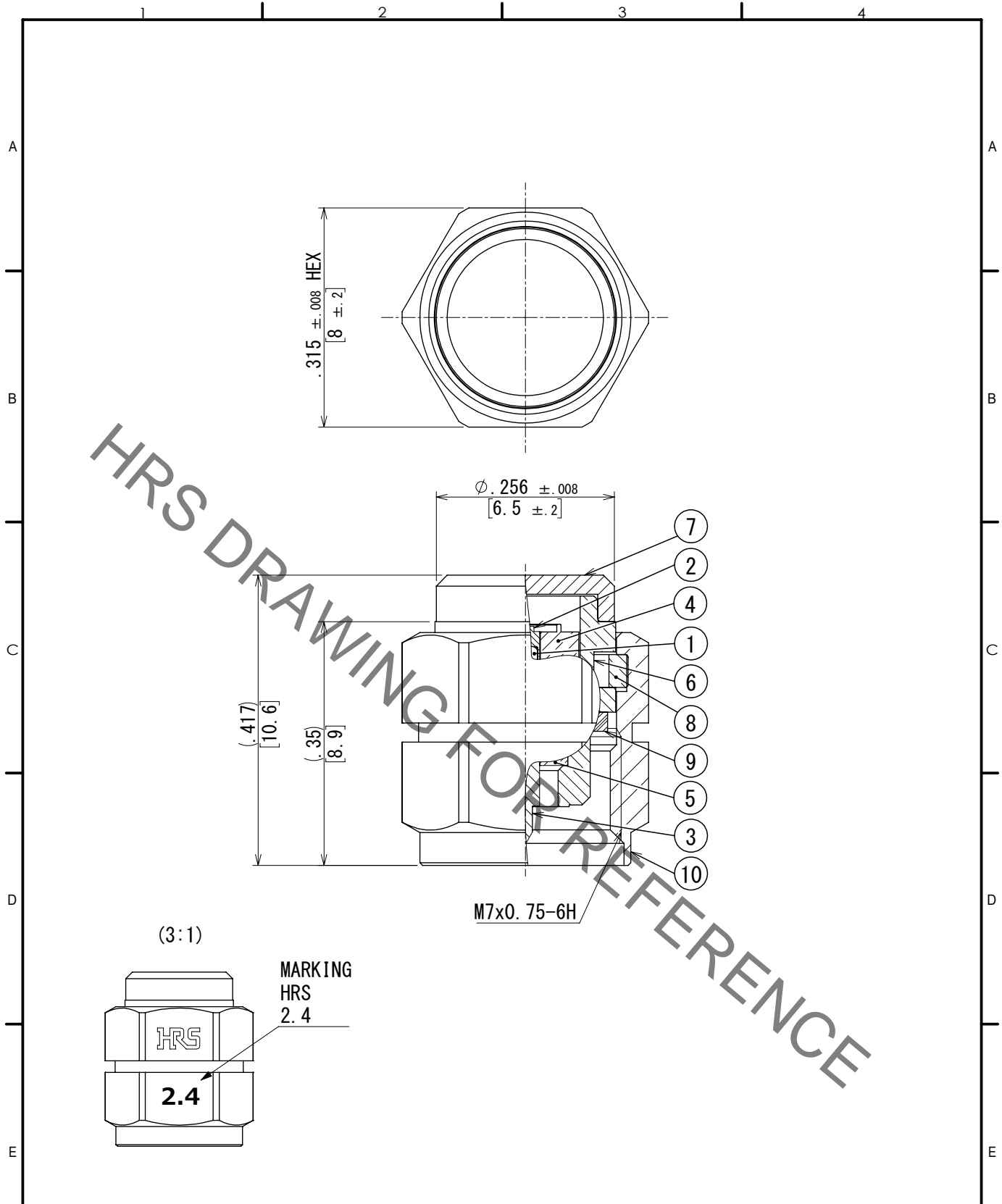


Nov.1.2022 Copyright 2022 HIROSE ELECTRIC CO., LTD. All Rights Reserved.
 In case of consideration for using Automotive equipment / device which demand high reliability, kindly contact our sales window correspondents.



5	PTFE		10	STAINLESS STEEL	PASSIVATE		
4	BRASS	GOLD PLATING	9	SILICONE RUBBER			
3	BRASS	GOLD PLATING	8	BERYLLIUM COPPER	NICKEL PLATING		
2	BRASS	GOLD PLATING	7	BRASS	NICKEL PLATING		
1	RESISTOR	50 OHMS	6	STAINLESS STEEL	PASSIVATE		
NO.	MATERIAL	FINISH	REMARKS	NO.	MATERIAL	FINISH	REMARKS

UNITS inch / mm 	SCALE 5:1 	COUNT 	DESCRIPTION OF REVISIONS		DESIGNED	CHECKED	DATE
			APPROVED : TS. NAKAGAWA 2021.06.01		DRAWING NO. EDC-393908-00-00		
HIROSE ELECTRIC CO., LTD.		CHECKED : AH. MARUYAMA 2021.06.01		PART NO. H2. 4-TMP			
		DESIGNED : TS. KANEKO 2021.06.01		CODE NO. CL0353-0174-0-00		1/1	
DRAWN : TS. KANEKO 2021.06.01							