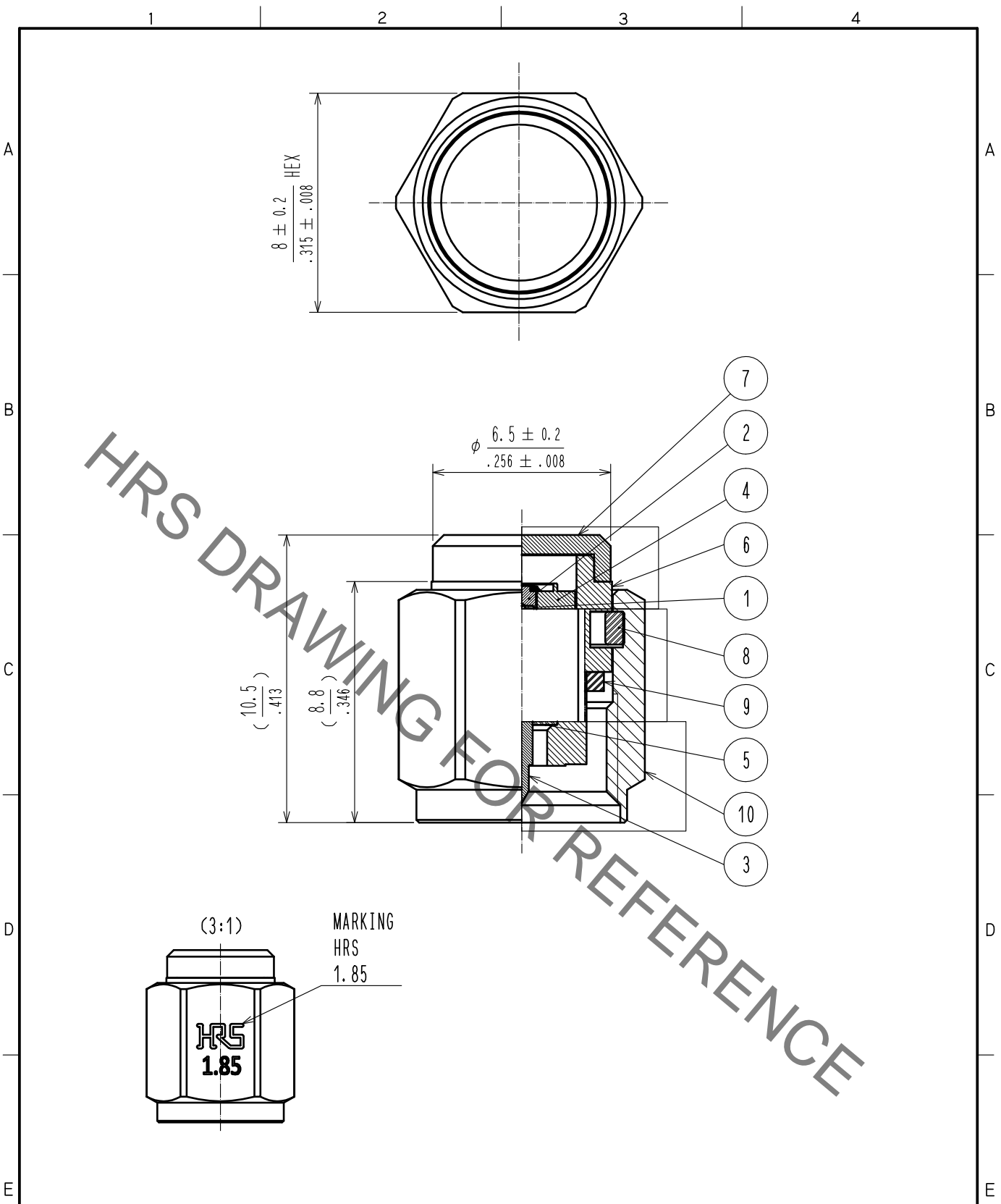


Dec.1.2022 Copyright 2022 HIROSE ELECTRIC CO., LTD. All Rights Reserved. In case of consideration for using Automotive equipment / device which demand high reliability, kindly contact our sales window correspondents.



5	PTFE		10	STAINLESS STEEL	PASSIVATE		
4	BRASS	GOLD PLATING	9	SILICONE RUBBER			
3	BRASS	GOLD PLATING	8	BERYLLIUM COPPER	NICKEL PLATING		
2	BRASS	GOLD PLATING	7	BRASS	GOLD PLATING		
1	RESISTANCE	50Ω	6	STAINLESS STEEL	PASSIVATE		
NO.	MATERIAL	FINISH	REMARKS	NO.	MATERIAL	FINISH	REMARKS

UNITS mm/inch		SCALE 5 : 1	COUNT 	DESCRIPTION OF REVISIONS	DESIGNED	CHECKED	DATE
HRS HIROSE ELECTRIC CO., LTD.		APPROVED : TS. NAKAGAWA 20210302	DRAWING NO. EDC-387607-00-00				
		CHECKED : NK. NINOMIYA 20210302	PART NO. HV-TMP-1				
		DESIGNED : AH. MARUYAMA 20210301	CODE NO. CL0353-0025-0-00				
		DRAWN : AH. MARUYAMA 20210301		1/1			