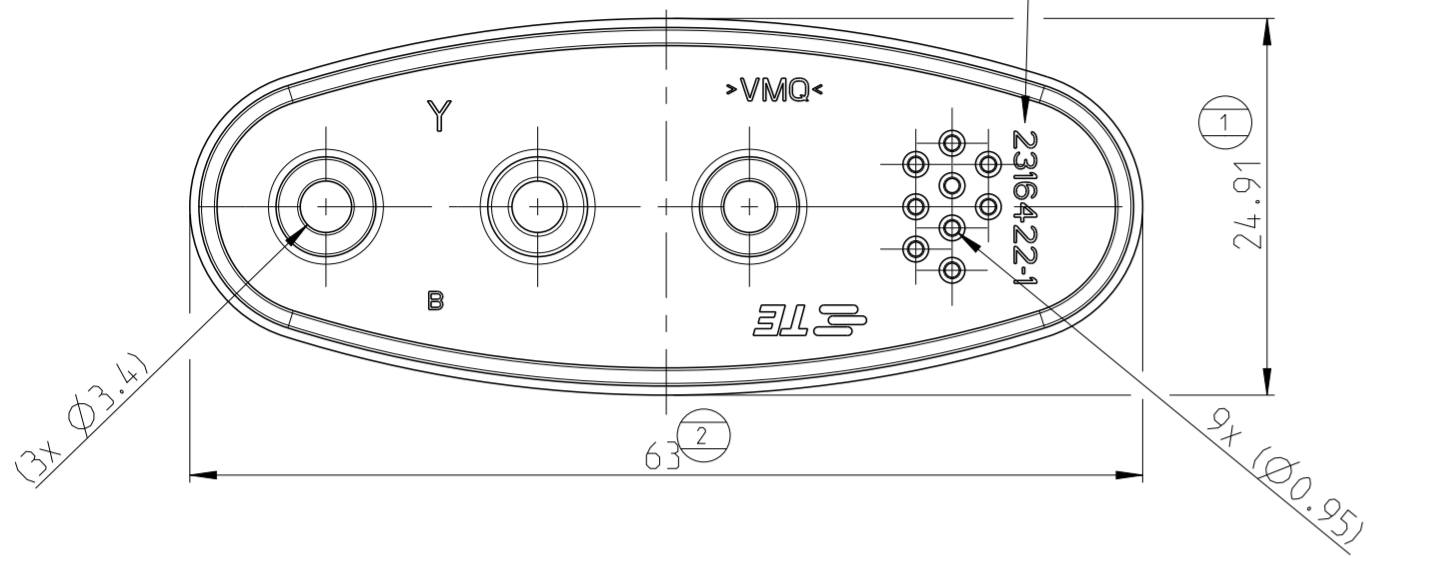


REVISIONS				
P	LTR	DESCRIPTION	DATE	APVD
	A1	INITIAL RELEASE	22JUN2018	EC BD

**P/N 9-2316422-1
AS SHOWN**

① P/N MARKING WITHOUT '9-' (OPTIONAL)

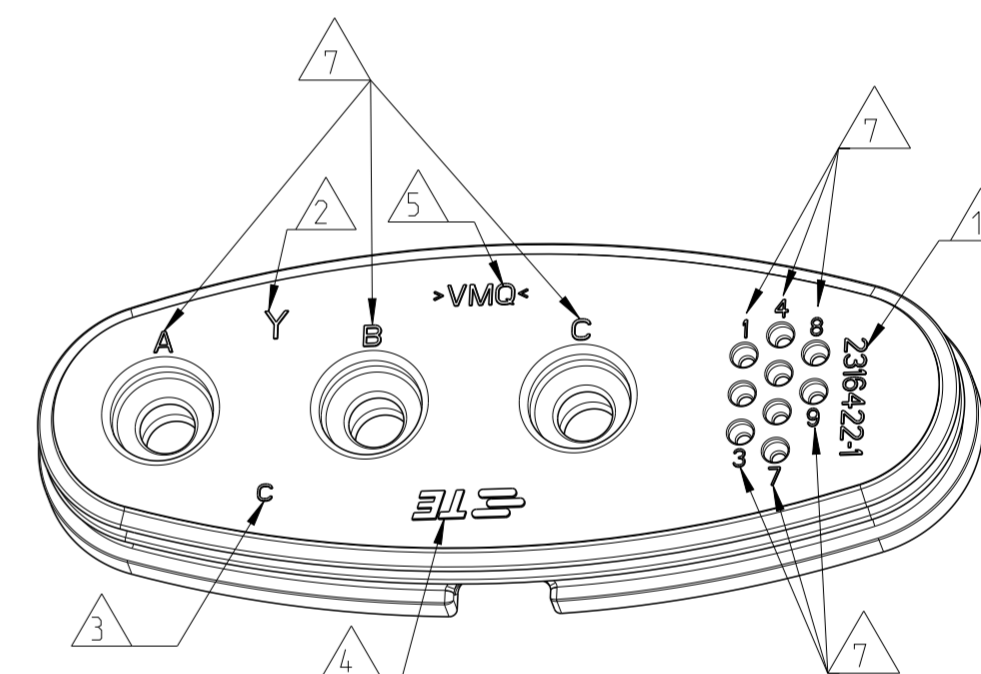
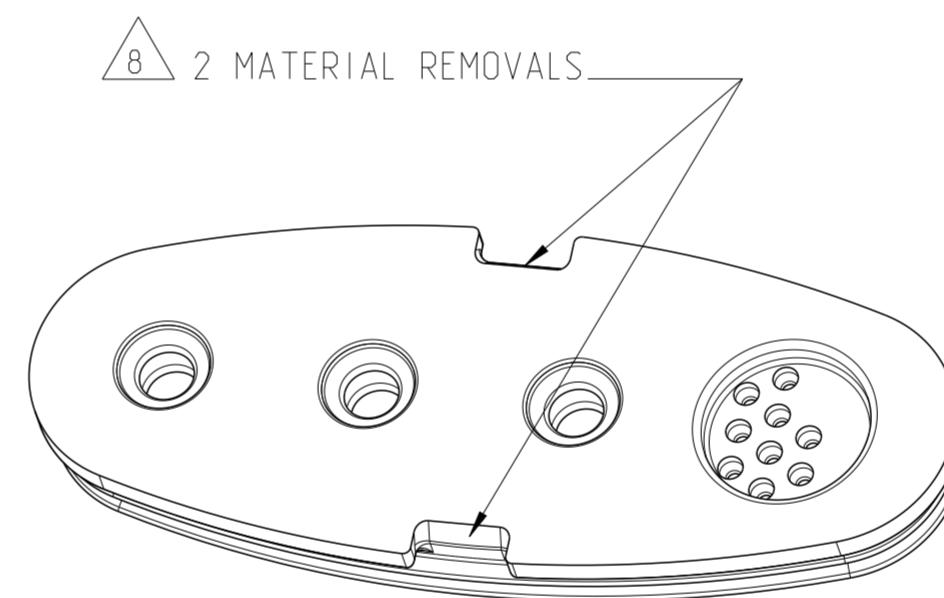
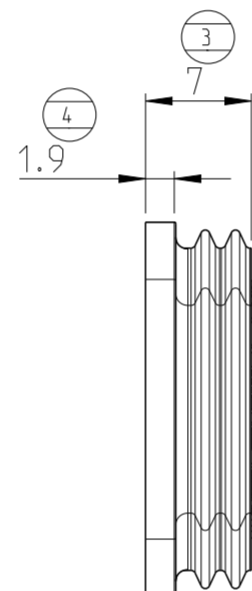
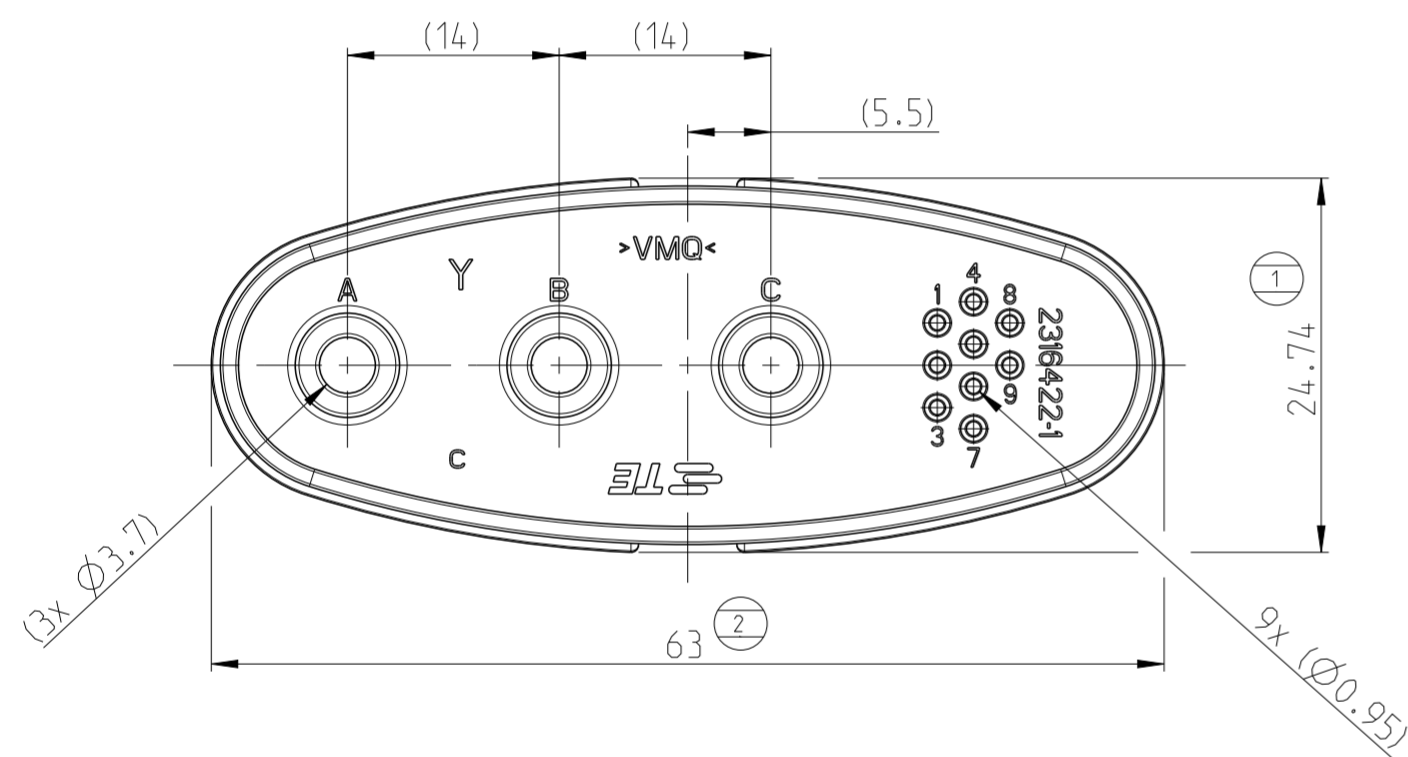


NOTES:

- ① TE PART NUMBER = P/N
- ② CAVITY MARKING
- ③ PART REVISION
- ④ TE-TRADEMARK
- ⑤ MATERIAL MARKING
- ⑥ PACKAGING ACCORDING TO SPEC. 107-15767
- ⑦ OPTIONAL WIRE CAVITY MARKINGS (NOT FOR P/N 9-2316422-1)
- ⑧ SPECIFIC SHAPE : 2 MATERIAL REMOVALS, ONLY FOR FOR PILOT P/N 2316422-1 AND 2316422-2 (NOT FOR PILOT P/N 9-2316422-1 AND 9-2316422-2)

**P/N 2316422-1
AS SHOWN**

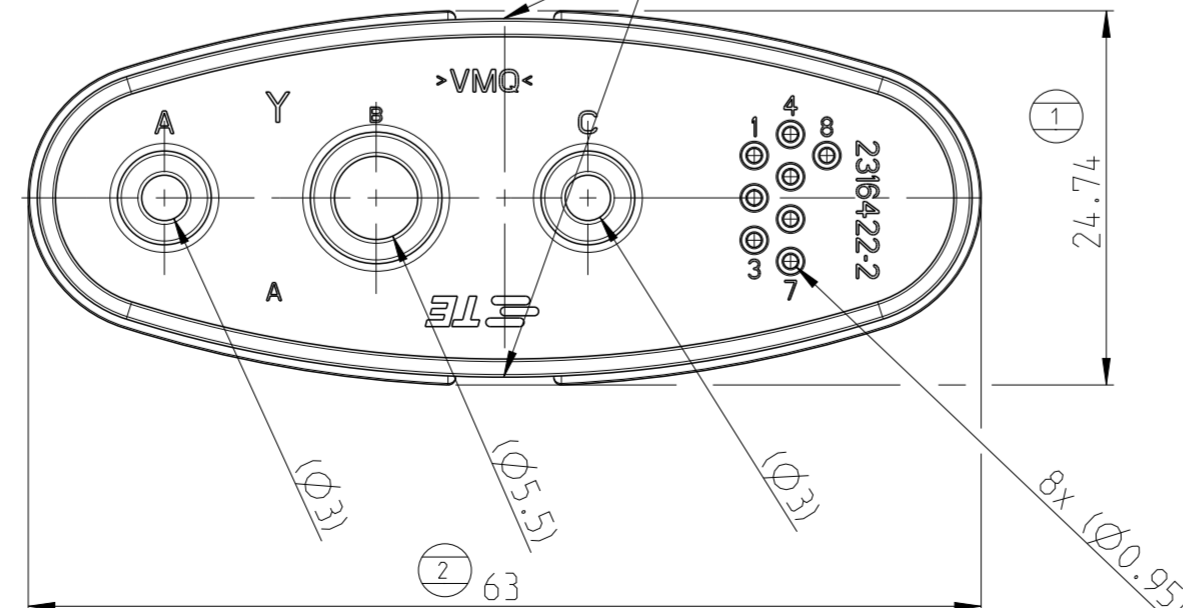
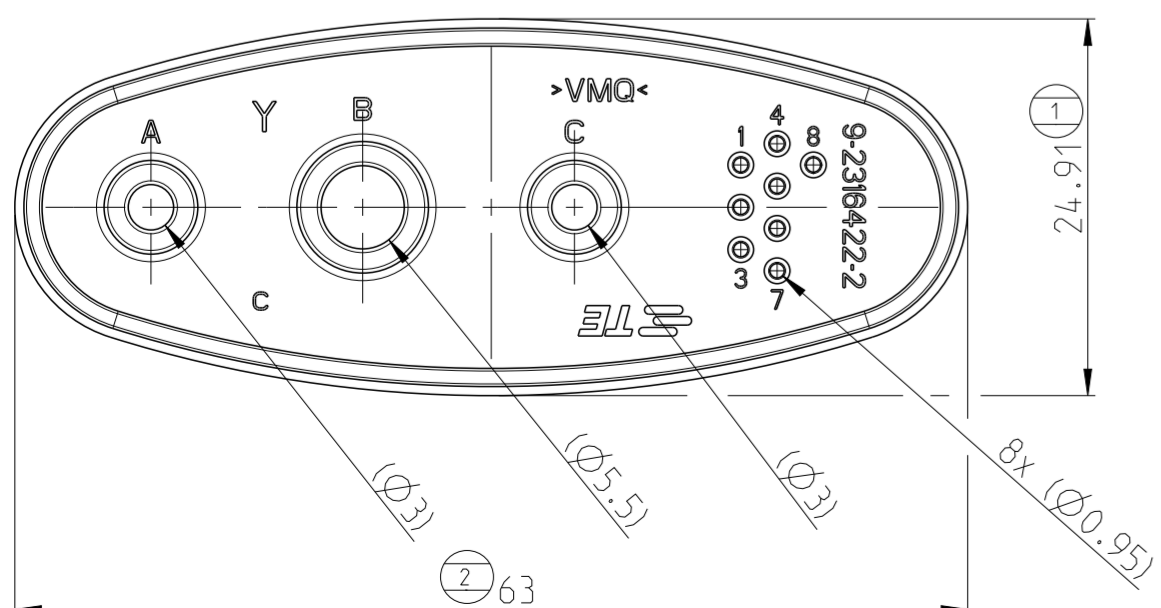
⑧ 2 MATERIAL REMOVALS



**P/N 9-2316422-2
AS SHOWN**

**P/N 2316422-2
AS SHOWN**

⑧ 2 MATERIAL REMOVALS



TE-PART-NO.	REV	DESCRIPTION	MATERIAL	WEIGHT [g]	COLOUR
9-2316422-2	C	FAMILY SEAL AC 1PH - PILOT	VMQ (SILICONE RUBBER 50sh)	8	YELLOW
2316422-2	A	FAMILY SEAL AC 1PH	VMQ (SILICONE RUBBER 30sh)	8	
9-2316422-1	B	FAMILY SEAL AC 1PH - PILOT	VMQ (SILICONE RUBBER 50sh)	8	NATURAL
2316422-1	C	FAMILY SEAL AC 1PH	VMQ (SILICONE RUBBER 30sh)	8	

THIS DRAWING IS A CONTROLLED DOCUMENT.

DWN: Arun Kumar 08MAY2017
 CHK: Vishwa A 08MAY2017
 APVD: B. DUPONT 07DEC2017

STE TE Connectivity

NAME: FAMILY SEAL, AC

SIZE: A2 CAGE CODE: 00779 DRAWING NO: C-2316422

SCALE: 2:1 SHEET: 1 OF 1 REV: A1