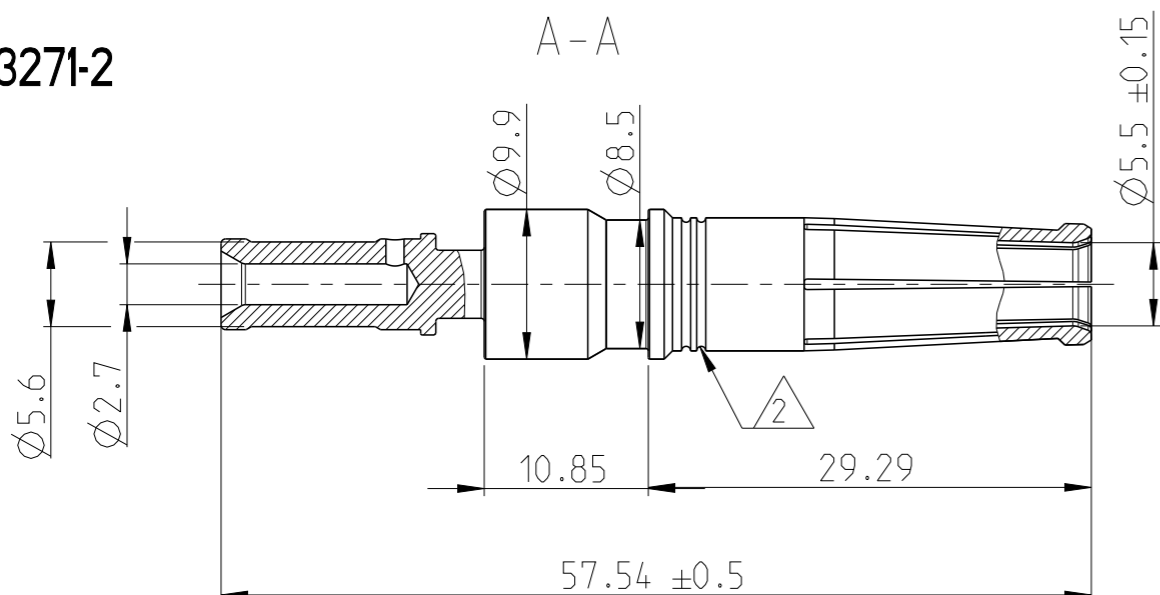


REVISIONS

P	LTR	DESCRIPTION	DATE	DWN	APVD
	A	NEW DRAWING	09MAY2017	AHM	FW I
	A1	GEN. TOL. CHANGED TO -fH	22AUG2018	AHM	SSI
	A2	NEW CHINA PNS	14SEP2022	GL	HMF

2293271-2

A-A

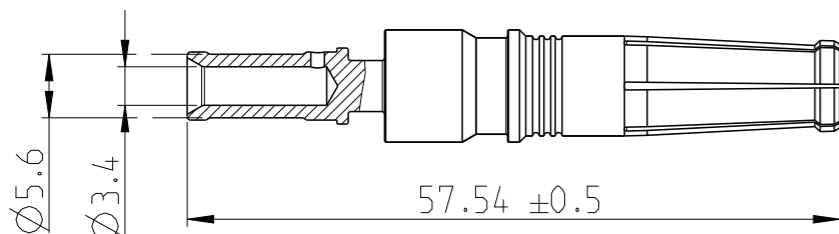


NOTES

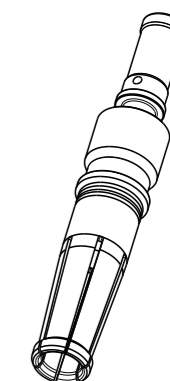
- 1 HANDLING OF PARTS ONLY WITH GLOVES
- 2 CROSS SECTION MARKING:  
NUMBER OF GROOVES ACC. NUMBER AFTER BASIS-PN
- 3 TRAY PACKAGING IN CORRUGATED SHIPPING BOX
- 4 ADDITIONAL GROOVES FOR THE CHINA PRODUCTS

2293271-3 AS SHOWN

A-A  
3:2



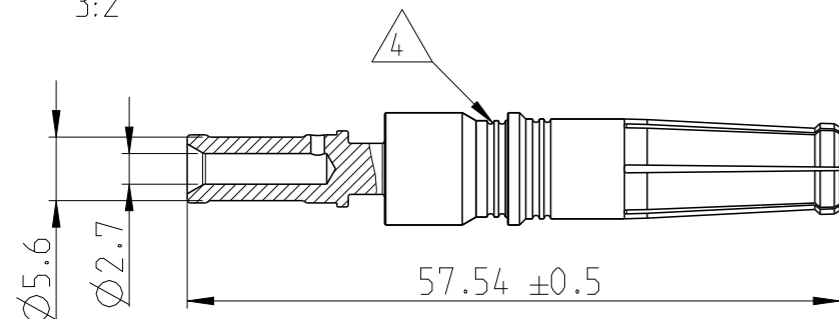
2293271-2 AS SHOWN 1:1



2293271-4 AS SHOWN

A2

A-A  
3:2

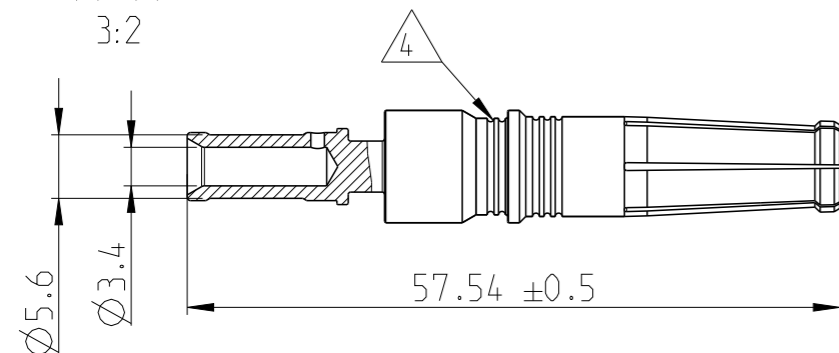


2

2293271-5 AS SHOWN

A2

A-A  
3:2



2293271-5	A	SOCKET CONTACT DIA 3.6,AC 6mm <sup>2</sup> CN	3 4	BRASS	16.44	SILVER
2293271-4	A	SOCKET CONTACT DIA 6.0,AC 4mm <sup>2</sup> CN	2 4	BRASS	16.84	SILVER
2293271-3	A	SOCKET CONTACT DIA 3.6,AC 6mm <sup>2</sup>	3	BRASS	16.47	SILVER
2293271-2	A	SOCKET CONTACT DIA 6.0,AC 4mm <sup>2</sup>	2	BRASS	16.87	SILVER

TE PART NO.	REV	DESCRIPTION	GROOVES	MATERIAL	WEIGHT [g]	SURFACE	
THIS DRAWING IS A CONTROLLED DOCUMENT.		DWN 13FEB2017 Aravind H.M.	<b>TE Connectivity</b> NAME: SOCKET CONTACT, DIA. 6.0 BUCHSENKONTAKT, D. 6.0				
DIMENSIONS: mm		CHK 13FEB2017 Vishwa A					
TOLERANCES UNLESS OTHERWISE SPECIFIED: ISO 2768-fH		APVD 09MAY2017 F. Wittrock					
0 PLC ± 1 PLC ± 2 PLC ± 3 PLC ± 4 PLC ± ANGLES ±2		PRODUCT SPEC					
MATERIAL		APPLICATION SPEC	114-94441	SIZE A3	CAGE CODE 00779	DRAWING NO C=2293271	RESTRICTED TO
		WEIGHT	-	SCALE 1:1		SHEET 1 OF 1	REV A2
		CUSTOMER DRAWING					