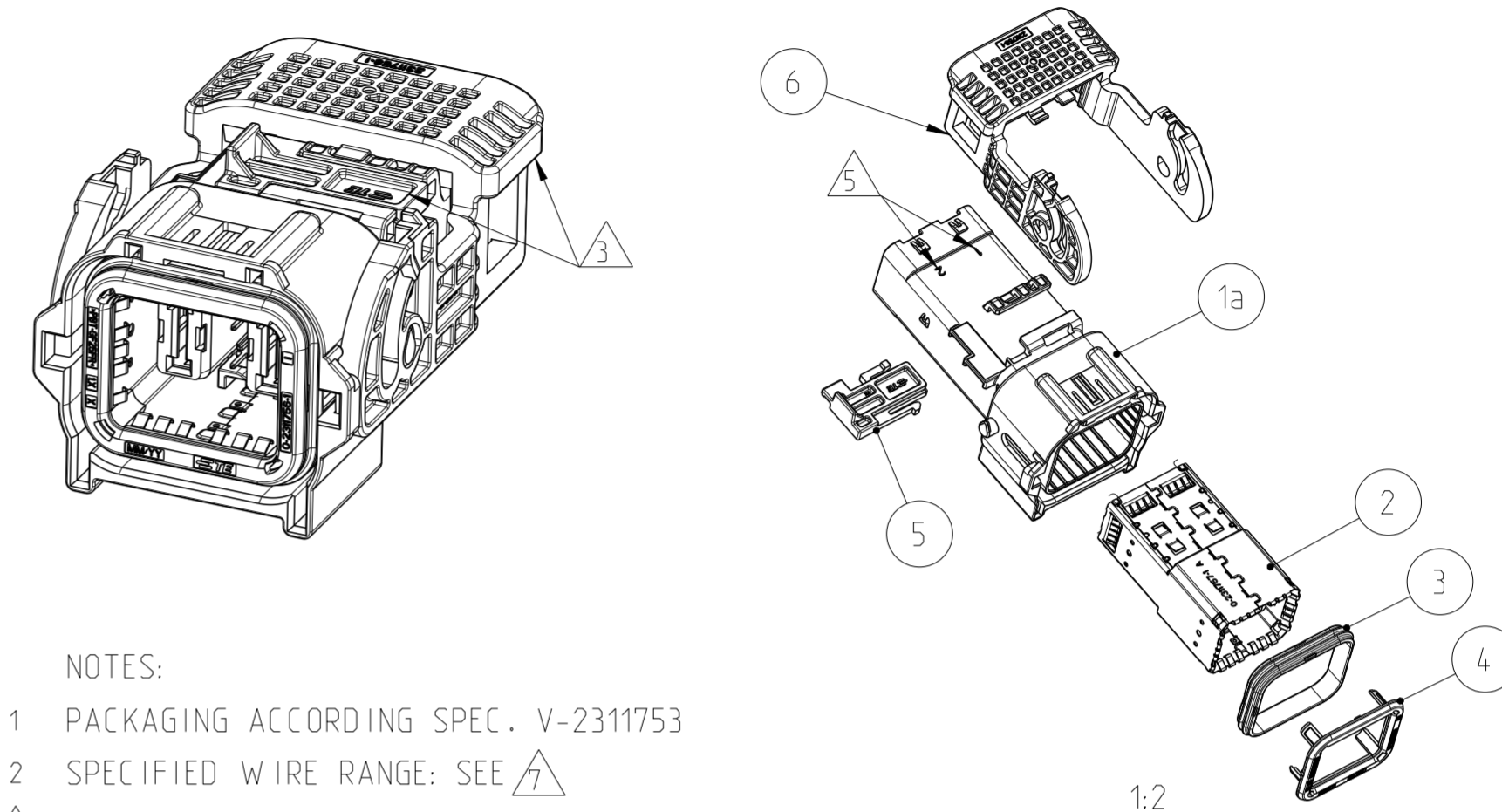
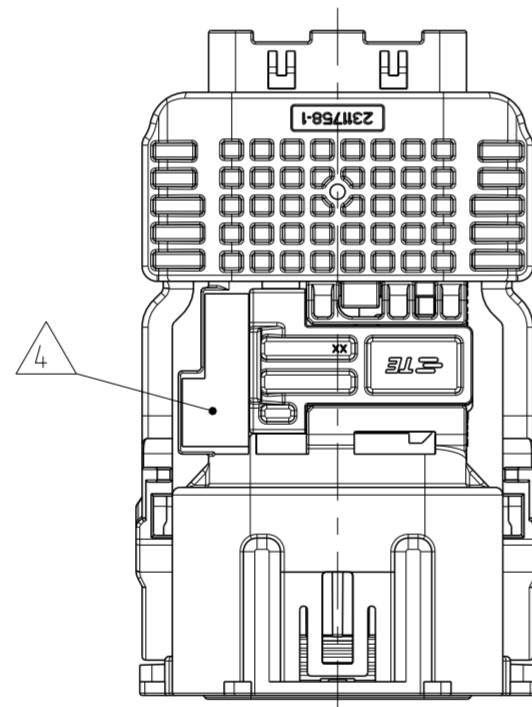
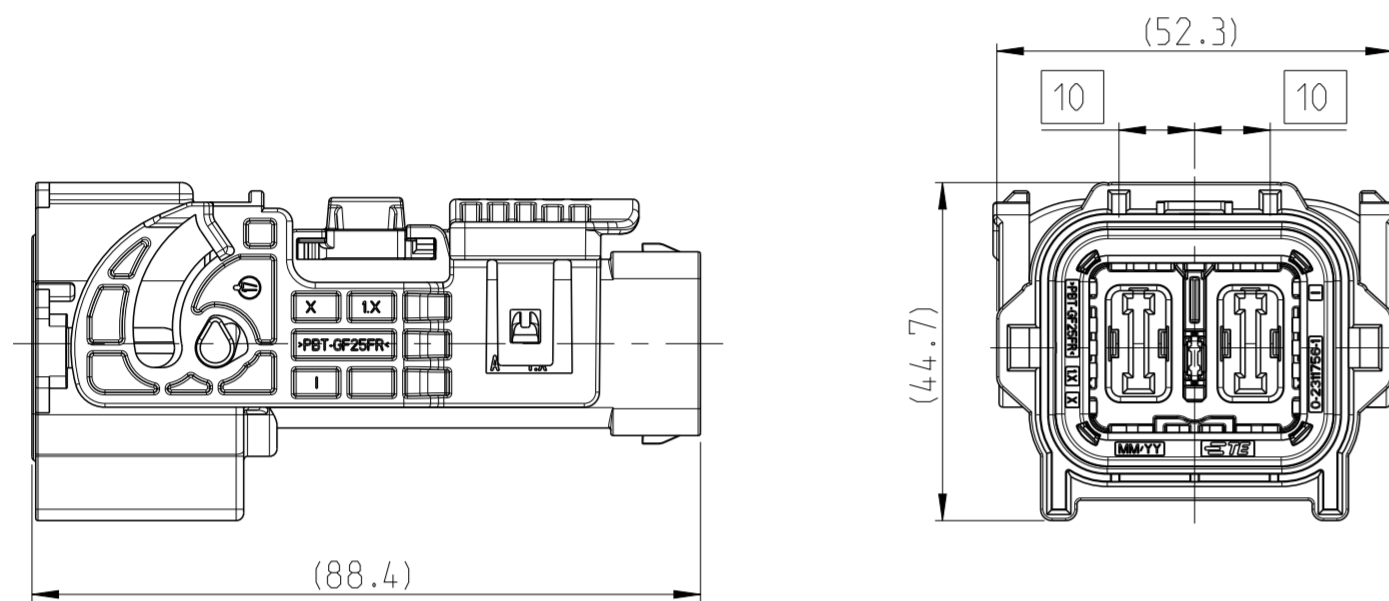


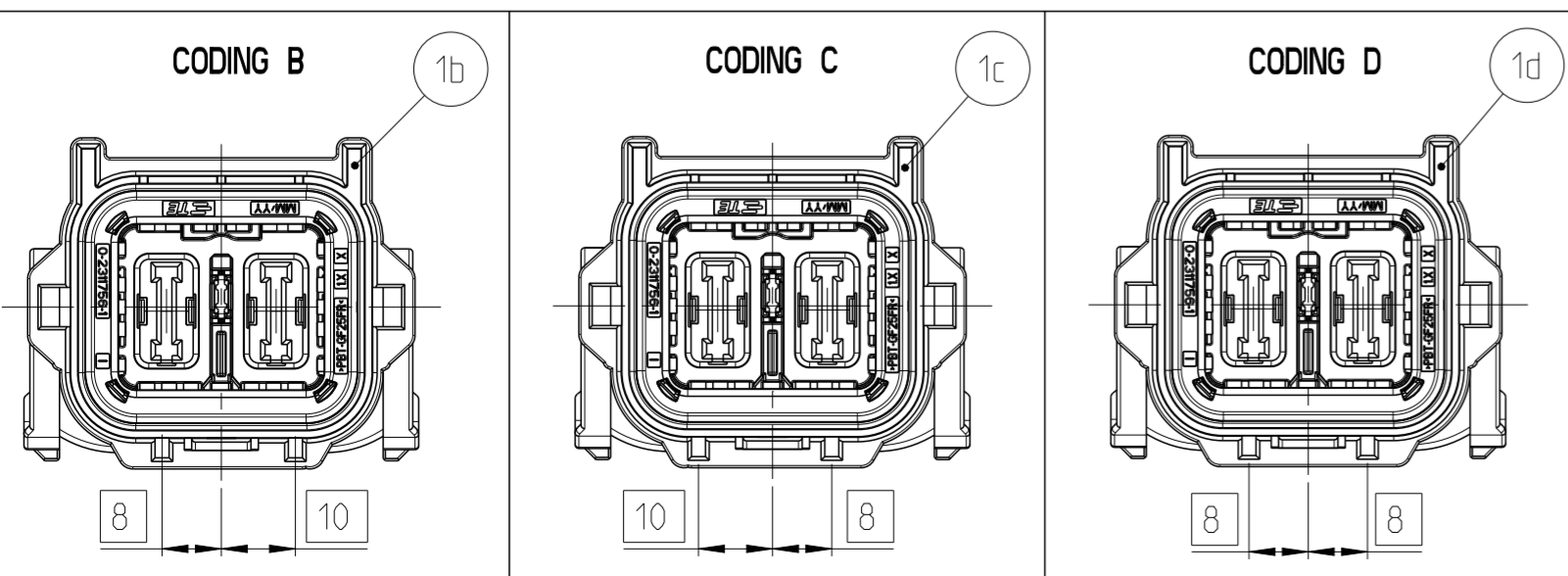
THIS DRAWING IS UNPUBLISHED. RELEASED FOR PUBLICATION
 © COPYRIGHT copyright_date BY - ALL RIGHTS RESERVED.

REVISIONS					
P	LTR	DESCRIPTION	DATE	DWN	APVD
A1		ECR-19-001400	13FEB2019	GP	HR
A2		ECR-19-009236	12JUN2019	GP	HR
B		ECR-19-018949	29NOV2019	GP	HR
B1		ECR-20-001669	21FEB2020	GP	HR



- NOTES:
- 1 PACKAGING ACCORDING SPEC. V-2311753
 - 2 SPECIFIED WIRE RANGE: SEE 7
 - 3 SUPPLY CONDITION: LEVER AND CPA IN ENDOCK POSITION
 - 4 SUPPLIER MARK
 - 5 CAVITY IDENTIFICATION
 - 6 PRODUCT-SPECIFICATION: TE-NO. 108-94749
 - 7 APPLICATION-SPECIFICATION: TE-NO. 114-94518

0- -1 AS SHOWN
 CODING A



QTY	QTY	QTY	QTY	PART NO	DESCRIPTION	COLOUR	ITEM NO
1x	1x	1x	1x	0-2311758-1	LEVER	BLACK	6
1x	1x	1x	1x	0-2840616-1	CPA	RED	5
1x	1x	1x	1x	0-2311756-1	RETAINER FOR SEAL	BLACK	4
1x	1x	1x	1x	0-2310216-1	PERIPHERAL SEAL	GREEN	3
-	-	-	-	0-2311780-2	HVIL	-	-
-	-	-	-	0-2311757-1	EMI SHIELD	-	-
-	-	-	-	0-2311755-1	INNER HOUSING	-	-
1x	1x	1x	1x	0-2312685-1	INNER HOUSING ASSEMBLY	-	2
1x	-	-	-	0-2311754-4	OUTER HOUSING. COD D	ORANGE	1d
-	1x	-	-	0-2311754-3	OUTER HOUSING. COD C	ORANGE	1c
-	-	1x	-	0-2311754-2	OUTER HOUSING. COD B	ORANGE	1b
-	-	-	1x	0-2311754-1	OUTER HOUSING. COD A	ORANGE	1a
0-2311753-4 CODING D	0-2311753-3 CODING C	0-2311753-2 CODING B	0-2311753-1 CODING A	PART NO	DESCRIPTION	COLOUR	ITEM NO
B	B	B	B	REVISION OF EACH ASSY NO (WHEN BLANK, USE DWG REVISION)			
75.2	75.2	75.2	75.2	WEIGHT OF EACH ASSY NO (g)			
QTY REQD PER ASSY				PARTS LIST			

THIS DRAWING IS A CONTROLLED DOCUMENT.

DWN SHREESHAIL 08SEP2017
 CHK PARUSURAM 08SEP2017
 APVD H.RIPPER 27NOV2017

TE Connectivity

NAME: 2POS PCON12 PLUG ASS'Y 180-DEGREE

SIZE: A2 CAGE CODE: 00779 DRAWING NO: C-2311753 RESTRICTED TO: -

MATERIAL: - TOLERANCES UNLESS OTHERWISE SPECIFIED: 0 PLC ±, 1 PLC ±, 2 PLC ±, 3 PLC ±, 4 PLC ±, ANGLES ±, FINISH -

WEIGHT: -

CUSTOMER DRAWING SCALE: 1:1 SHEET: 1 OF 1 REV: B1