

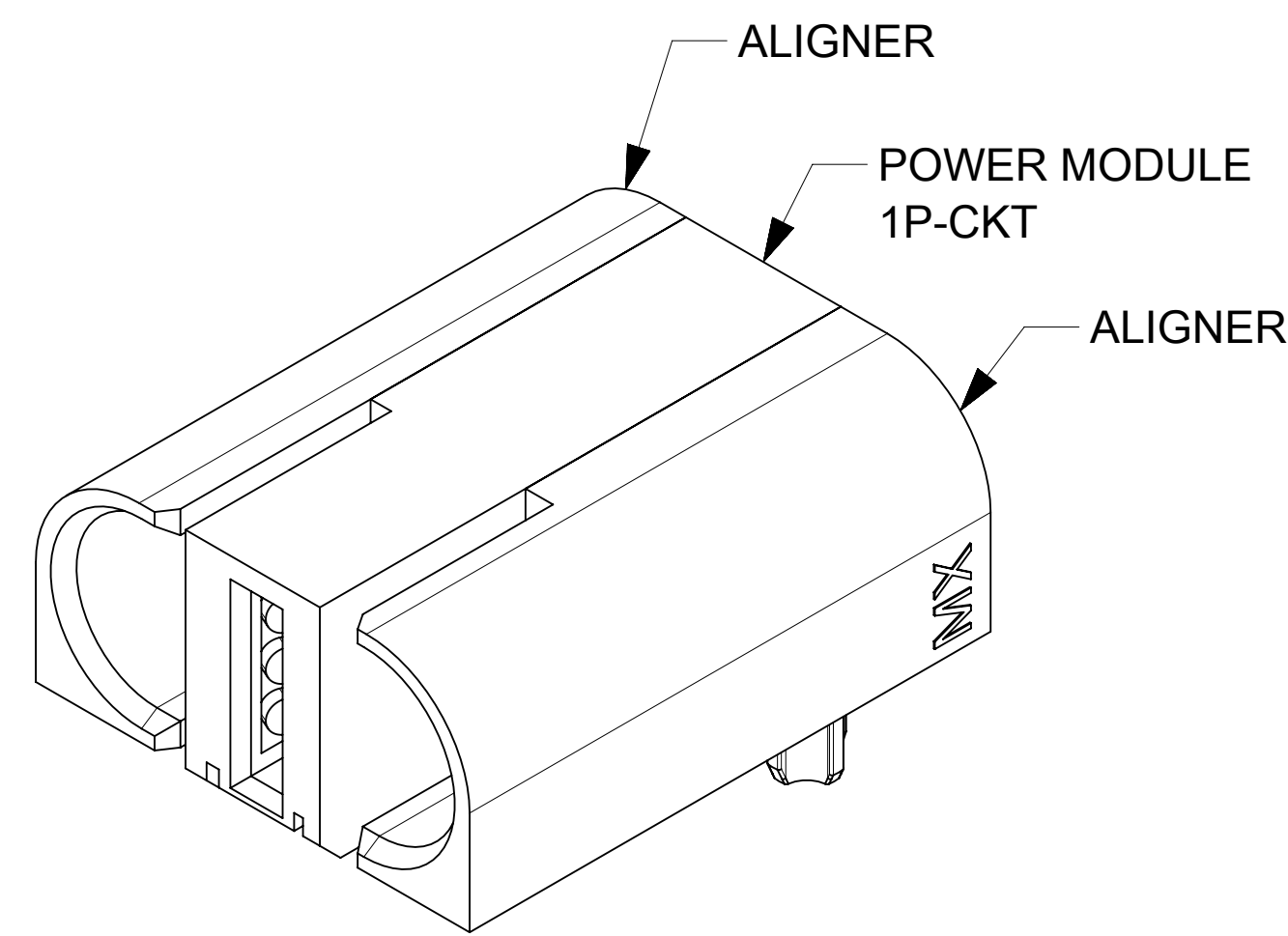
- NOTES:
- MATERIAL:
 - HOUSINGS: LCP UL94, V-0, COLOR: BLACK
 - TERMINALS: HIGH CONDUCTIVITY COPPER ALLOY
 - PLATING: 1.27 MICROMETER (50 MICROINCH) NICKEL OVERALL WITH 2.54 MICROMETER (100 MICROINCH) SELECTIVE TIN ON TAILS AND 0.762 MICROMETER (30 MICROINCH) SELECTIVE GOLD ON CONTACT AREA
 - PACKAGING: ASSEMBLIES TO BE TRAY PACKED PER PACKAGING SPEC: 464361001-PK
 - PLATED THRU HOLE SIZE, REFER TO PS-46436-100 FOR DETAILS
 - PRODUCT SPEC: PS-46436-100
 - APPLICATION SPEC: AS-46436-100
 - PRODUCT TO MEET RoHS REQUIREMENTS
 - ASSEMBLY MATES TO MOLEX PLUG ASSEMBLY P/N 46437-**** (SEE TABLE IN SHEET 2)
 - TAIL DESIGN: COMPLIANT TAILS
 - POWER CONTACTS ARE LUBRICATED.
 - MOLEX LOGO TO BE LOCATED APPROXIMATELY AS SHOWN.

THIS DRAWING CONTAINS INFORMATION THAT IS PROPRIETARY TO MOLEX ELECTRONIC TECHNOLOGIES, LLC AND SHOULD NOT BE USED WITHOUT WRITTEN PERMISSION									
DIMENSION UNITS	SCALE	CURRENT REV DESC: ADDED ISOMETRIC VIEWS							
mm	4:1								
GENERAL TOLERANCES (UNLESS SPECIFIED)									
ANGULAR TOL	± 0.5°								
4 PLACES	±	EC NO: 689821							
3 PLACES	±	DRWN: HARSHG		2021/12/13					
2 PLACES	± 0.13	CHK'D: GJEEVANSURES		2021/12/22					
1 PLACE	± 0.25	APPR: HTHYAGARAJ		2022/02/14					
0 PLACES	±	INITIAL REVISION:							
DRAFT WHERE APPLICABLE MUST REMAIN WITHIN DIMENSIONS		DRWN: KSUTAR		2021/08/17					
		APPR: HTHYAGARAJ		2021/10/21					
THIRD ANGLE PROJECTION		DRAWING		SERIES		MATERIAL NUMBER		CUSTOMER	
D-SIZE		46436		SEE TABLE		GENERAL MARKET		1 OF 3	

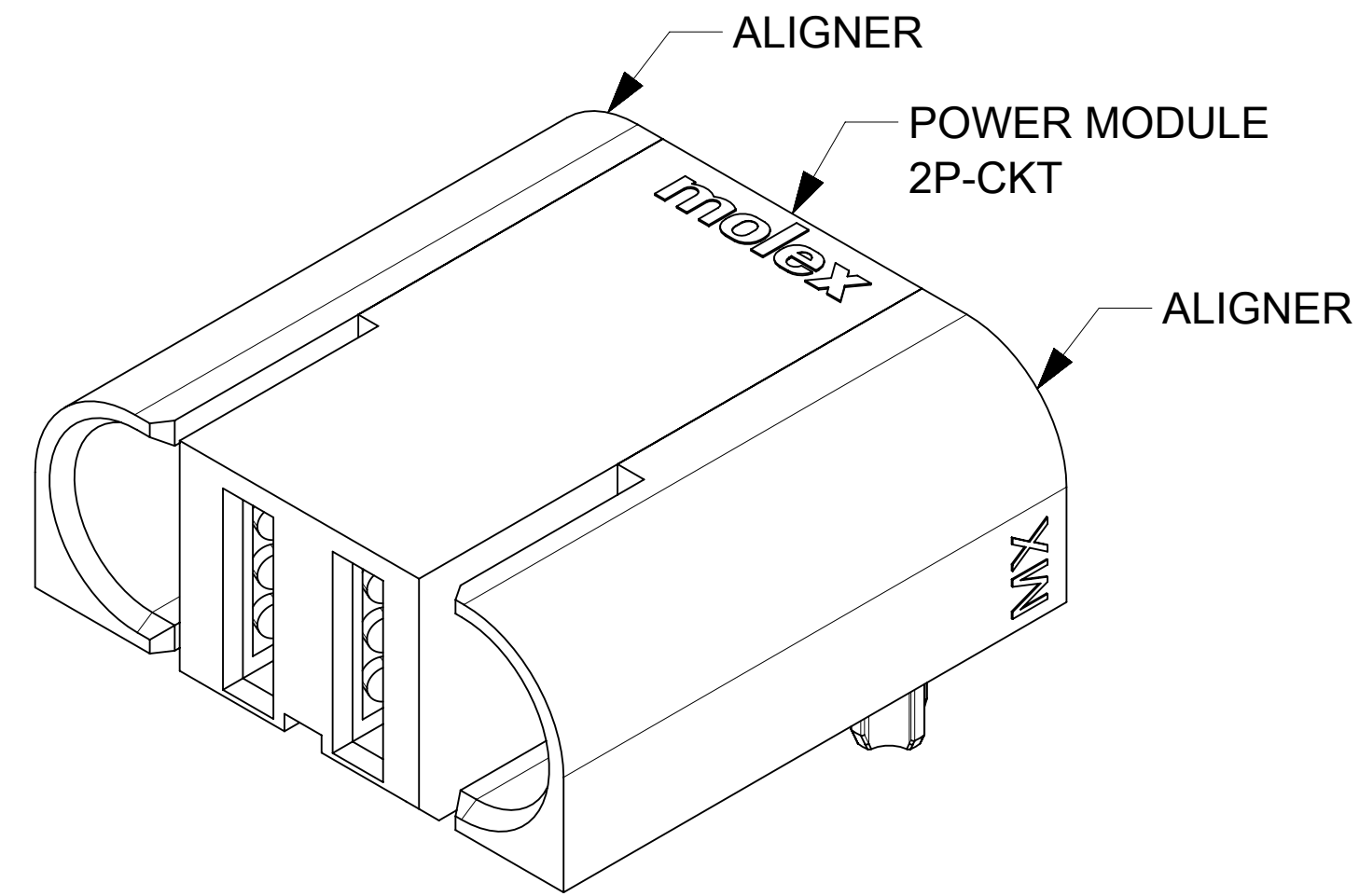
RECOMMENDED PCB LAYOUT AND KEEP-OUT ZONE FOR G-(1P TO 10P)-G

REFER TO BELOW TABLE FOR DIMENSIONS.

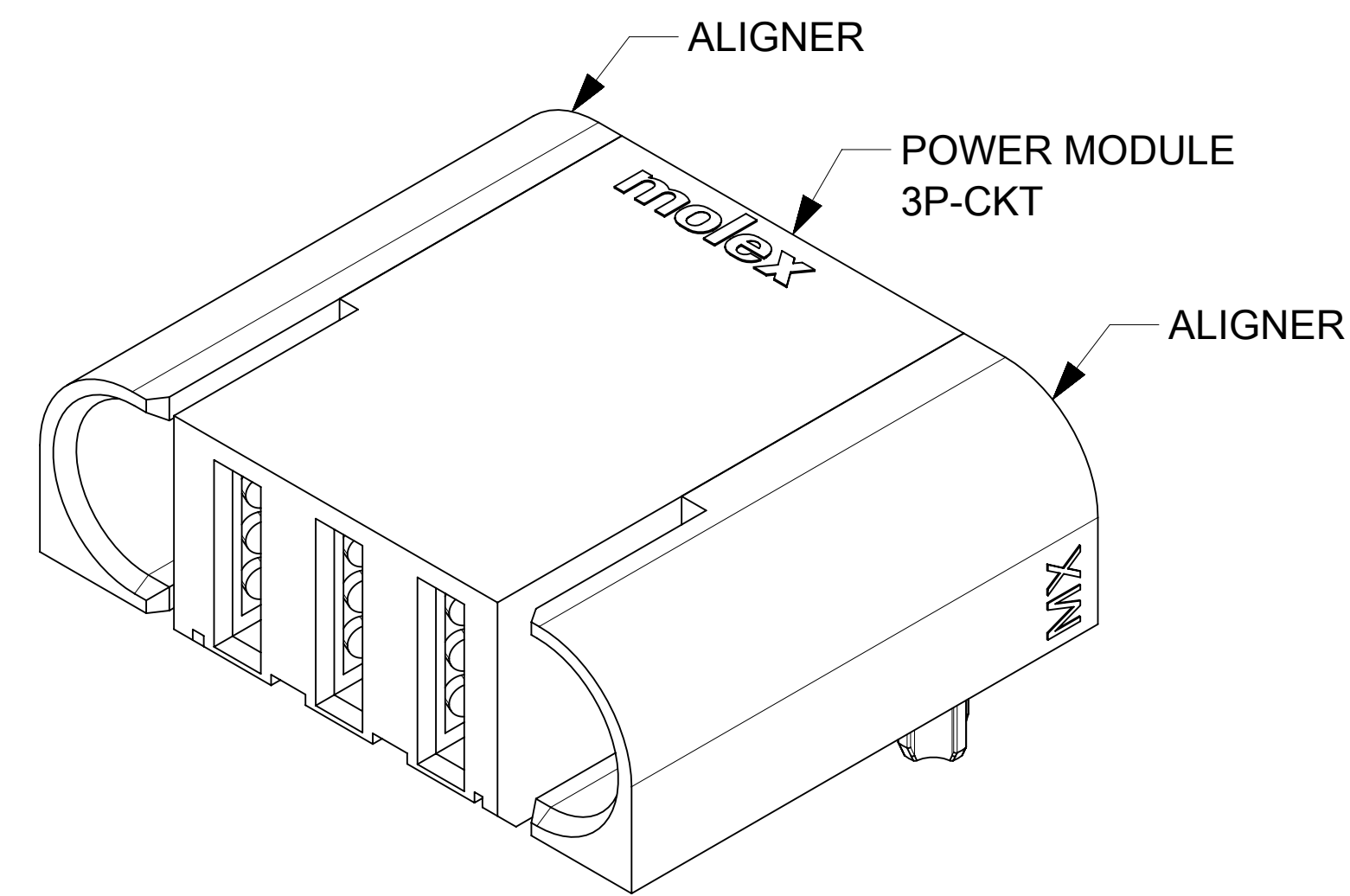
FG P/N	CONFIGURATION	POWER CKT SIZE	DIM "A" (IN MM)	DIM "B" (IN MM)	DIM "X" (IN MM)	HOLES COUNT "H1"	MATES WITH R/A PLUG ASSY P/N
464369301	G-1P-G	1	21.00	22.00	8.50	10	464379301
464369302	G-2P-G	2	26.50	27.50	14.00	20	464379302
464369303	G-3P-G	3	32.00	33.00	19.50	30	464379303
464369304	G-4P-G	4	37.50	38.50	25.00	40	464379304
464369305	G-5P-G	5	43.00	44.00	30.50	50	464379305
464369306	G-6P-G	6	48.50	49.50	36.00	60	464379306
464369307	G-7P-G	7	54.00	55.00	41.50	70	464379307
464369308	G-8P-G	8	59.50	60.50	47.00	80	464379308
464369309	G-9P-G	9	65.00	66.00	52.50	90	464379309
464369310	G-10P-G	10	70.50	71.50	58.00	100	464379310



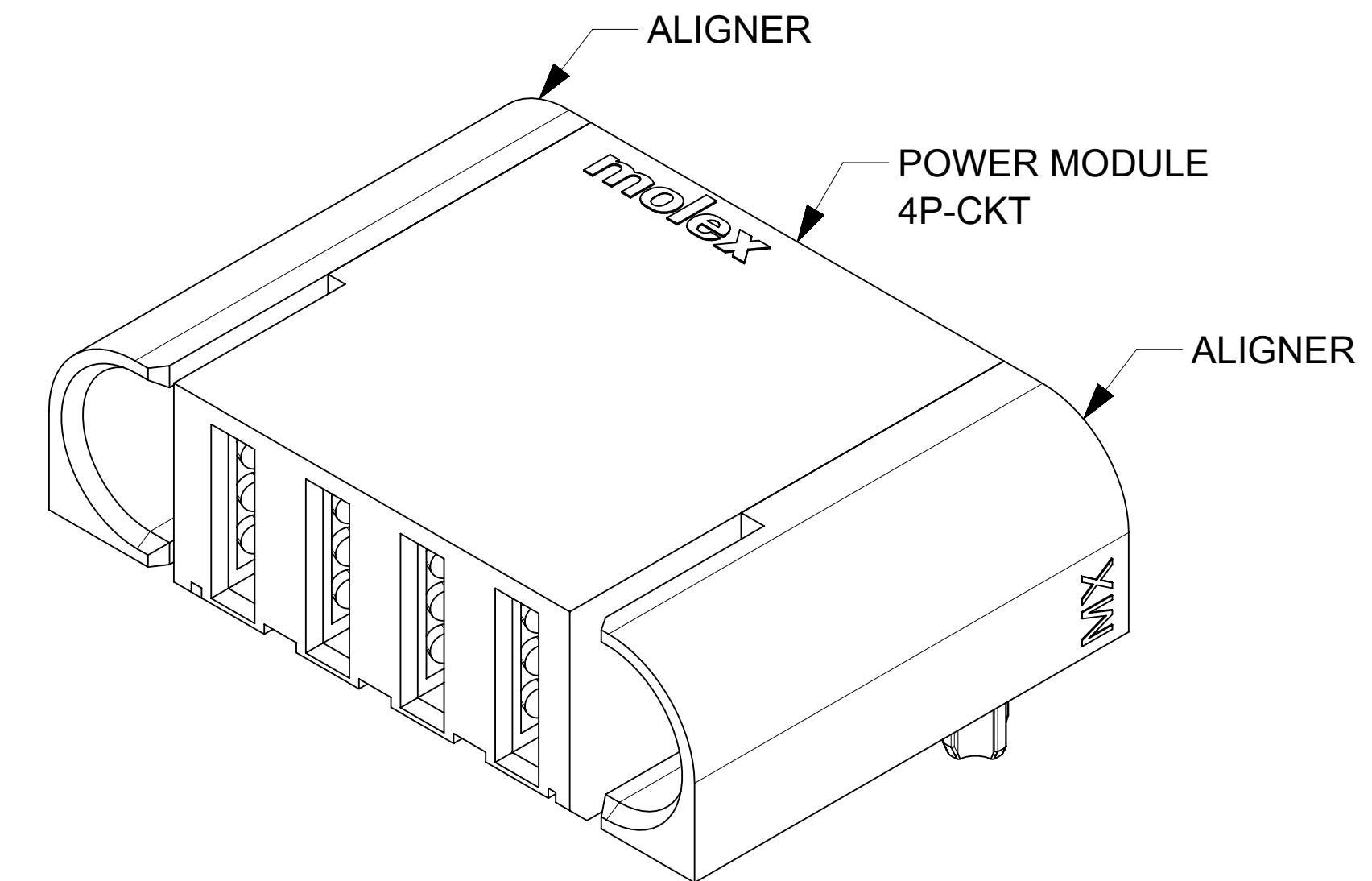
P/N : 46436-9301 (G-1P-G)



P/N : 46436-9302 (G-2P-G)

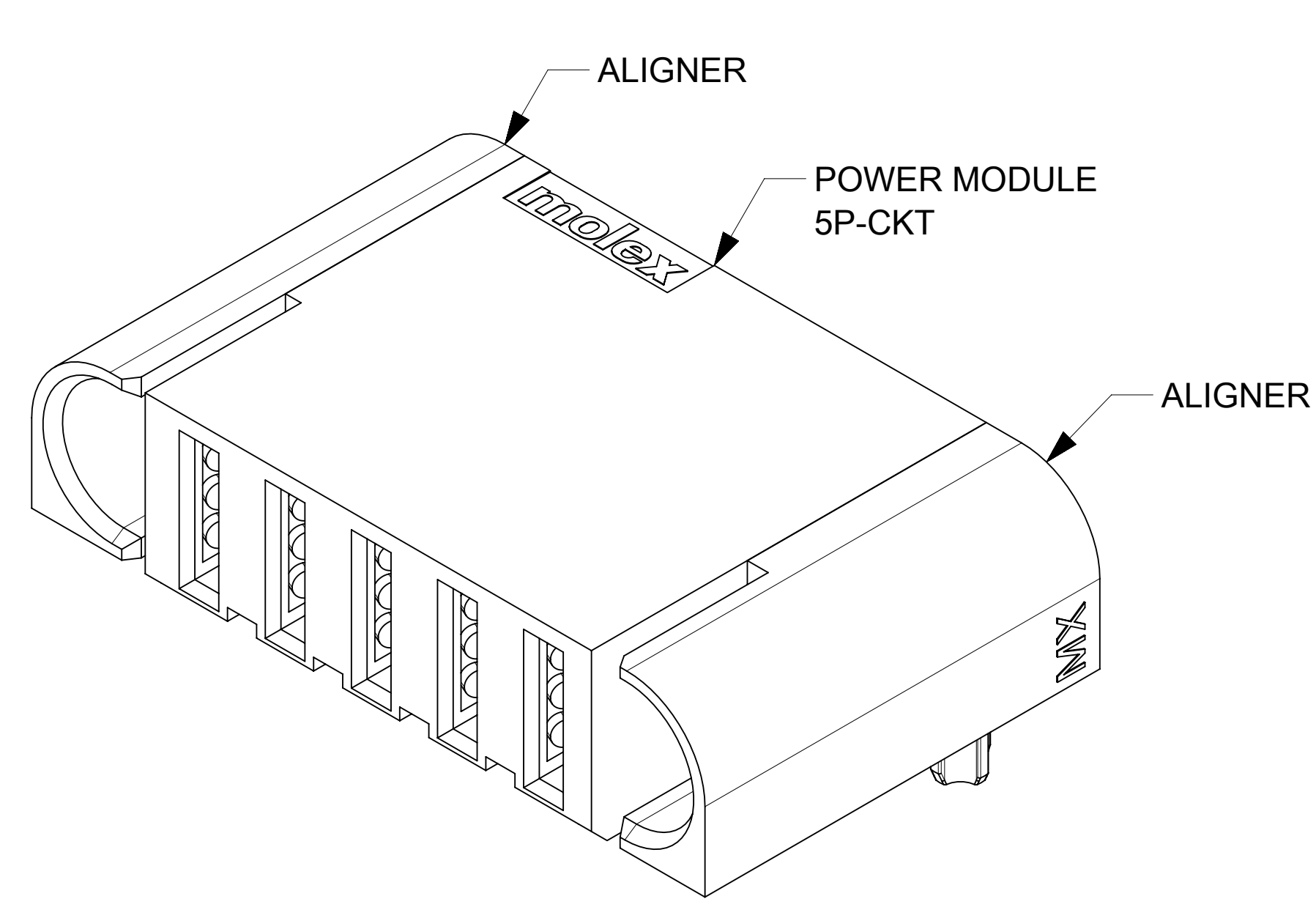


P/N : 46436-9303 (G-3P-G)

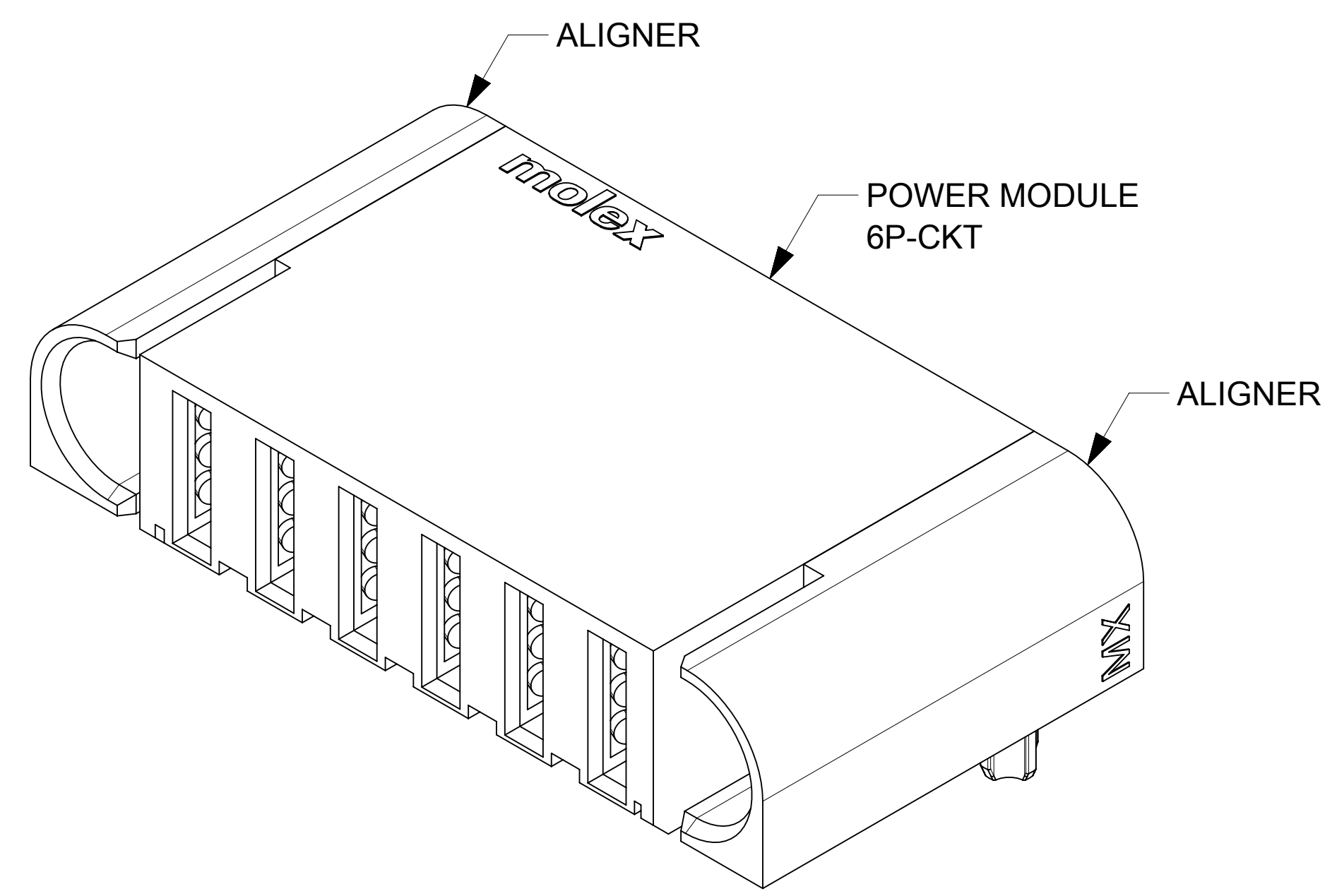


P/N : 46436-9304 (G-4P-G)

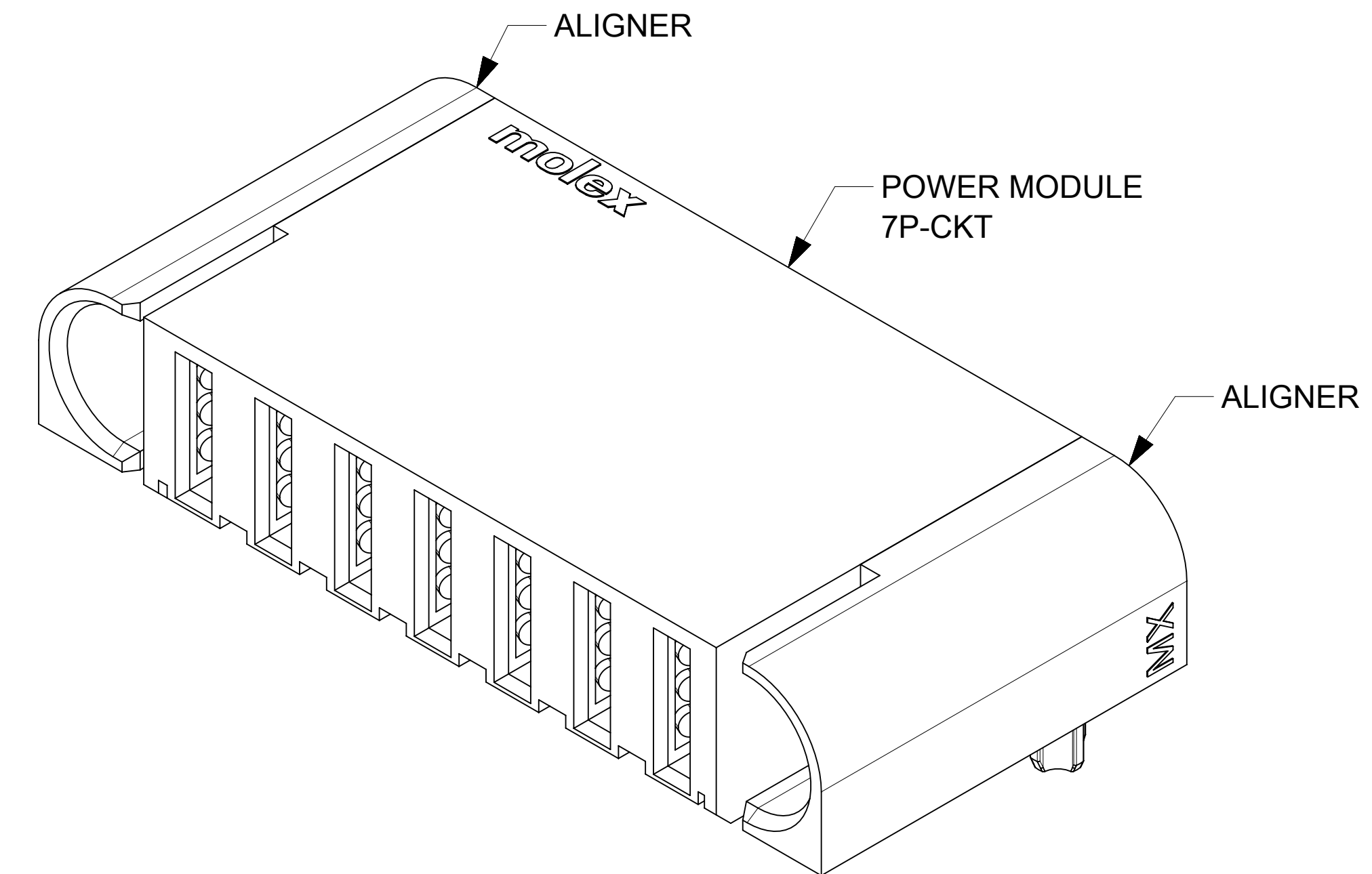
THIS DRAWING CONTAINS INFORMATION THAT IS PROPRIETARY TO MOLEX ELECTRONIC TECHNOLOGIES, LLC AND SHOULD NOT BE USED WITHOUT WRITTEN PERMISSION									
DIMENSION UNITS		SCALE		CURRENT REV DESC: ADDED ISOMETRIC VIEWS					
mm		4:1		<p style="text-align: center;">molex</p> <p style="text-align: center;">G-*P-G R/A RECEP ASSY - TEN60 POWER FAMILY</p> <p style="text-align: center;">PRODUCT CUSTOMER DRAWING</p>					
GENERAL TOLERANCES (UNLESS SPECIFIED)									
ANGULAR TOL ± 0.5°									
4 PLACES ±		EC NO: 689821							
3 PLACES ±		DRWN: HARSHG 2021/12/13							
2 PLACES ± 0.13		CHK'D: GJEEVANSURES 2021/12/22							
1 PLACE ± 0.25		APPR: HTHYAGARAJ 2022/02/14							
0 PLACES ±		INITIAL REVISION:							
DRAFT WHERE APPLICABLE		DRWN: KSUTAR 2021/08/17		DOCUMENT NUMBER		DOC TYPE		DOC PART	
MUST REMAIN WITHIN DIMENSIONS		APPR: HTHYAGARAJ 2021/10/21		464369310		PSD		000	
THIRD ANGLE PROJECTION		DRAWING		SERIES		CUSTOMER		SHEET NUMBER	
		D-SIZE		46436		GENERAL MARKET		2 OF 3	



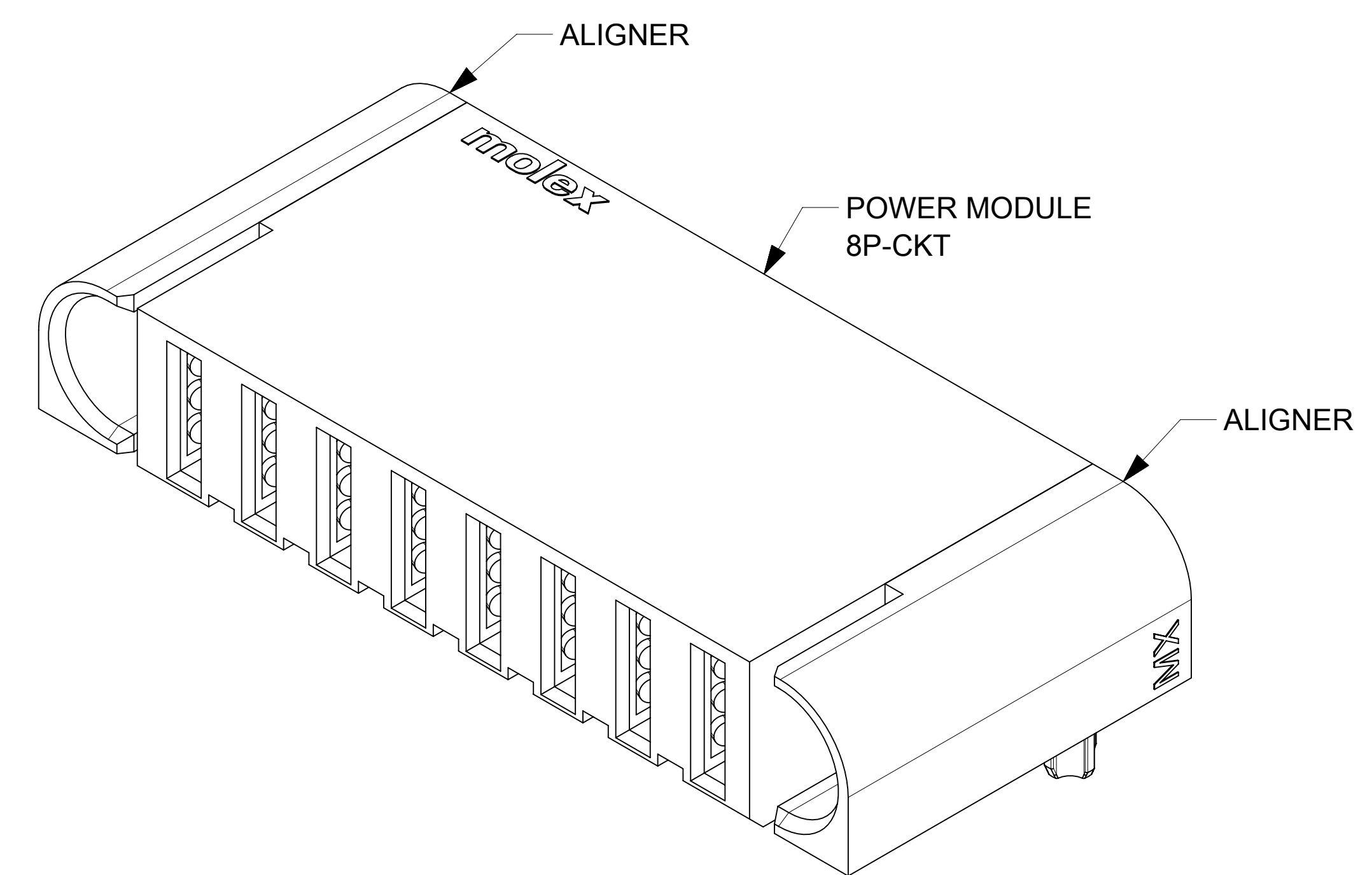
P/N : 46436-9305 (G-5P-G)



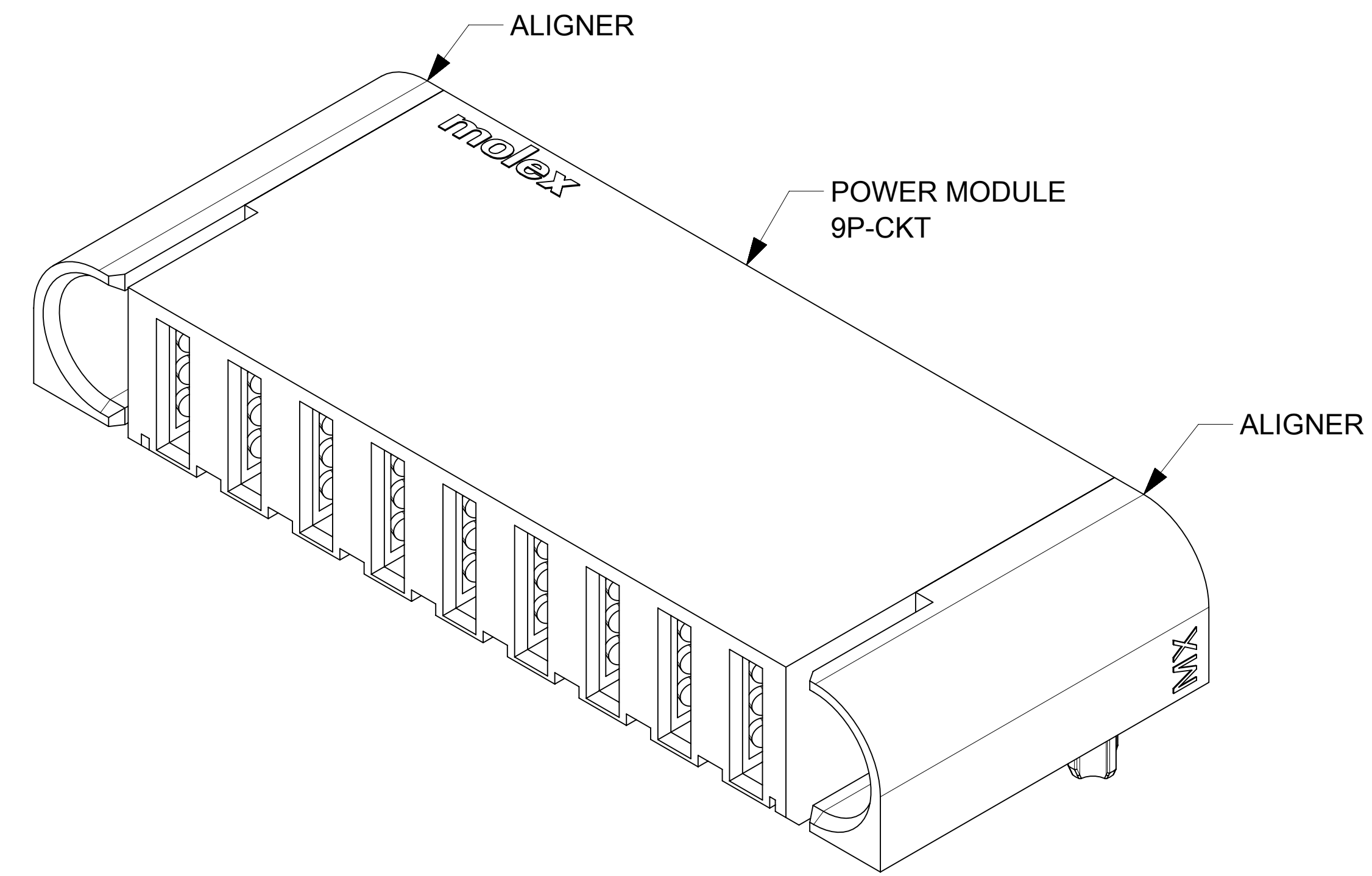
P/N : 46436-9306 (G-6P-G)



P/N : 46436-9307 (G-7P-G)



P/N : 46436-9308 (G-8P-G)



P/N : 46436-9309 (G-9P-G)

THIS DRAWING CONTAINS INFORMATION THAT IS PROPRIETARY TO MOLEX ELECTRONIC TECHNOLOGIES, LLC AND SHOULD NOT BE USED WITHOUT WRITTEN PERMISSION											
DIMENSION UNITS		SCALE		CURRENT REV DESC: ADDED ISOMETRIC VIEWS							
mm		4:1		<p>molex</p> <p>G-*P-G R/A RECEP ASSY - TEN60 POWER FAMILY</p> <p>PRODUCT CUSTOMER DRAWING</p> <p>DOCUMENT NUMBER: 464369310 DOC TYPE: PSD DOC PART: 000 REVISION: A1</p> <p>MATERIAL NUMBER: SEE TABLE CUSTOMER: GENERAL MARKET SHEET NUMBER: 3 OF 3</p>							
GENERAL TOLERANCES (UNLESS SPECIFIED)											
ANGULAR TOL ± 0.5°											
4 PLACES ±		EC NO: 689821									
3 PLACES ±		DRWN: HARSHG 2021/12/13									
2 PLACES ± 0.13		CHK'D: GJEEVANSURES 2021/12/22									
1 PLACE ± 0.25		APPR: HTHYAGARAJ 2022/02/14									
0 PLACES ±		INITIAL REVISION:									
DRAFT WHERE APPLICABLE		DRWN: KSUTAR 2021/08/17									
MUST REMAIN WITHIN DIMENSIONS		APPR: HTHYAGARAJ 2021/10/21									
THIRD ANGLE PROJECTION		DRAWING		SERIES		MATERIAL NUMBER		CUSTOMER		SHEET NUMBER	
D		D-SIZE		46436		SEE TABLE		GENERAL MARKET		3 OF 3	