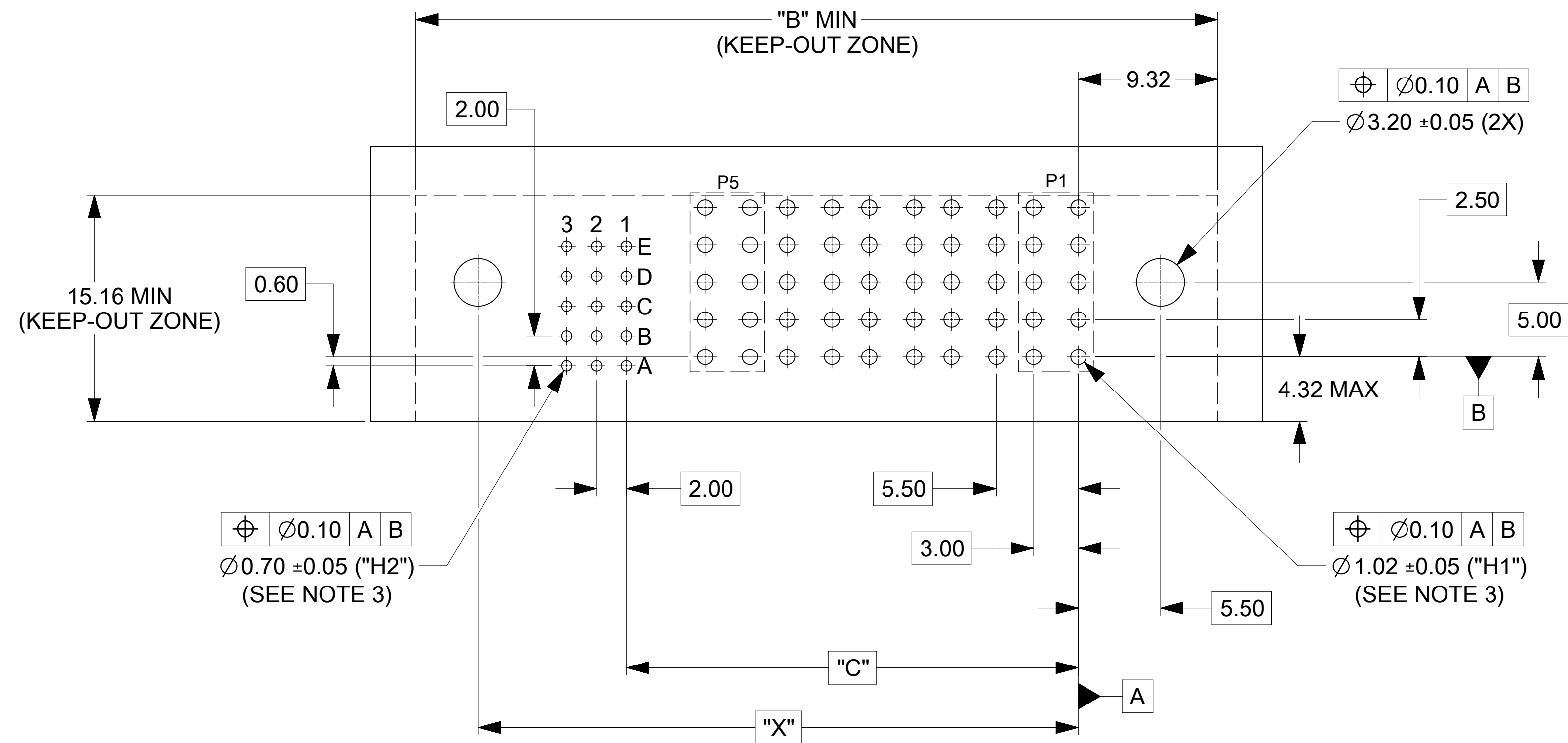


NOTES:

- MATERIAL:
 - HOUSINGS: LCP UL94, V-0, COLOR: BLACK
 - TERMINALS: HIGH CONDUCTIVITY COPPER ALLOY
 - PLATING: 1.27 MICROMETER (50 MICROINCH) NICKEL OVERALL WITH 2.54 MICROMETER (100 MICROINCH) SELECTIVE TIN ON TAILS AND 0.762 MICROMETER (30 MICROINCH) SELECTIVE GOLD ON CONTACT AREA
- PACKAGING: ASSEMBLIES TO BE TRAY PACKED PER PACKAGING SPEC: 464361001-PK
- PLATED THRU HOLE SIZE, REFER TO PS-46436-100 FOR DETAILS
- PRODUCT SPEC: PS-46436-100
- APPLICATION SPEC: AS-46436-100
- PRODUCT TO MEET RoHS REQUIREMENTS
- ASSEMBLY MATES TO MOLEX PLUG ASSEMBLY P/N 46437-**** (SEE TABLE IN SHEET 2).
- TAIL DESIGN: COMPLIANT TAILS
- POWER AND SIGNAL CONTACTS ARE LUBRICATED.
- MOLEX LOGO TO BE LOCATED APPROXIMATELY AS SHOWN.

| | | | | | | | | | |
|---|--------|---|--|------------|--|-----------------|--|--------------|--|
| THIS DRAWING CONTAINS INFORMATION THAT IS PROPRIETARY TO MOLEX ELECTRONIC TECHNOLOGIES, LLC AND SHOULD NOT BE USED WITHOUT WRITTEN PERMISSION | | | | | | | | | |
| DIMENSION UNITS | SCALE | CURRENT REV DESC: ADDED ISOMETRIC VIEWS | | | | | | | |
| mm | 4:1 | | | | | | | | |
| GENERAL TOLERANCES (UNLESS SPECIFIED) | | | | | | | | | |
| ANGULAR TOL | ± 0.5° | | | | | | | | |
| 4 PLACES | ± | EC NO: 689821 | | | | | | | |
| 3 PLACES | ± | DRWN: HARSHG | | 2021/12/13 | | | | | |
| 2 PLACES | ± 0.13 | CHK'D: GJEEVANSURES | | 2021/12/22 | | | | | |
| 1 PLACE | ± 0.25 | APPR: HTHYAGARAJ | | 2022/02/14 | | | | | |
| 0 PLACES | ± | INITIAL REVISION: | | | | | | | |
| DRAFT WHERE APPLICABLE MUST REMAIN WITHIN DIMENSIONS | | DRWN: KSUTAR | | 2021/08/11 | | | | | |
| | | APPR: HTHYAGARAJ | | 2021/10/21 | | | | | |
| THIRD ANGLE PROJECTION | | DRAWING | | SERIES | | MATERIAL NUMBER | | CUSTOMER | |
| D-SIZE | | 46436 | | SEE TABLE | | GENERAL MARKET | | SHEET NUMBER | |
| | | | | | | | | 1 OF 4 | |

RECOMMENDED PCB LAYOUT AND KEEP-OUT ZONE FOR G-(1P TO 5P)-30S-G



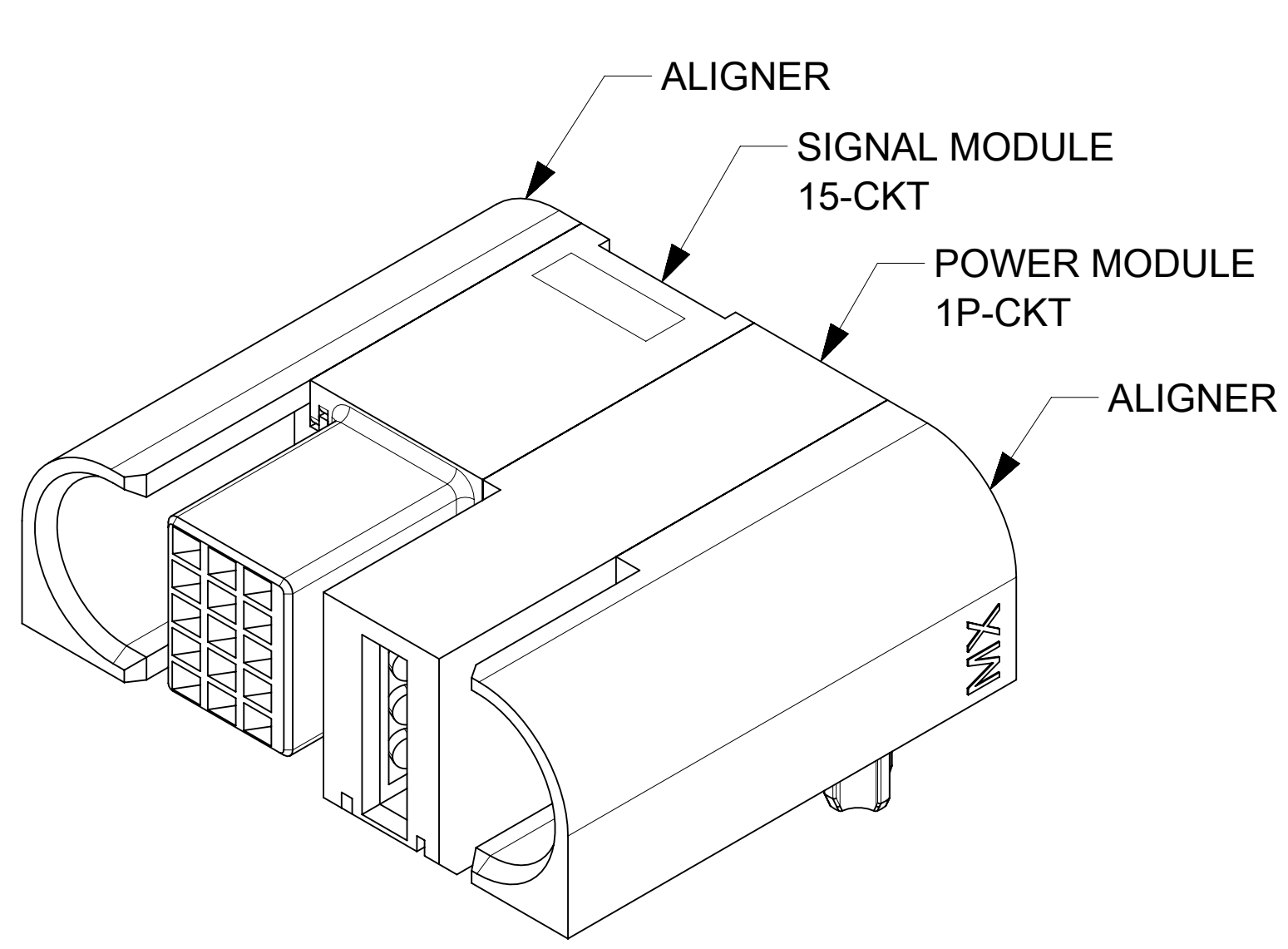
RECOMMENDED PCB LAYOUT AND KEEP-OUT ZONE FOR G-(1P TO 5P)-15S-G

REFER TO BELOW TABLE FOR DIMENSIONS.

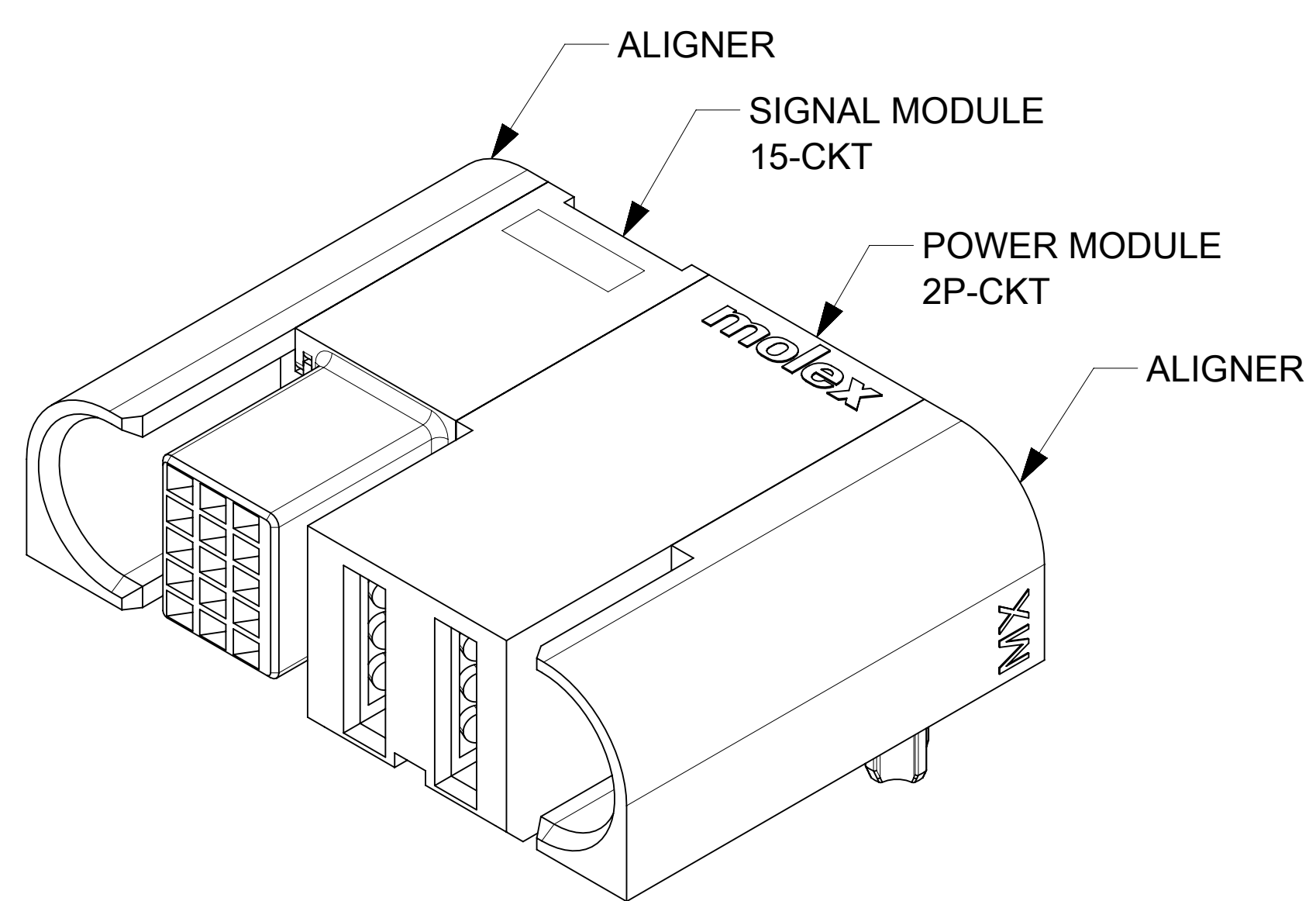
| FG P/N | CONFIGURATION | POWER CKT SIZE | SIGNAL CKT SIZE | DIM "A" (IN MM) | DIM "B" (IN MM) | DIM "C" (IN MM) | DIM "X" (IN MM) | HOLES COUNT "H1" | HOLES COUNT "H2" | MATES WITH R/A PLUG ASSY P/N |
|-----------|---------------|----------------|-----------------|-----------------|-----------------|-----------------|-----------------|------------------|------------------|------------------------------|
| 464369311 | G-1P-15S-G | 1 | 15 | 30.71 | 31.71 | 8.28 | 18.21 | 10 | 15 | 464379311 |
| 464369312 | G-2P-15S-G | 2 | 15 | 36.21 | 37.21 | 13.78 | 23.71 | 20 | 15 | 464379312 |
| 464369313 | G-3P-15S-G | 3 | 15 | 41.71 | 42.71 | 19.28 | 29.21 | 30 | 15 | 464379313 |
| 464369314 | G-4P-15S-G | 4 | 15 | 47.21 | 48.21 | 24.78 | 34.71 | 40 | 15 | 464379314 |
| 464369315 | G-5P-15S-G | 5 | 15 | 52.71 | 53.71 | 30.28 | 40.21 | 50 | 15 | 464379315 |
| 464369316 | G-1P-30S-G | 1 | 30 | 36.71 | 37.71 | 8.28 | 24.21 | 10 | 30 | 464379316 |
| 464369317 | G-2P-30S-G | 2 | 30 | 42.21 | 43.21 | 13.78 | 29.71 | 20 | 30 | 464379317 |
| 464369318 | G-3P-30S-G | 3 | 30 | 47.71 | 48.71 | 19.28 | 35.21 | 30 | 30 | 464379318 |
| 464369319 | G-4P-30S-G | 4 | 30 | 53.21 | 54.21 | 24.78 | 40.71 | 40 | 30 | 464379319 |
| 464369320 | G-5P-30S-G | 5 | 30 | 58.71 | 59.71 | 30.28 | 46.21 | 50 | 30 | 464379320 |

THIS DRAWING CONTAINS INFORMATION THAT IS PROPRIETARY TO MOLEX ELECTRONIC TECHNOLOGIES, LLC AND SHOULD NOT BE USED WITHOUT WRITTEN PERMISSION

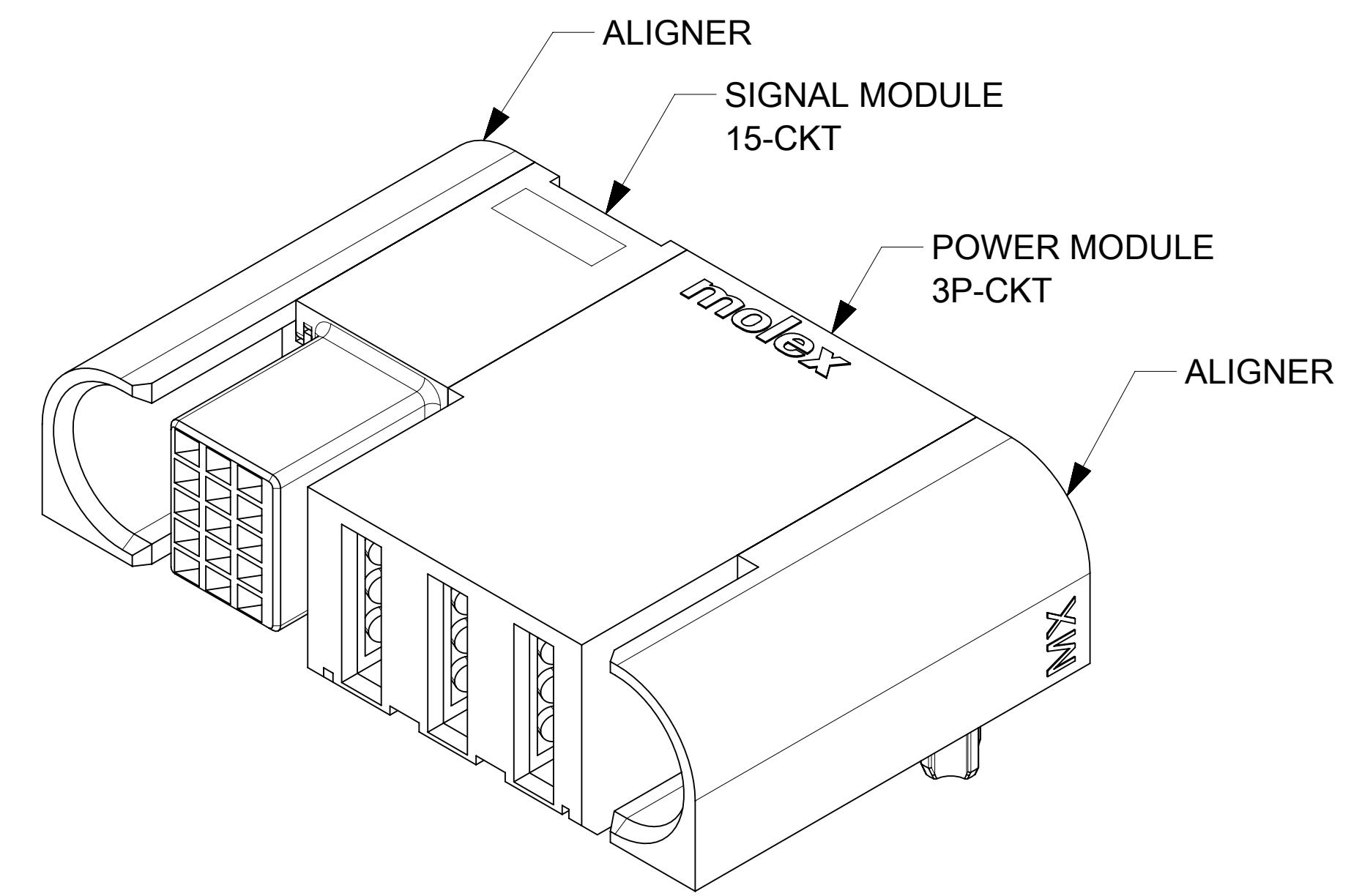
| | | | | | | |
|---|------------------------|--|---|-----------------|----------------|-----------------|
| DIMENSION UNITS mm | SCALE 4:1 | CURRENT REV DESC: ADDED ISOMETRIC VIEWS | | | | |
| GENERAL TOLERANCES (UNLESS SPECIFIED) | | | | | | |
| ANGULAR TOL | ± 0.5° | EC NO: 689821 | G-*P-*S-G R/A RECEP ASSY - TEN60 POWER FAMILY | | | |
| 4 PLACES | ± | DRWN: HARSHG 2021/12/13 | | | | |
| 3 PLACES | ± | CHK'D: GJEEVANSURES 2021/12/22 | PRODUCT CUSTOMER DRAWING | | | |
| 2 PLACES | ± 0.13 | APPR: HTHYAGARAJ 2022/02/14 | | | | |
| 1 PLACE | ± 0.25 | INITIAL REVISION: | DOCUMENT NUMBER 464369320 | | | |
| 0 PLACES | ± | DRWN: KSUTAR 2021/08/11 APPR: HTHYAGARAJ 2021/10/21 | | | | DOC TYPE PSD |
| DRAFT WHERE APPLICABLE MUST REMAIN WITHIN DIMENSIONS | THIRD ANGLE PROJECTION | DRAWING | SERIES | MATERIAL NUMBER | CUSTOMER | SHEET NUMBER |
| | | D-SIZE | 46436 | SEE TABLE | GENERAL MARKET | 2 OF 4 |



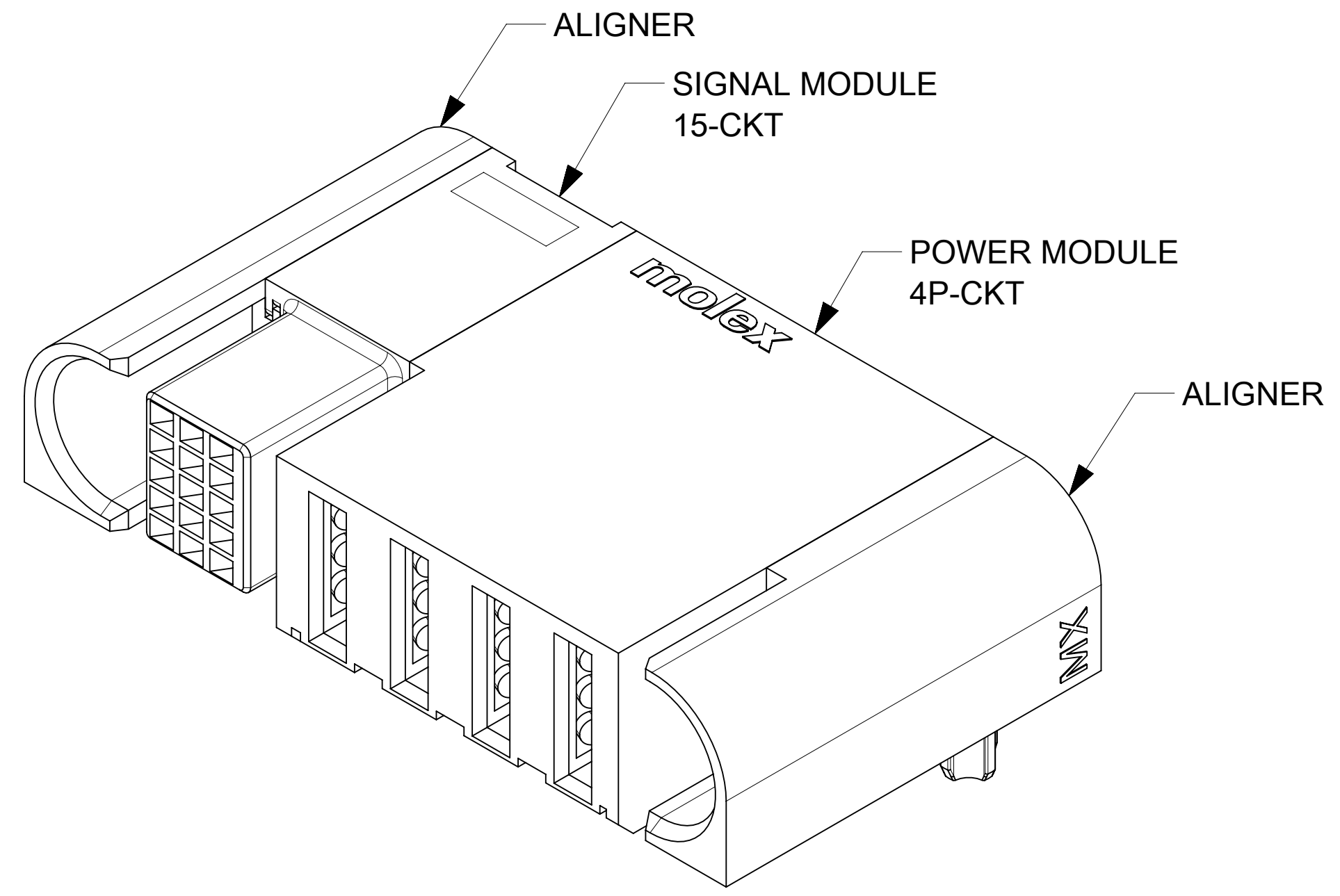
P/N : 46436-9311 (G-1P-15S-G)



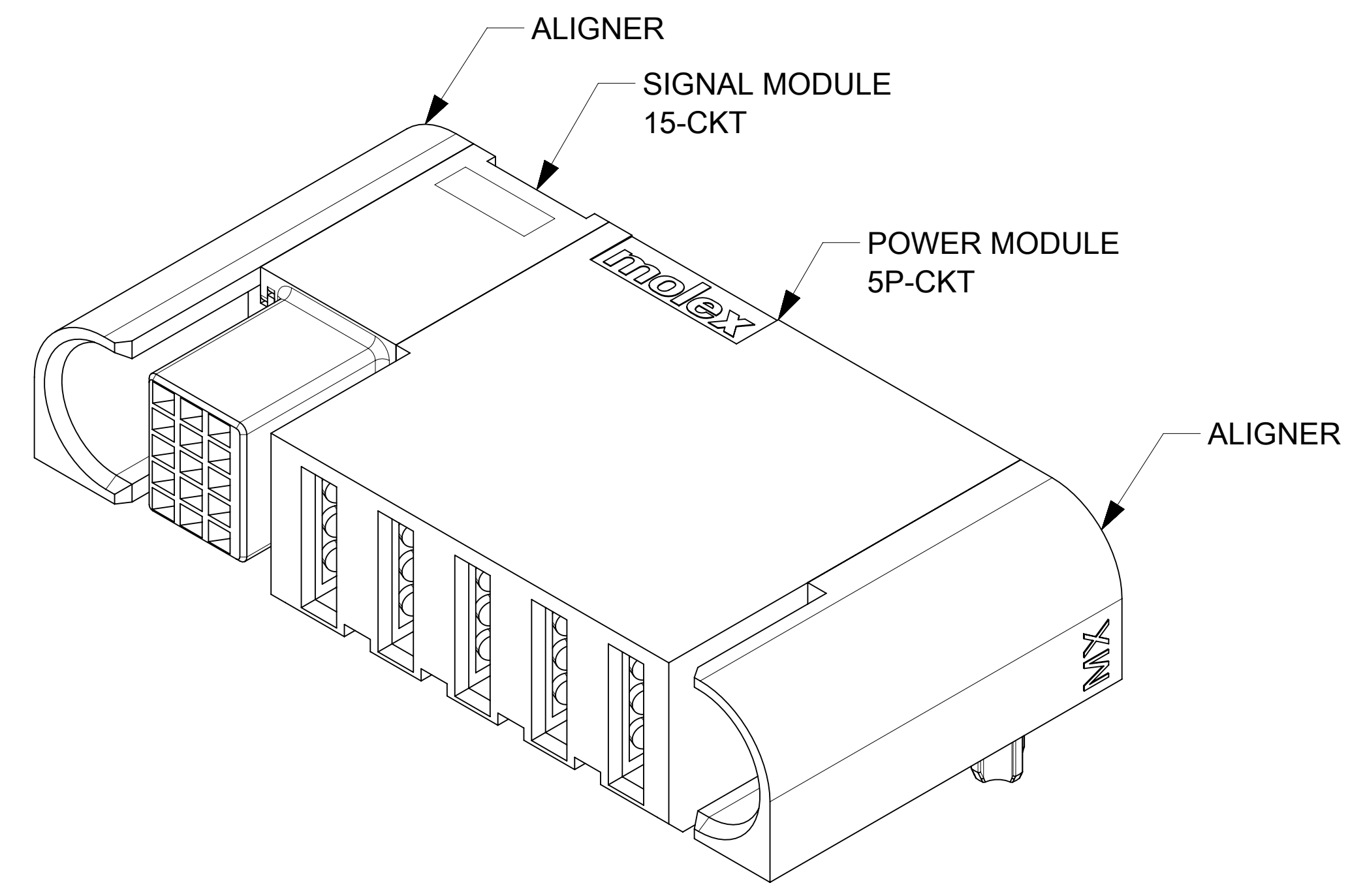
P/N : 46436-9312 (G-2P-15S-G)



P/N : 46436-9313 (G-3P-15S-G)



P/N : 46436-9314 (G-4P-15S-G)



P/N : 46436-9315 (G-5P-15S-G)

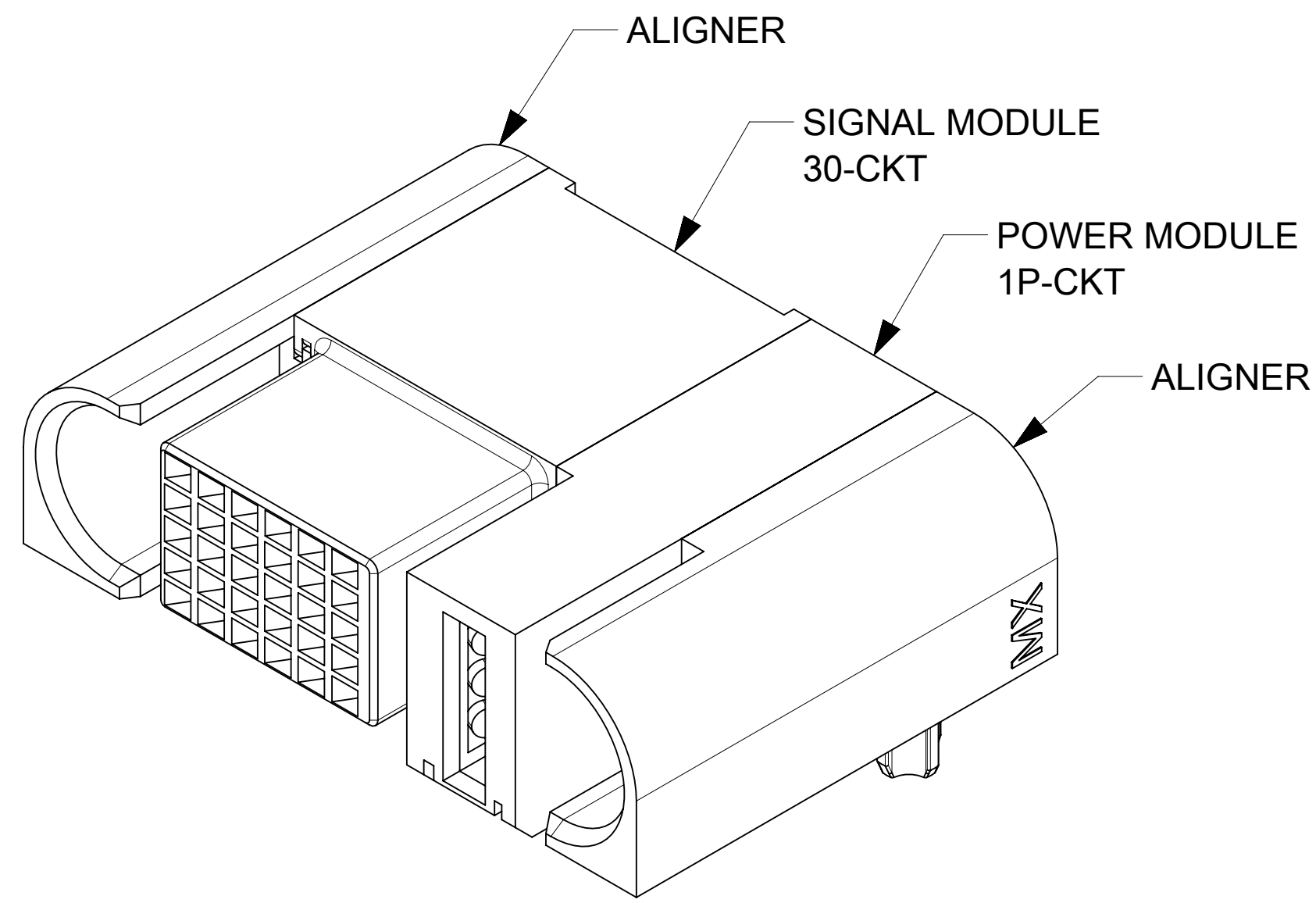
| | | | | | | | | | | | |
|---|--|--------|--|---|--|----------------|--|------------|--|-----------------|--|
| THIS DRAWING CONTAINS INFORMATION THAT IS PROPRIETARY TO MOLEX ELECTRONIC TECHNOLOGIES, LLC AND SHOULD NOT BE USED WITHOUT WRITTEN PERMISSION | | | | | | | | | | | |
| DIMENSION UNITS | | SCALE | | CURRENT REV DESC: ADDED ISOMETRIC VIEWS | | | | | | | |
| mm | | 4:1 | | | | | | | | | |
| GENERAL TOLERANCES (UNLESS SPECIFIED) | | | | | | | | | | | |
| ANGULAR TOL ± 0.5° | | | | | | | | | | | |
| 4 PLACES ± | | | | EC NO: 689821 | | | | | | | |
| 3 PLACES ± | | | | DRWN: HARSHG | | | | 2021/12/13 | | | |
| 2 PLACES ± 0.13 | | | | CHK'D: GJEEVANSURES | | | | 2021/12/22 | | | |
| 1 PLACE ± 0.25 | | | | APPR: HTHYAGARAJ | | | | 2022/02/14 | | | |
| 0 PLACES ± | | | | INITIAL REVISION: | | | | | | | |
| | | | | DRWN: KSUTAR | | | | 2021/08/11 | | | |
| | | | | APPR: HTHYAGARAJ | | | | 2021/10/21 | | | |
| DRAFT WHERE APPLICABLE MUST REMAIN WITHIN DIMENSIONS | | | | THIRD ANGLE PROJECTION | | DRAWING | | SERIES | | MATERIAL NUMBER | |
| | | D-SIZE | | 46436 | | SEE TABLE | | CUSTOMER | | SHEET NUMBER | |
| | | | | | | GENERAL MARKET | | | | 3 OF 4 | |

molex

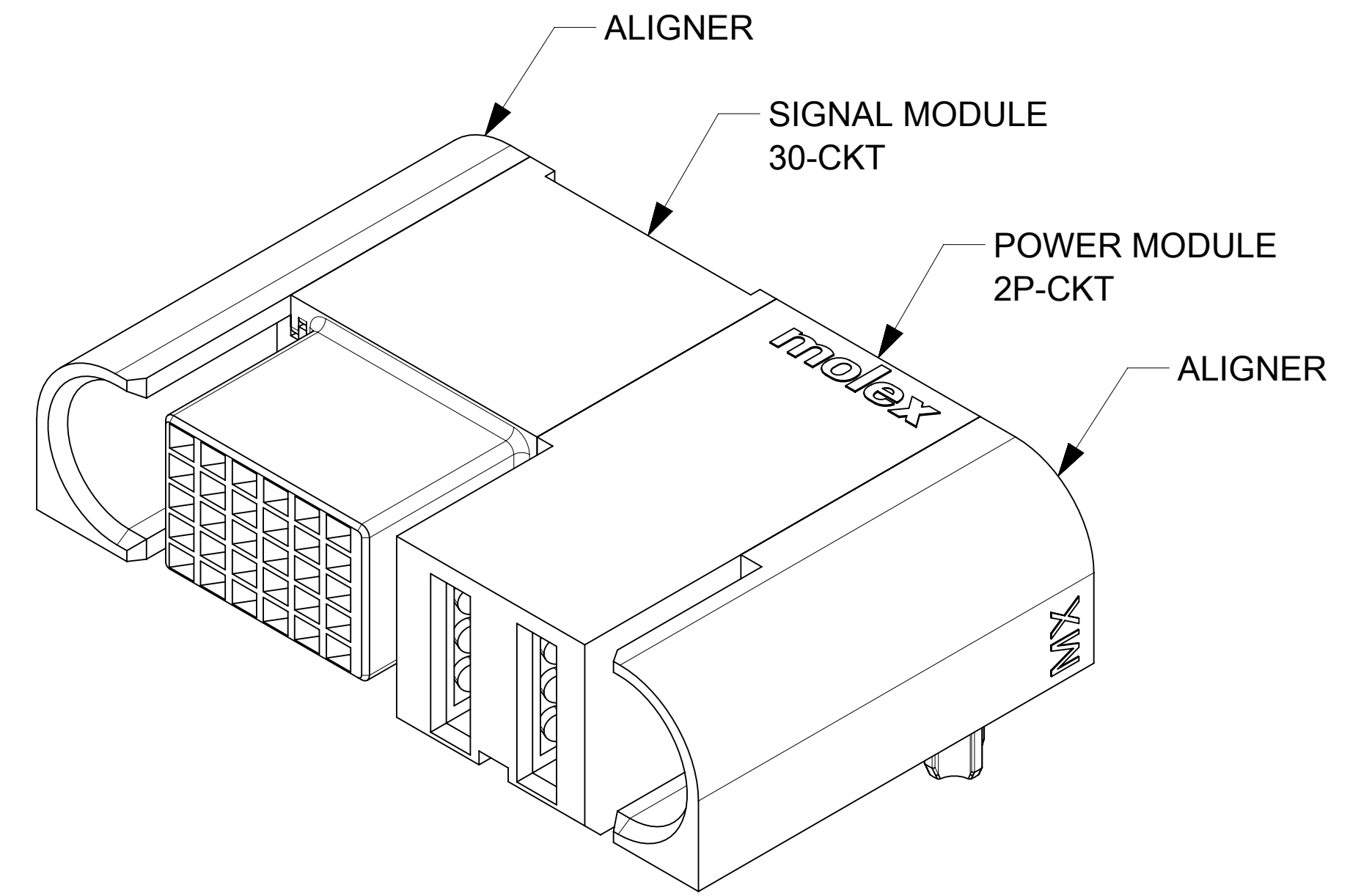
G-*P-*S-G
R/A RECEP ASSY - TEN60 POWER FAMILY

PRODUCT CUSTOMER DRAWING

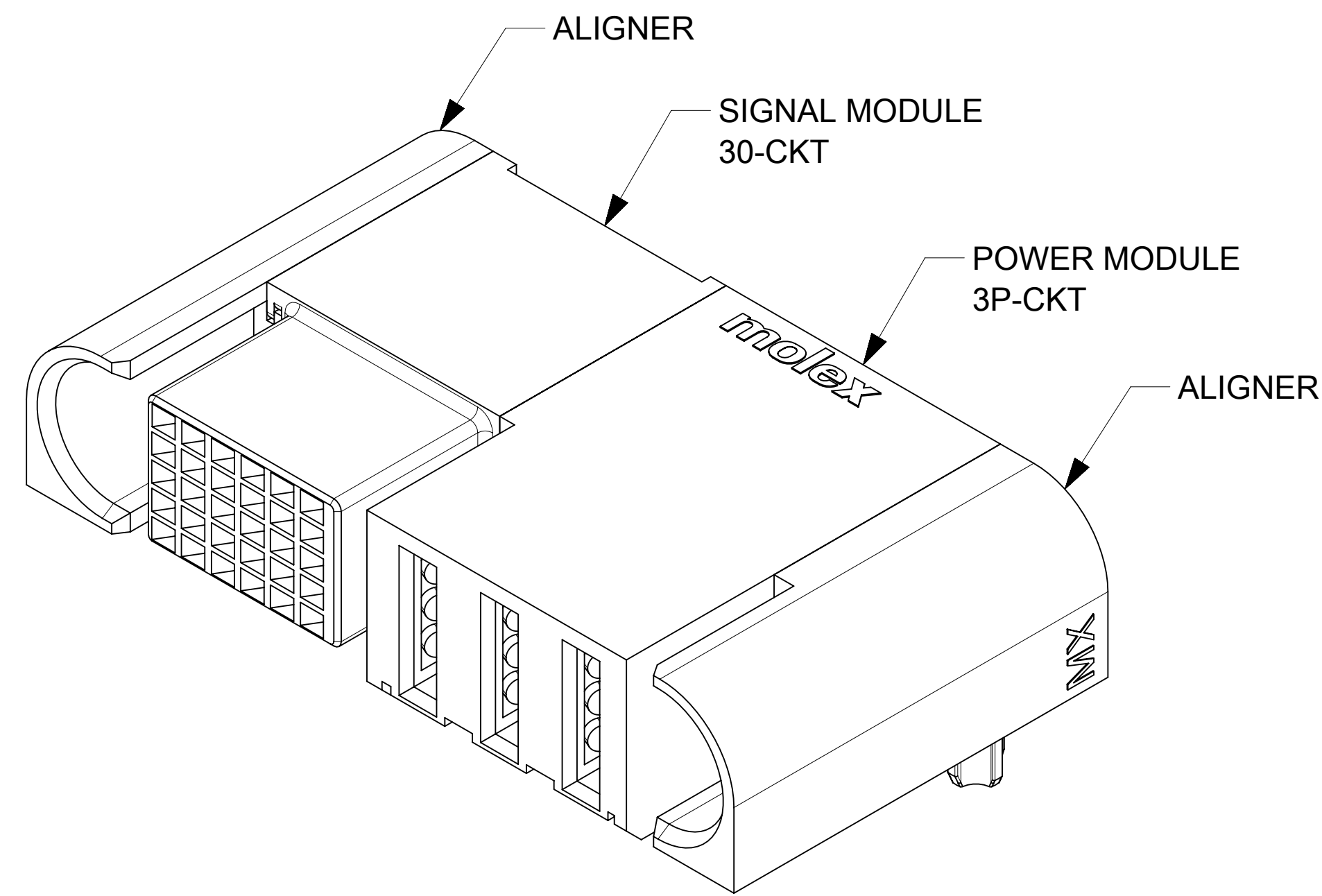
| | | | |
|-----------------|----------|----------|----------|
| DOCUMENT NUMBER | DOC TYPE | DOC PART | REVISION |
| 464369320 | PSD | 000 | A1 |



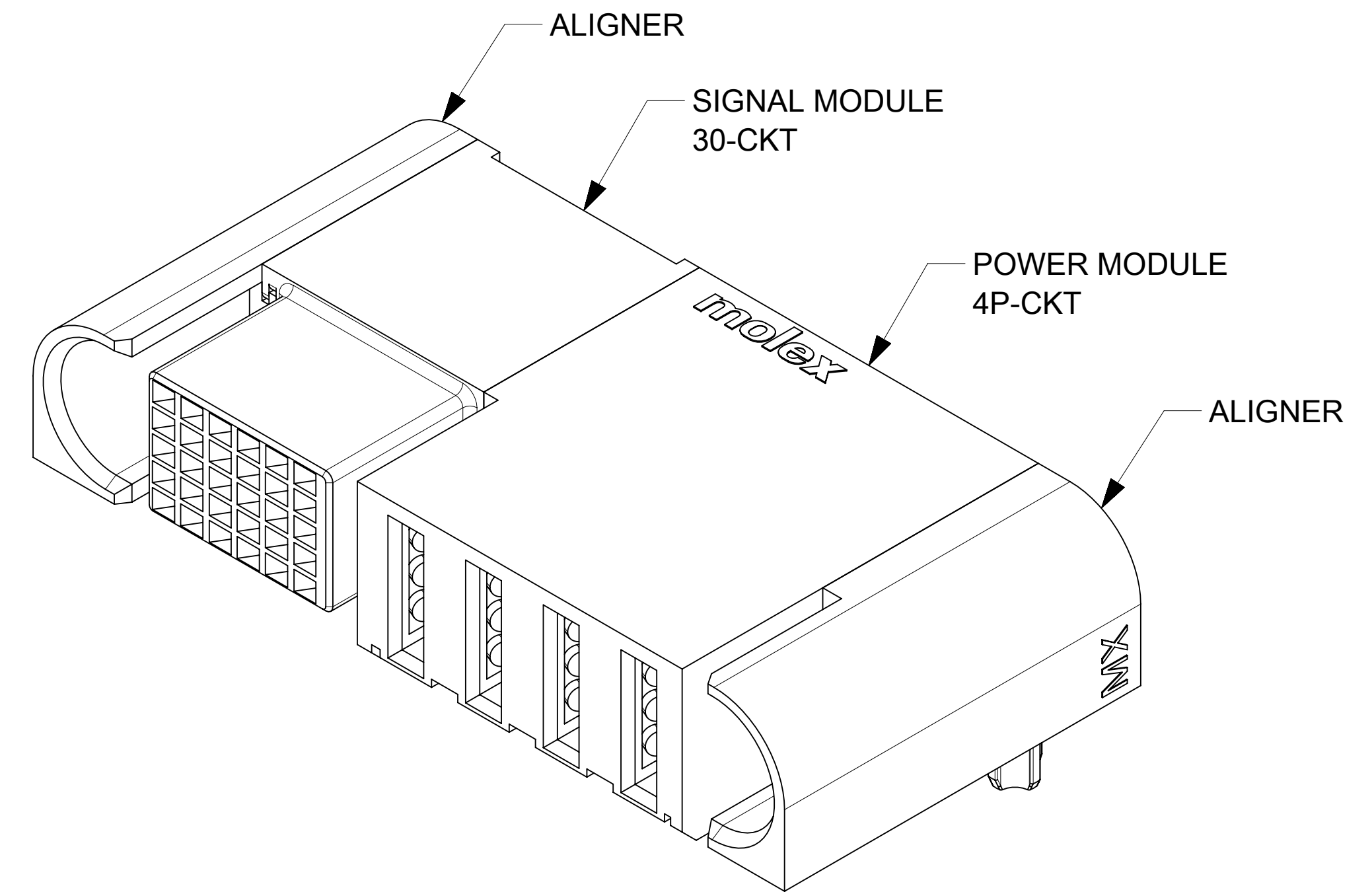
P/N : 46436-9316 (G-1P-30S-G)





P/N : 46436-9317 (G-2P-30S-G)



P/N : 46436-9318 (G-3P-30S-G)



P/N : 46436-9319 (G-4P-30S-G)

| | | | | | | | | | | | |
|---|--|-------|--|---|--|------------|--|---|--|---|--|
| THIS DRAWING CONTAINS INFORMATION THAT IS PROPRIETARY TO MOLEX ELECTRONIC TECHNOLOGIES, LLC AND SHOULD NOT BE USED WITHOUT WRITTEN PERMISSION | | | | | | | | | | | |
| DIMENSION UNITS | | SCALE | | CURRENT REV DESC: ADDED ISOMETRIC VIEWS | | | | | |  | |
| mm | | 4:1 | | | | | | | | | |
| GENERAL TOLERANCES (UNLESS SPECIFIED) | | | | EC NO: 689821 | | 2021/12/13 | | G-*P-*S-G R/A RECEP ASSY - TEN60 POWER FAMILY | | | |
| ANGULAR TOL ± 0.5° | | | | DRWN: HARSHG | | 2021/12/22 | | | | | |
| 4 PLACES ± | | | | CHK'D: GJEEVANSURES | | 2022/02/14 | | PRODUCT CUSTOMER DRAWING DOCUMENT NUMBER: 464369320 DOC TYPE: PSD DOC PART: 000 REVISION: A1 | | | |
| 3 PLACES ± | | | | APPR: HTHYAGARAJ | | | | | | | |
| 2 PLACES ± 0.13 | | | | INITIAL REVISION: | | | | MATERIAL NUMBER: SEE TABLE CUSTOMER: GENERAL MARKET SHEET NUMBER: 4 OF 4 | | | |
| 1 PLACE ± 0.25 | | | | DRWN: KSUTAR | | 2021/08/11 | | | | | |
| 0 PLACES ± | | | | APPR: HTHYAGARAJ | | 2021/10/21 | | | | | |
| DRAFT WHERE APPLICABLE MUST REMAIN WITHIN DIMENSIONS | | | | THIRD ANGLE PROJECTION | | DRAWING | | SERIES | | | |
| | | | |  | | D-SIZE | | 46436 | | | |